

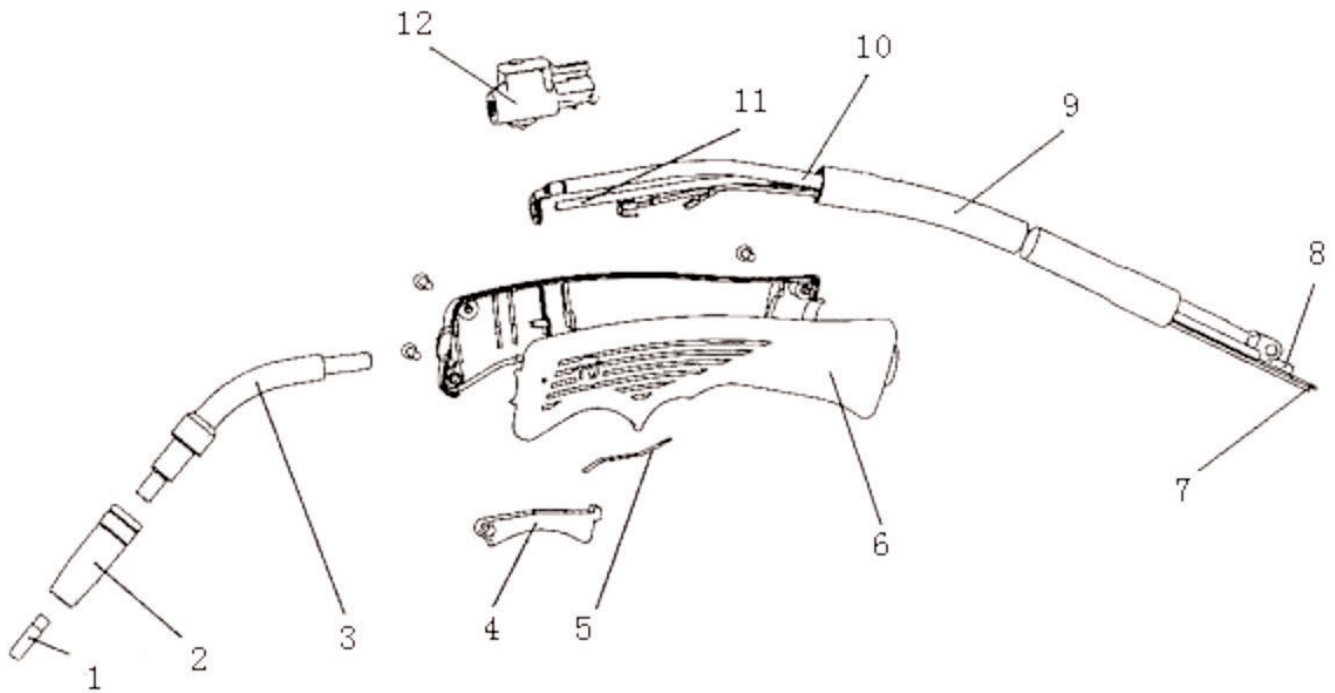
Item	Part No.	Description
1	S0771.01	PANEL,LEFT HAND SIDE
2	S0771.02	TENSION ADJUSTMENT KNOB
3	S0771.03	SPRING
4	S0771.04	SPOOL HOLDER TOP
5	S0771.05	SPOOL HOLDER BOTTOM
6	S0771.06	MIDDLE BOARD
7	SMIG130.07	BACK PANEL
8	SMIG130.08	BELT
9	SMIG130.09	GAS BOTTLE HOLDER
10	SMIG130.10	RECTIFIER
11	SMIG140.27	HANDLE FRAME
12	250XTD.09	THERMAL RELAY
13	SMIG130.13	FAN BLADE
14	SMIG150.V3-22	FAN MOTOR
15	SMIG150.V3-21	FAN BRACKET
16	S0771.16	RIGHT PANEL
17	SMIG130.17	TRANSFORMER

Item	Part No.	Description
18	SMIG130.18	BOTTOM PANEL
19	SMIG130.19	PCB
20	PMIG6035S.W25	POTENTIOMETER KNOB
21	S0771.21	FRONT PANEL
22	250XTD.28	CABLE HOLDER
23	SMIG150.V3-10	SWITCH II
24	MC3CX1.5	MAINS CABLE BLK, 3 CORE, 1.5MM2
25	SMIG130.25	EARTH CABLE & CLAMP (L:2m D:7.5mm)
26	M/MIG150.18	SWITCH
27	SMIG130.27	MIG TORCH
28	SMIG150.V3-07	TORCH HOLDER
29	SMIG130.29	INDICATOR
30	SMIG150.V3-17	PCB SUPPORT
31	SMIG150.V3-38	WIRE FEEDER
32	SMIG140.41	DOOR LOCK
33	REG/MM	MIG GAS REGULATOR DISPOSABLE CYLINDER NO
34	SMIG150.V3-19	CONTROL TRANSFORMER

NOTE: It is our policy to continually improve products and as such we reserve the right to alter data, specifications and component parts without prior notice.

IMPORTANT: No liability is accepted for incorrect use of product.

WARRANTY: Guarantee is 12 months from purchase date, proof of which will be required for any claim.



Item	Part No.	Description
1	MIG956	CONTACT TIP 0.6mm TB15 Pack of 5
	MIG957	CONTACT TIP 0.8mm TB15 Pack of 5
2	MIG955	CONICAL NOZZLE TB15 Pack of 3
3	SMIG150.V3-8C	SWAN NECK
--	120/722319	SPRING for NOZZLE TB15 (NOT SHOWN)
4	SMIG130.27-4	SWITCH
5	SMIG130.27-5	SWITCH CONTACT PLATE
6	SMIG130.27-6	TORCH HANDLE

Item	Part No.	Description
7	SMIG130.27-7	CONTROL CABLE
8	SMIG130.27-8	GAS HOSE 7mm x 9mm x 2800mm
9	SMIG130.27-9	PROTECTION TUBE
10	SMIG130.27-10	MAIN CABLE
11	SMIG130.27-11	LINER
12	SMIG150.V3-8L	GAS VALVE
--	SMIG130.27-13	HANDLE SCREW (NOT SHOWN)

NOTE: It is our policy to continually improve products and as such we reserve the right to alter data, specifications and component parts without prior notice.

IMPORTANT: No liability is accepted for incorrect use of product.

WARRANTY: Guarantee is 12 months from purchase date, proof of which will be required for any claim.