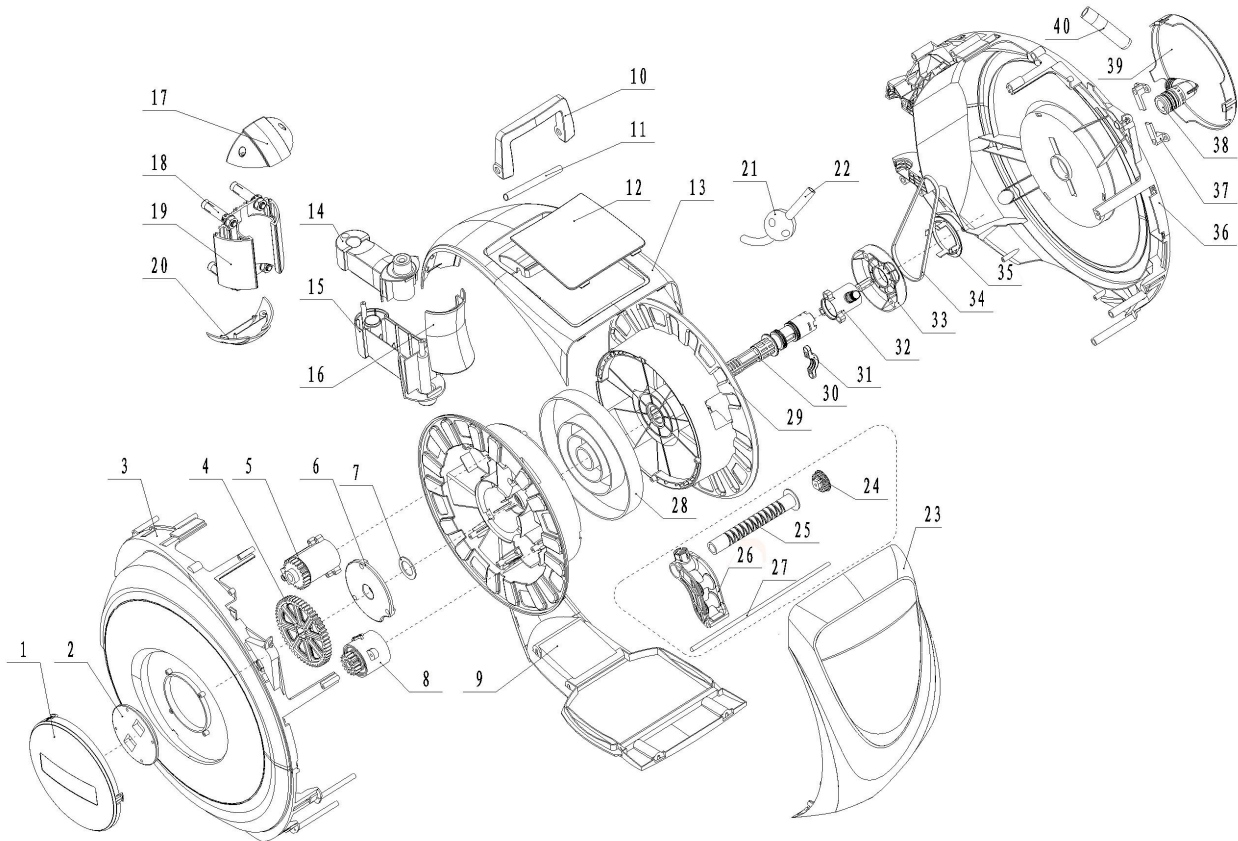


## Parts Information: Auto Rewind Control Garden Hose Reel 30mtr Model No: RWH15.V3



Item	Part No.	Description
1	RWH15.V3-01	SIDE COVER (LEFT)
2	RWH15.V3-02	TENSION COVER
3	RWH15.V3-03	LEFT SIDE CASING
4	RWH15.V3-04	GEAR
5	RWH15.V3-05	RETRACTING ASS'Y (SMALL GEAR)
6	RWH15.V3-06	SUPPORT COVER
7	RWH15.V3-07	GASKET
8	RWH15.V3-08	LOCKABLE DEVICE (LARGE GEAR)
9	RWH15.V3-09	BOTTOM CASING
10	RWH15.V3-10	HANDLE
11	RWH15.V3-11	HANDLE SHAFT
12	RWH15.V3-12	TOP COVER
13	RWH15.V3-13	TOP CASING
14	SA824.14	UPPER SWIVEL COVER
15	SA824.15	LOWER SWIVEL COVER
16	RWH15.V3-16	COVER FOR SWIVEL
17	RWH15.V3-17	WALL BRACKET COVER (TOP)
18	RWH15.V3-18	BOLT
19	RWH15.V3-19	WALL BRACKET
20	RWH15.V3-20	BRACKET COVER (BOTTOM)
21	RWH15.V3-21	STOP BALL

Item	Part No.	Description
22	RWH15.V3-22	HOSE
23	RWH15.V3-23	FRONT COVER - GREEN
24	RWH15.V3-24	GEAR WHEEL
25	RWH15.V3-25	SCREW
26	RWH15.V3-26	MOUNTING RACK ASS'Y
27	RWH15.V3-27	SHAFT FOR RACKING ASS'Y
28	RWH15.V3-28	MAIN SPRING
29	RWH15.V3-29	DRUM ASSEMBLY
30	RWH15.V3-30	MAIN SHAFT
31	RWH15.V3-31	CLAMP
32	RWH15.V3-32	OUTLET CONNECTOR
33	RWH15.V3-33	WHEEL CAP
34	RWH15.V3-34	BELT,RIBBED
35	RWH15.V3-35	FIXED GUARD
36	RWH15.V3-36	RIGHT SIDE CASING
37	RWH15.V3-37	SHAFT STATOR
38	RWH15.V3-38	INLET CONNECTOR
39	RWH15.V3-39	RIGHT COVER
40	RWH15.V3-40	INLET HOSE
--	RWH15.V3-FK	FIXING KIT (SCREWS ETC.) (NOT SHOWN)

**NOTE:** It is our policy to continually improve products and as such we reserve the right to alter data, specifications and component parts without prior notice.

**IMPORTANT:** No liability is accepted for incorrect use of product.

**WARRANTY:** Guarantee is 12 months from purchase date, proof of which will be required for any claim.