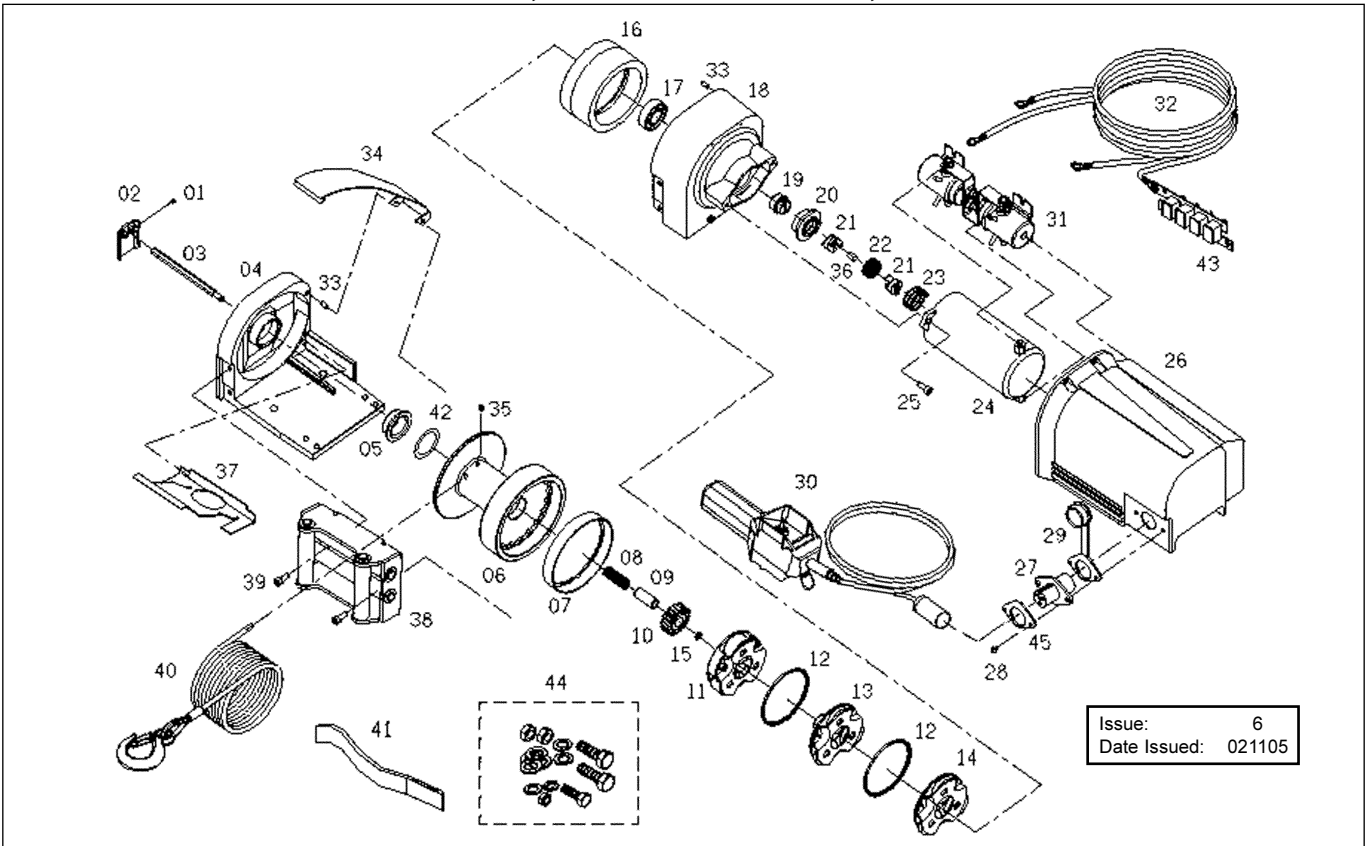




PARTS LIST FOR:

12 & 24V ELECTRIC POWER WINCHES

**Models: RW2500/12.V2, RW3500/12.V2, RW4500/12.V2,
RW2500/24.V2, RW3500/24.V2, RW4500/24.V2**



PLEASE NOTE : The part numbers are generic, exceptionally item nos. 24,31,40 and 43 are specific for each model

ITEM	PART No.	DESCRIPTION	ITEM	PART No.	DESCRIPTION
1	RW2500.V2-01	Split Pin	28	RW2500.V2-28	Hex. Screw
2	RW2500.V2-02	Clutch Lever	29	RW2500.V2-29	Plug
3	RW2500.V2-03	Clutch Pole	30	RW2500.V2-30	Remote Switch Assembly
4	RW2500.V2-04	Base Plate	31	RW2500.V2-31A	12V Solenoid Control Assembly
5	RW2500.V2-05	Packing (C)		RW2500.V2-31B	24V Solenoid Control Assembly
6	RW2500.V2-06	Drum		RW3500.V2-31A	12V Solenoid Control Assembly
7	RW2500.V2-07	Packing (B)		RW3500.V2-31B	24V Solenoid Control Assembly
8	RW2500.V2-08	Pressed Spring (A)		RW4500.V2-31A	12V Solenoid Control Assembly
9	RW2500.V2-09	Sleeve		RW4500.V2-31B	24V Solenoid Control Assembly
10	RW2500.V2-10	Clutch Gear	32	RW2500.V2-32	Battery Cable
11	RW2500.V2-11	3rd Stage Carrier	33	RW2500.V2-33	Pin
12	RW2500.V2-12	Packing (A)	34	RW2500.V2-34	Drum Cover
13	RW2500.V2-13	2nd Stage Carrier	35	RW2500.V2-35	Hex. Screw
14	RW2500.V2-14	1st Stage Carrier	36	RW2500.V2-36	Position Pin
15	RW2500.V2-15	Self Locking Ring	37	RW2500.V2-37	Pressed Spring
16	RW2500.V2-16	Inner Gear	38	RW2500.V2-38	Four Way Fairlead
17	RW2500.V2-17	Bearing 6004ZZ	39	RW2500.V2-39	Hex Screw
18	RW2500.V2-18	Gear Box	40	RW2500.V2-40A	RW2500/12 Wire Rope Assembly
19	RW2500.V2-19	1st Shaft		RW2500.V2-40B	RW2500/24 Wire Rope Assembly
20	RW2500.V2-20	Brake Base		RW3500.V2-40A	RW3500/12 Wire Rope Assembly
21	RW2500.V2-21	Connection Base		RW3500.V2-40B	RW3500/24 Wire Rope Assembly
22	RW2500.V2-22	Brake Spring		RW4500.V2-40B	RW4500/48 Wire Rope Assembly.
23	RW2500.V2-23	Pressed Spring	41	RW2500.V2-41	Handsaver
24	RW2500.V2-24A	12V Motor	42	RW2500.V2-42	Washer
	RW2500.V2-24B	24V Motor	43	RW2500.V2-43A	12V Circuit breaker Assembly
	RW3500.V2-24A	12V Motor		RW2500.V2-43B	24V Circuit breaker Assembly
	RW3500.V2-24B	24V Motor		RW3500.V2-43A	12V Circuit breaker Assembly
	RW4500.V2-24A	12V Motor		RW3500.V2-43B	24V Circuit breaker Assembly
	RW4500.V2-24B	24V Motor		RW4500.V2-43A	12V Circuit breaker Assembly
25	RW2500.V2-25	Hex. Screw		RW4500.V2-43B	24V Circuit breaker Assembly
26	RW2500.V2-26	Rear Cover	44	RW2500.V2-44	Mounting Hardware
27	RW2500.V2-27	Socket	45	RW2500.V2-45	Switch Washer



Sole UK Distributor,
Sealey Group, Bury St. Edmunds, Suffolk.

01284 757500

01284 703534

sales@sealey.co.uk

www.sealey.co.uk