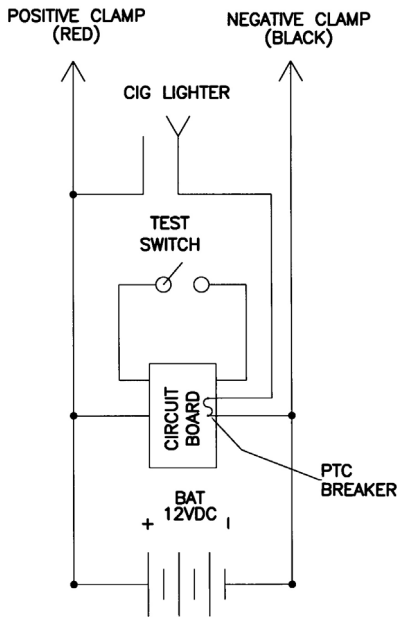
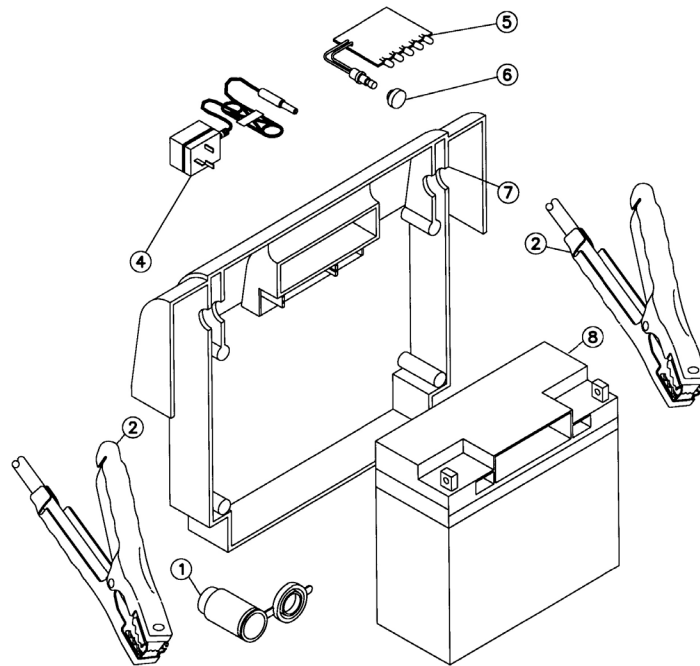
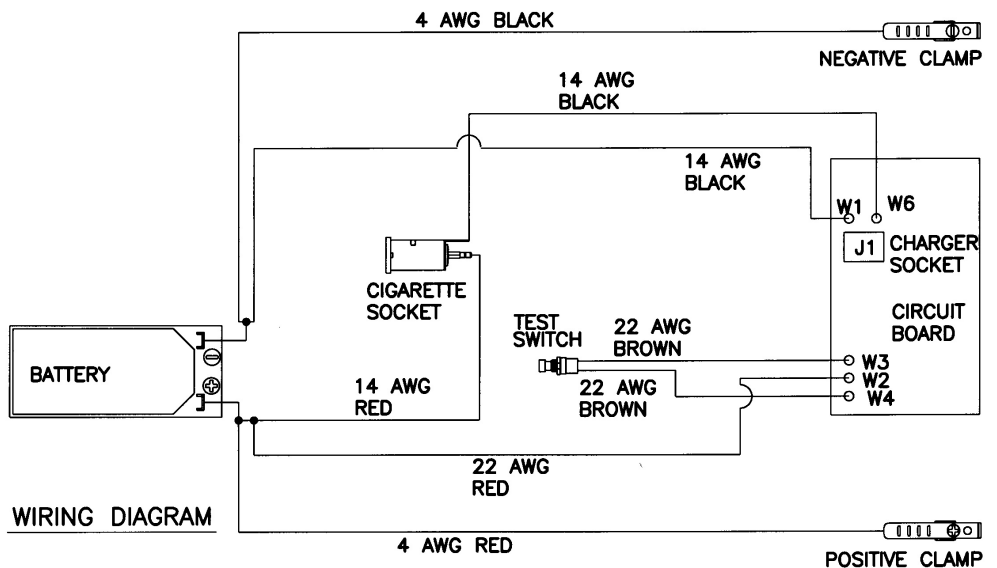




Parts Information:
RoadStart® Emergency Power Pack 12V
850 Peak Amps
Model No: RS850



SCHEMATIC DIAGRAM



WIRING DIAGRAM

Item	Part No.	Description
1	C/246417666	Cigarette Lighter Socket With Cap (12V Version)
2	C/132109000	Pos & Neg Cables With Clamps
4	RS850C	Charger, 500MA

Item	Part No.	Description
5	C/865882666	PCB
6	C/312253000	Button For Test Switch
7	C/132108000	Front & Rear Case W/ Labels And Screws
8	C/235008666	Battery 200A

NOTE: It is our policy to continually improve products and as such we reserve the right to alter data, specifications and component parts without prior notice.

IMPORTANT: No liability is accepted for incorrect use of product.

WARRANTY: Guarantee is 12 months from purchase date, proof of which will be required for any claim.

Sealey Group, Kempson Way, Suffolk Business Park, Bury St Edmunds, Suffolk. IP32 7AR



01284 757500



01284 703534



sales@sealey.co.uk



www.sealey.co.uk