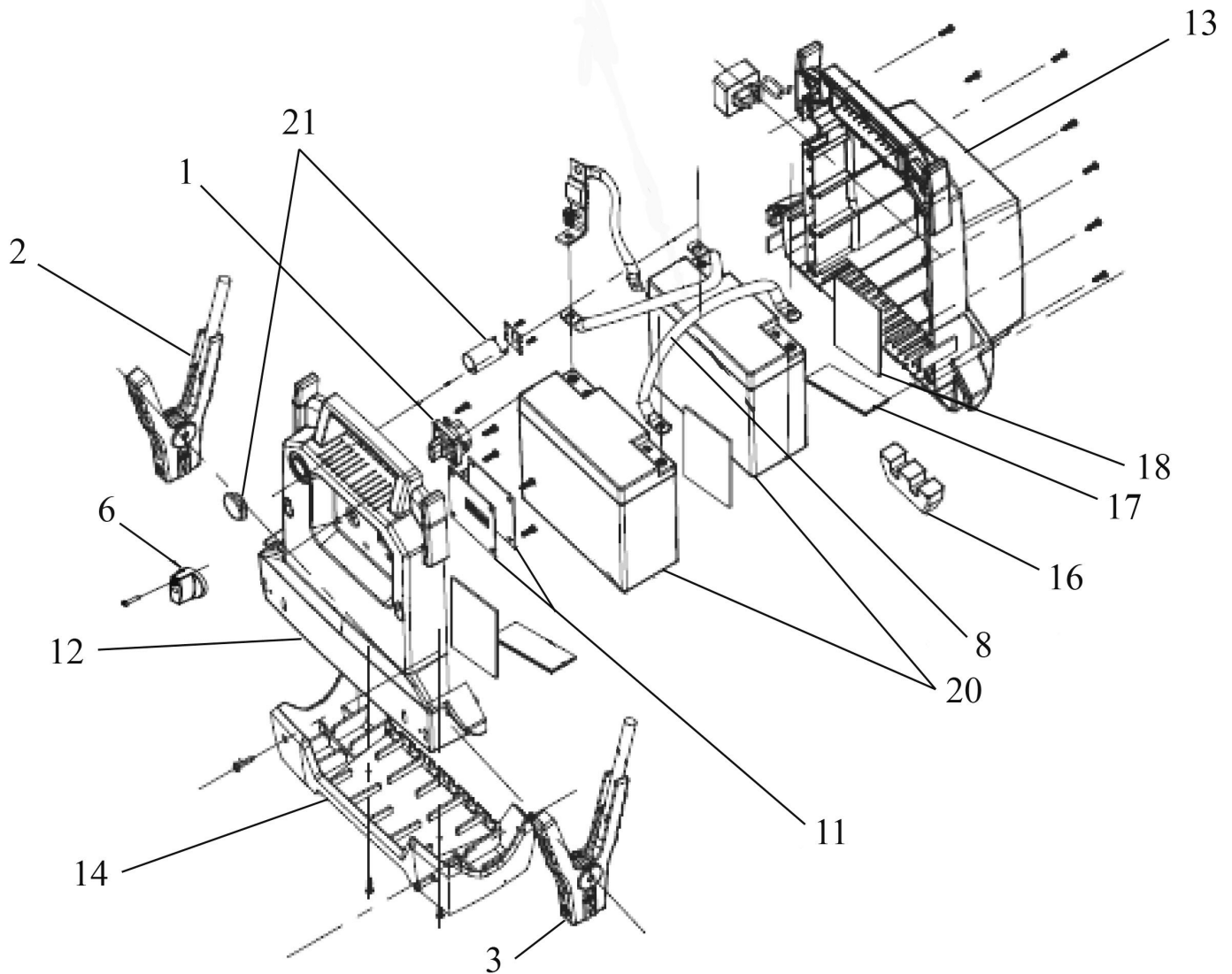




Parts Information:
RoadStart® Emergency Power Pack 12V
4400 Peak Amps
Model No: RS21203



Item	Part No.	Description
1	PBI1812S.14	SWITCH ON/OFF
2	RS21224.02	POSITIVE (RED) CABLE & CLAMP
3	RS21224.03	NEGATIVE (BLACK) CABLE & CLAMP
--	RS21203.05	LABEL, FACEPLATE (NOT SHOWN)
6	RS21203.06	SWITCH KNOB
7	RS21224.07	FUSE AMG HEAVY DUTY 500AH
8	RS21224.08	BATTERY CABLE 3.5" (BLK)
11	RS21203.22	CONTROL BOARD WITH FAN
12	RS21224.12	FRONT PANEL
13	RS21203.13	BACK COVER
14	RS21224.14	BUMPER BASE

Item	Part No.	Description
--	PBI.C	CHARGER FOR PBI MODELS (2A 12V) (NOT SHOWN)
16	RS21224.16	RUBBER BUMPER
17	RS21224.17	TAPE (97x25x5mm)
18	RS21224.18	TAPE (120x120x2mm)
--	RS21224.19	BATTERY CLAMP REBUILD KIT (NOT SHOWN)
20	RS21224.20	BATTERY 16AH 12V
21	RS21224.21	DC ADAPTOR ASS'Y
--	PBI.C	CHARGER FOR PBI MODELS (2A 12V) (NOT SHOWN)
--	PBI4424S.59	PLASTIC FUSIBLE LINK COVER (NOT SHOWN)

NOTE: It is our policy to continually improve products and as such we reserve the right to alter data, specifications and component parts without prior notice.

IMPORTANT: No liability is accepted for incorrect use of product.

WARRANTY: Guarantee is 12 months from purchase date, proof of which will be required for any claim.

Sealey Group, Kempson Way, Suffolk Business Park, Bury St Edmunds, Suffolk. IP32 7AR



01284 757500



01284 703534



sales@sealey.co.uk



www.sealey.co.uk