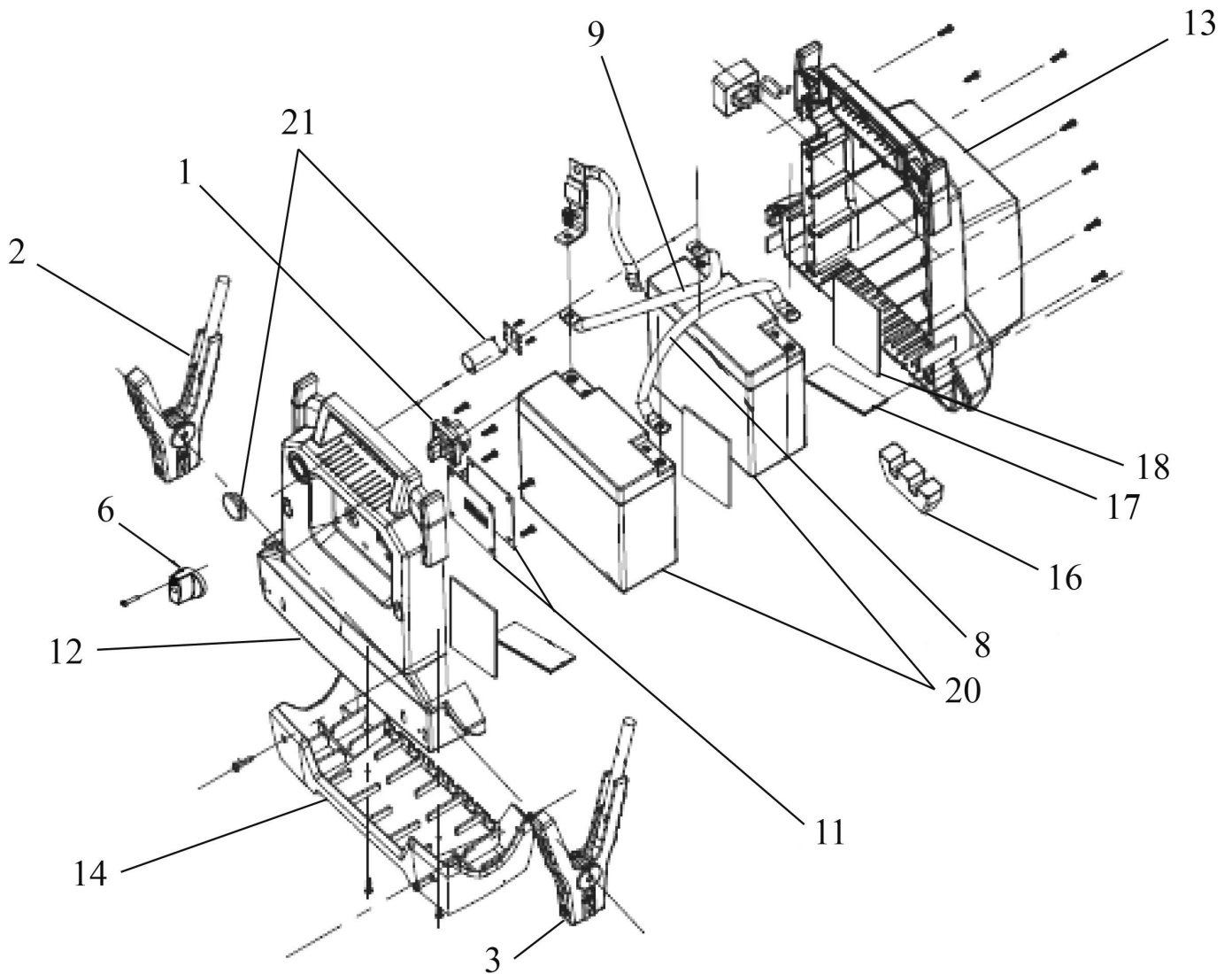




Parts Information:
RoadStart® Emergency Power Pack 24V
3800 Peak Amps
Model No: RS20024



Item	Part No.	Description
1	RS21224.01	SWITCH 12/24V
2	RS21224.02	POSITIVE (RED) CABLE & CLAMP
3	RS21224.03	NEGATIVE (BLACK) CABLE & CLAMP
--	RS20024.05	LABEL, FACEPLATE (NOT SHOWN)
6	RS21224.06	SWITCH KNOB
--	RS21224.07	FUSE AMG HEAVY DUTY 500AH (NOT SHOWN)
8	RS21224.08	BATTERY CABLE 3.5" (BLK)
9	RS21224.09	BATTERY CABLE 7.5" (BLK)
11	RS21203.22	CONTROL BOARD WITH FAN
12	RS21224.12	FRONT PANEL

Item	Part No.	Description
13	RS21224.13	BACK COVER
14	RS21224.14	BUMPER BASE
--	PBI.C	CHARGER FOR PBI MODELS (2A 12V) (NOT SHOWN)
16	RS21224.16	RUBBER BUMPER
17	RS21224.17	TAPE (97x25x5mm)
18	RS21224.18	TAPE (120x120x2mm)
--	RS21224.19	BATTERY CLAMP REBUILD KIT (NOT SHOWN)
20	RS21224.20	BATTERY 16AH 12V
21	RS21224.21	DC ADAPTOR ASS'Y
--	PBI.C	CHARGER FOR PBI MODELS (2A 12V) (NOT SHOWN)

NOTE: It is our policy to continually improve products and as such we reserve the right to alter data, specifications and component parts without prior notice.

IMPORTANT: No liability is accepted for incorrect use of product.

WARRANTY: Guarantee is 12 months from purchase date, proof of which will be required for any claim.

Sealey Group, Kempson Way, Suffolk Business Park, Bury St Edmunds, Suffolk. IP32 7AR



01284 757500



01284 703534



sales@sealey.co.uk



www.sealey.co.uk