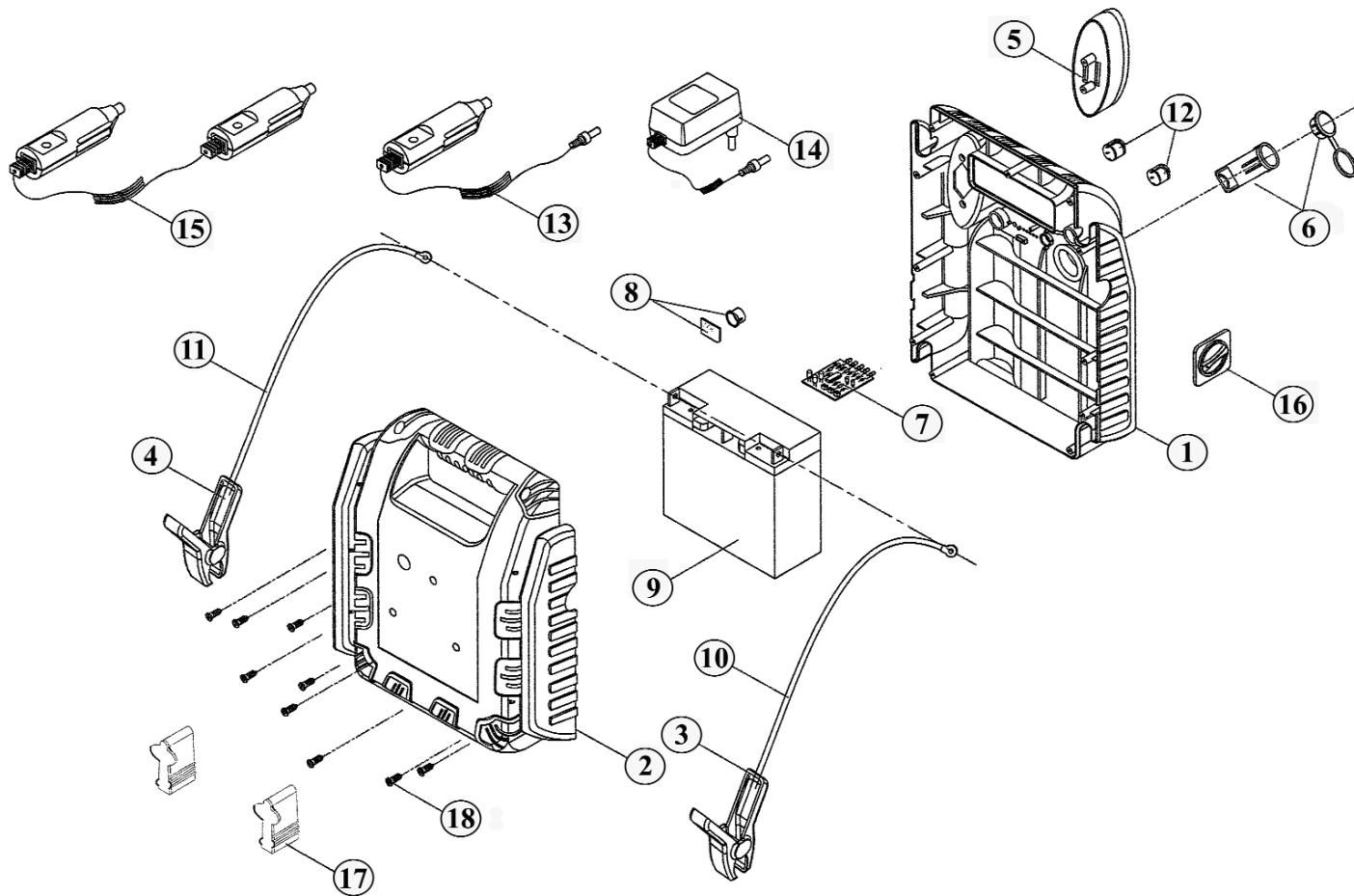




Parts Information:  
**RoadStart® Emergency Jump Starter 12V**  
**900 Peak Amps**  
**Model No: RS131.V3**



Item	Part No.	Description
1	P-74501	FRONT BODY
2	P-74502	BACK BODY
3	P-89504	CLAMP (POSITIVE)
4	P-89505	CLAMP (NEGATIVE)
5	P-89506	WORK LIGHT ASS'Y
6	P-89507	12 VOLT OUTLET ASS'Y
7	B-74501	MAIN PCB
8	B-74502	PCB
9	RS1/B	BATTERY 12V 17 AH

Item	Part No.	Description
10	E-89502	CABLE (POSITIVE) ASS'Y (INC CLAMP)
11	E-89503	CABLE (NEGATIVE) ASS'Y (INC CLAMP)
12	E-89504	SWITCH
13	E-89506	DC CHARGER ASS'Y (CAR)
14	E-89505	AC CHARGER (MAINS) 12V 500MA
15	E-89507	DC EXTENSION CORD
16	P-74507	MAIN SWITCH
17	P-74508	CLAMP HOLDER
18	P-SCREW	SCREW (3x15)

**NOTE:** It is our policy to continually improve products and as such we reserve the right to alter data, specifications and component parts without prior notice.

**IMPORTANT:** No liability is accepted for incorrect use of product.

**WARRANTY:** Guarantee is 12 months from purchase date, proof of which will be required for any claim.

Sealey Group, Kempson Way, Suffolk Business Park, Bury St Edmunds, Suffolk. IP32 7AR



01284 757500



01284 703534



sales@sealey.co.uk



www.sealey.co.uk