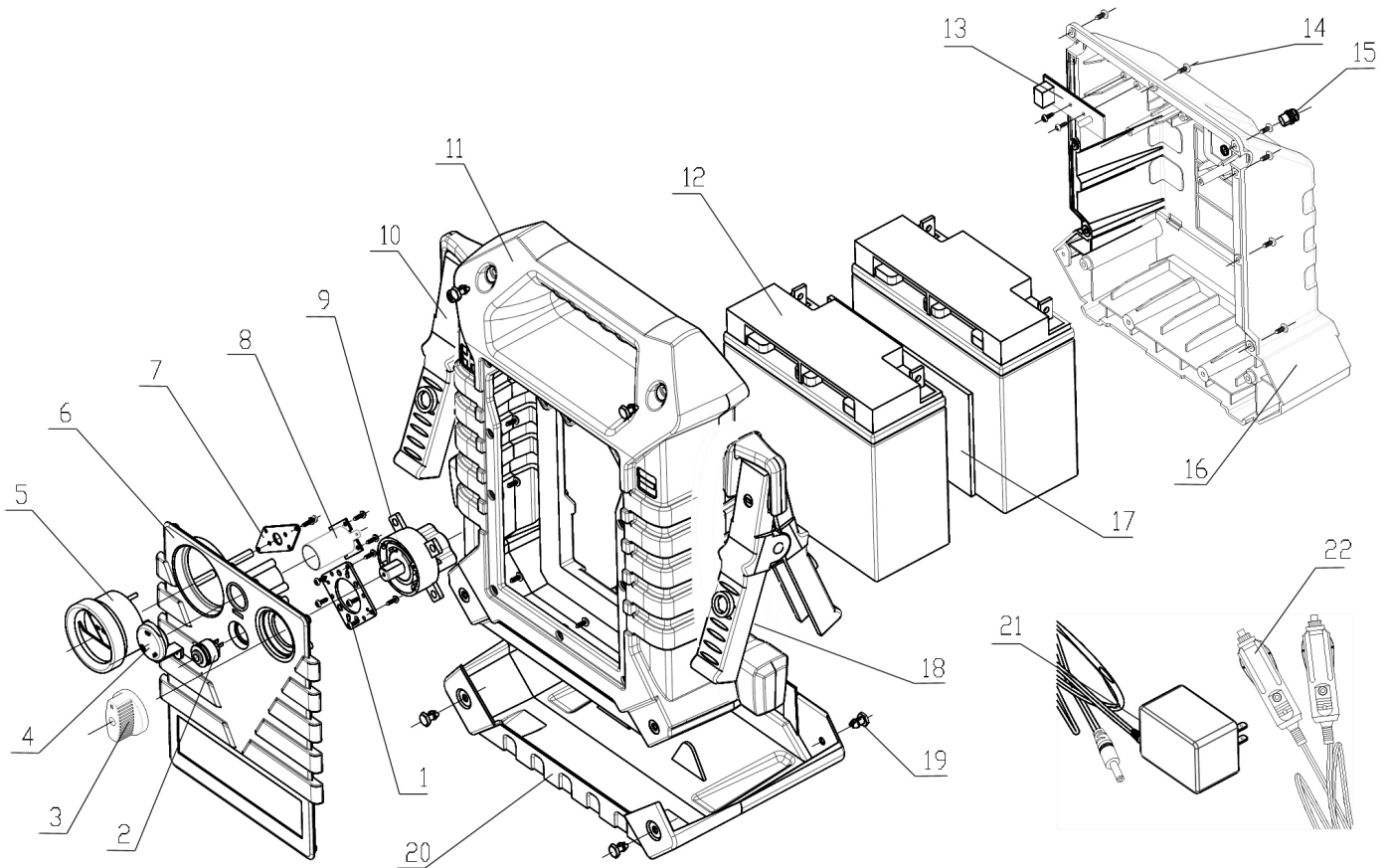




Parts Information:
RoadStart® Emergency Power Pack 12/24V
3000/1500 Peak Amps
Model No: RS125



| Item | Part No. | Description |
|------|------------|---|
| 1 | RS122.01 | ON/OFF SWITCH FIX PLATE |
| 2 | RS122.02 | VOLTAGE TEST SWITCH |
| 3 | RS125.03 | ON/OFF SWITCH KNOB |
| 4 | RS122.04 | CIGARETTE COVER |
| 5 | RS122.05 | VOLTAGE METER |
| 6 | RS125.06 | FRONT PANEL |
| 7 | RS122.07 | VOLTAGE METER FIX PLATE |
| 8 | RS122.08 | CIGERETTE SOCKET |
| 9 | RS125.09 | 12/24V SWITCH |
| 10 | RS125.10 | POSITIVE CLAMP AND CABLE |
| -- | RS125.10XD | POSITIVE LEAD WITH INLINE DIODE (NOT SHOWN) |
| 11 | RS122.11 | BODY CASE |
| 12 | RS125.12 | BATTERY 22AH |

| Item | Part No. | Description |
|------|----------|---|
| 13 | RS125.13 | PCB FOR CHARGING |
| 14 | RS125.14 | SCREW |
| 15 | RS125.15 | SOCKET FOR CHARGER |
| 16 | RS125.16 | REAR HOUSING |
| 17 | RS125.17 | DOUBLE SIDED FOAM TAPE (FITS BETWEEN BAT) |
| 19 | RS125.19 | SCREW |
| 20 | RS125.20 | RUBBER CUSHION |
| 21 | RS125.C | MAINS CHARGER 12V 1A |
| 22 | RS122.27 | CIGARETTE CABLE |
| -- | RS125.B | BACK LABEL (NOT SHOWN) |
| -- | RS125.F | FRONT LABEL (NOT SHOWN) |
| -- | RS122.28 | STUD (NOT SHOWN) |
| -- | RS125.SP | SWITCH PROTECTION (NOT SHOWN) |

NOTE: It is our policy to continually improve products and as such we reserve the right to alter data, specifications and component parts without prior notice.

IMPORTANT: No liability is accepted for incorrect use of product.

WARRANTY: Guarantee is 12 months from purchase date, proof of which will be required for any claim.

Sealey Group, Kempson Way, Suffolk Business Park, Bury St Edmunds, Suffolk. IP32 7AR



01284 757500



01284 703534



sales@sealey.co.uk



www.sealey.co.uk