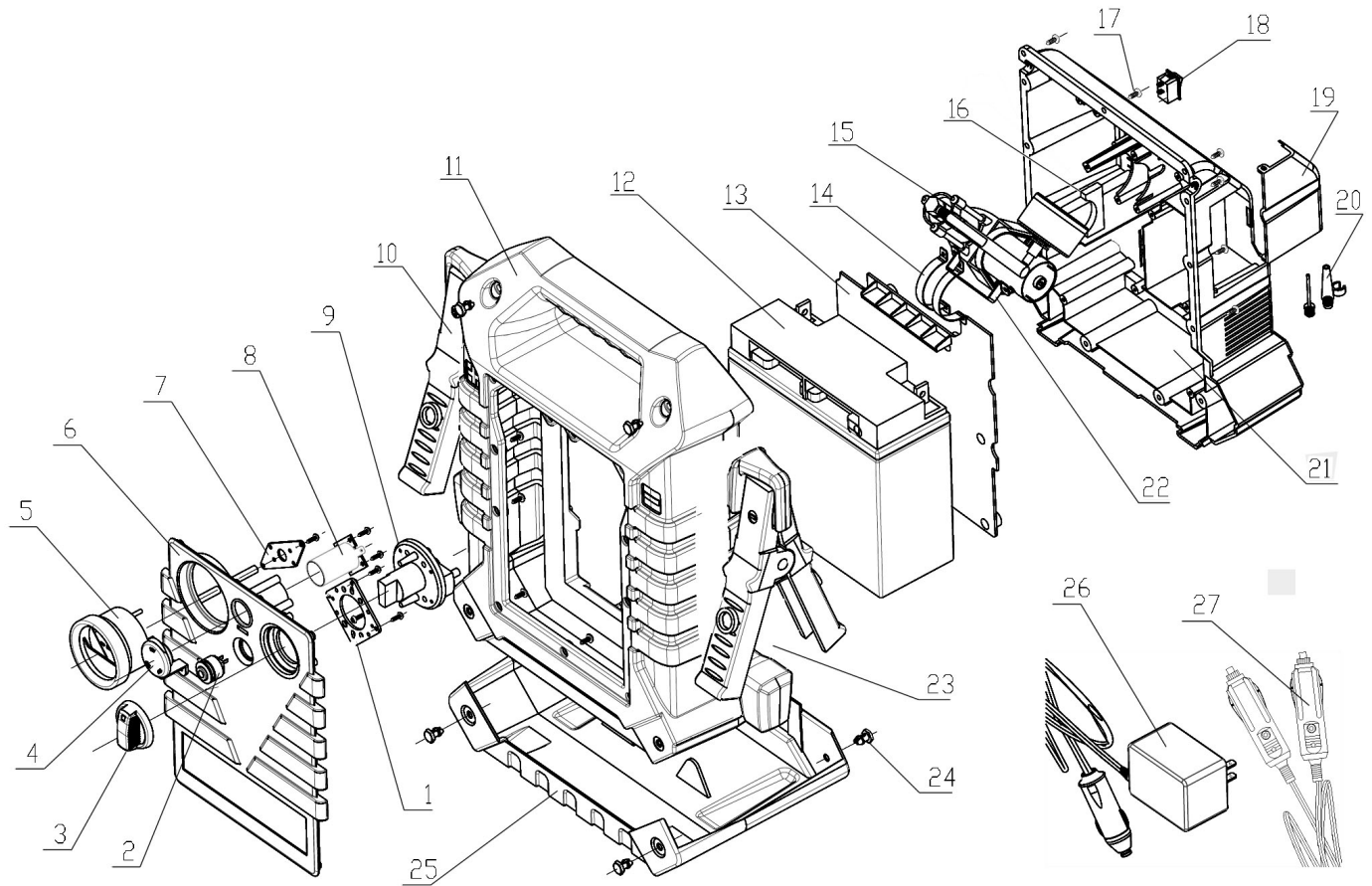




Parts Information:
**RoadStart® Emergency Power Pack with
 Air Compressor 12V 900 Peak Amps
 Model No: RS122**



Item	Part No.	Description
1	RS122.01	ON/OFF SWITCH FIX PLATE
2	RS122.02	VOLTAGE TEST SWITCH
3	RS122.03	ON/OFF SWITCH KNOB
4	RS122.04	CIGARETTE COVER
5	RS122.05	VOLTAGE METER
6	RS122.06	FRONT PANEL
7	RS122.07	VOLTAGE METER FIX PLATE
8	RS122.08	CIGERETTE SOCKET
9	RS122.09	ON/OFF SWITCH ASS'Y
10	RS122.10	CLAMP (POS) W/CABLE (L:900mm D:10mm)
11	RS122.11	BODY CASE
12	RS1/B	BATTERY 12V 17 AH
13	RS122.13	SEPARATING BOARD
14	RS122.14	AIR COMPRESSOR FIX PLATE
15	RS122.15	AIR COMPRESSOR
16	RS122.16	AIR COMPRESSOR CUSHION
17	RS122.17	SCREW
18	P75-012-0110	POWER SWITCH (ROCKER)

Item	Part No.	Description
19 + 24	RS122.19	AIR COMPRESSOR COVER
20	RS122.20	AIR COMPRESSOR ACCESSORIES
21	RS122.21	REAR HOUSING
22	RS122.22	REAR COVER METER FIX PLATE
23	RS122.10A	CLAMP (NEG) W/CABLE (L:900mm D:10mm)
25	RS122.25	RUBBER FEET
26	RS122.C	MAINS CHARGER 12V 1.0A
27	RS122.27	CIGARETTE CABLE
--	RS122.01A	RD HEAD S/T SCREW M3X10 BLACK (NOT SHOWN)
--	RS122.V2-15	AIR COMPRESSOR (NOT SHOWN)
--	RS122.23	AIR COMPRESSOR METER FIX PLATE (NOT SHOWN)
--	RS122.B	BACK LABEL (NOT SHOWN)
--	RS122.F	FRONT LABEL (NOT SHOWN)
--	C/246416900	CIRCUIT BREAKER, 12 AMP (NOT SHOWN)
--	RS122.28	STUD (NOT SHOWN)
--	RS125.SP	SWITCH PROTECTION (NOT SHOWN)

NOTE: It is our policy to continually improve products and as such we reserve the right to alter data, specifications and component parts without prior notice.

IMPORTANT: No liability is accepted for incorrect use of product.

WARRANTY: Guarantee is 12 months from purchase date, proof of which will be required for any claim.

Sealey Group, Kempson Way, Suffolk Business Park, Bury St Edmunds, Suffolk. IP32 7AR



01284 757500



01284 703534



sales@sealey.co.uk



www.sealey.co.uk