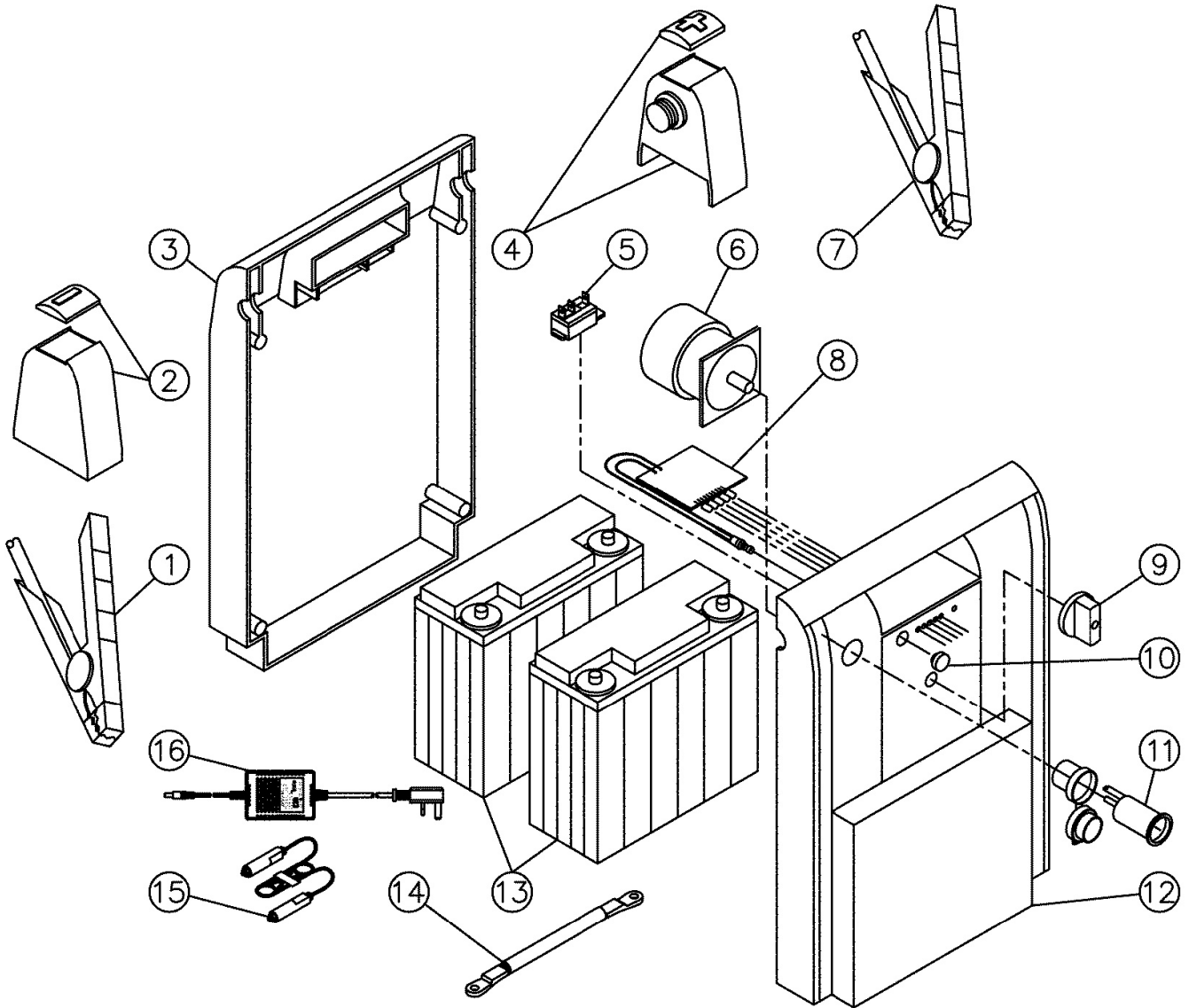




Parts Information:  
**RoadStart® Emergency Power Pack 12/24V**  
**3200 Peak Amps**  
**Model No: RS1224**



Item	Part No.	Description
1	C.238550000	Clamp (Neg) W/Cable (L:1.5m D:10mm)
2	C/312272000	Holster, Negative (Red)
3	C.998005000	Rear Case, Moulded Plastic
4	C/312271000	Holster, Positive (Red)
5	C/246416900	Circuit Breaker, 12 Amp
6	C.246498666	Switch Kit Complete With Knob, 12/12V
7	C.238549000	Clamp (Pos) W/Cable (L:1.5m D:10mm)
8	C.865920000	PCB 12V With 1500MA Auto Charging

Item	Part No.	Description
9	C.246498666	Switch Kit Complete With Knob, 12/12V
10	C.312277900	Switch Cap, Red Not Black
11	C/246417666	Cigarette Lighter Socket With Cap (12V Version)
12	C.312495000	Plastic Case, Front (Red)
13	C.235006200	Battery, 12V, 16AH
14	C.238551900	Jumper Cable Assembly
15	RS1/EC	Power Cord Extension
16	RS1224C	Charger 230V/15VDC

**NOTE:** It is our policy to continually improve products and as such we reserve the right to alter data, specifications and component parts without prior notice.

**IMPORTANT:** No liability is accepted for incorrect use of product.

**WARRANTY:** Guarantee is 12 months from purchase date, proof of which will be required for any claim.

Sealey Group, Kempson Way, Suffolk Business Park, Bury St Edmunds, Suffolk. IP32 7AR



01284 757500



01284 703534



sales@sealey.co.uk



www.sealey.co.uk