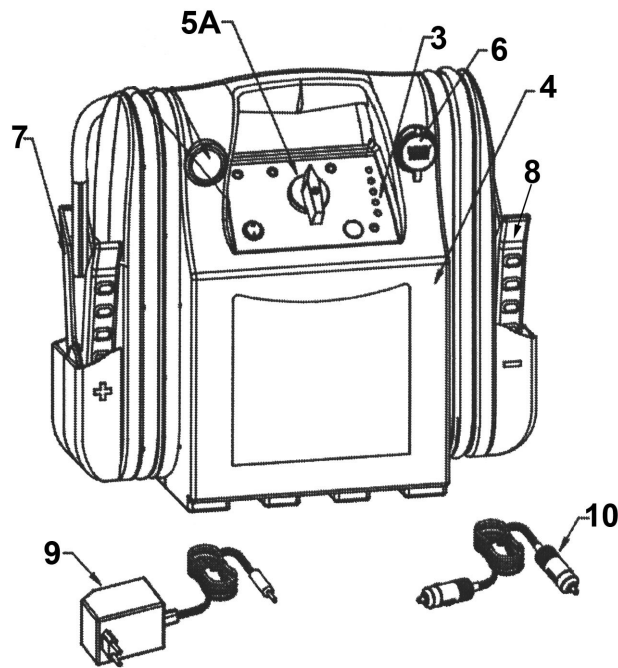




Parts Information:  
**RoadStart® Emergency Power Pack 12/24V**  
**3200/1600 Peak Amps**  
**Model No: RS105**



Item	Part No.	Description
--	RS1/B	Battery 12V 17 ah (NOT SHOWN)
--	RS105.02	Led Display Label (NOT SHOWN)
3	RS105.03	Multiple Power Indicator
4	RS103.04	Complete Case
5A	RS105.05	Voltage Switch (12V/24V Only)
6	RS103.06	Cigarette Lighter Socket(C/W Cap)

Item	Part No.	Description
7	RS103.07	Heavy Duty Clamp + Cable (Negative)
8	RS103.08	Heavy Duty Clamp + Cable (Positive)
9	RS10AUA	Universal Adaptor 1.0a 15V
10	RS103.10	Extension Cord
--	RS105.L	Front Label (NOT SHOWN)
--	RS105.L1	Back Label (NOT SHOWN)

**NOTE:** It is our policy to continually improve products and as such we reserve the right to alter data, specifications and component parts without prior notice.

**IMPORTANT:** No liability is accepted for incorrect use of product.

**WARRANTY:** Guarantee is 12 months from purchase date, proof of which will be required for any claim.

**Sealey Group**, Kempson Way, Suffolk Business Park, Bury St Edmunds, Suffolk. IP32 7AR



01284 757500



01284 703534



sales@sealey.co.uk



www.sealey.co.uk