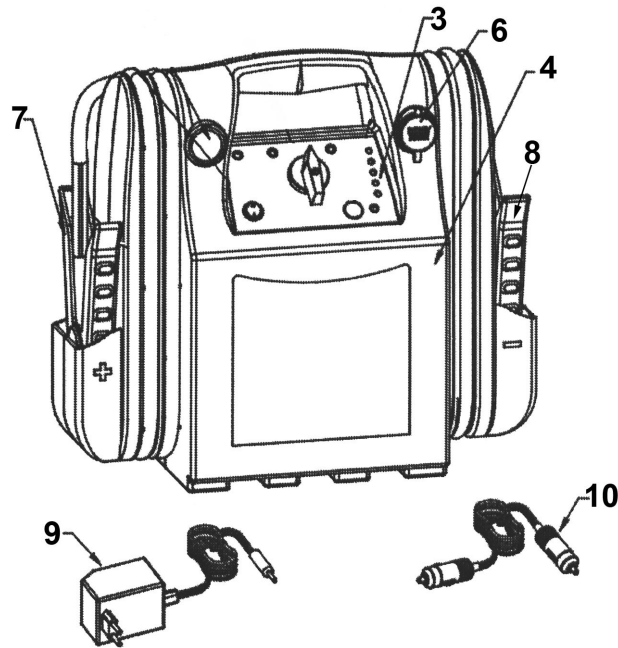




Parts Information:
RoadStart® Emergency Power Pack 24V
1600 Peak Amps
Model No: RS104



Item	Part No.	Description
--	RS1/B	Battery 12V 17 ah (NOT SHOWN)
3	RS104.V2-03	Multiple Led Power Indicator
4	RS103.04	Complete Case
6	RS103.06	Cigarette Lighter Socket(C/W Cap)
7	RS103.07	Heavy Duty Clamp + Cable (Negative)
8	RS103.08	Heavy Duty Clamp + Cable (Positive)

Item	Part No.	Description
9	RS104.09	Wall Charger (24V)
10	RS103.10	Extension Cord
--	RS104.02	Led Display Label (NOT SHOWN)
--	RS104.L	Front Label (NOT SHOWN)
--	RS104.L1	Back Label (NOT SHOWN)

NOTE: It is our policy to continually improve products and as such we reserve the right to alter data, specifications and component parts without prior notice.

IMPORTANT: No liability is accepted for incorrect use of product.

WARRANTY: Guarantee is 12 months from purchase date, proof of which will be required for any claim.

Sealey Group, Kempson Way, Suffolk Business Park, Bury St Edmunds, Suffolk. IP32 7AR



01284 757500



01284 703534



sales@sealey.co.uk



www.sealey.co.uk