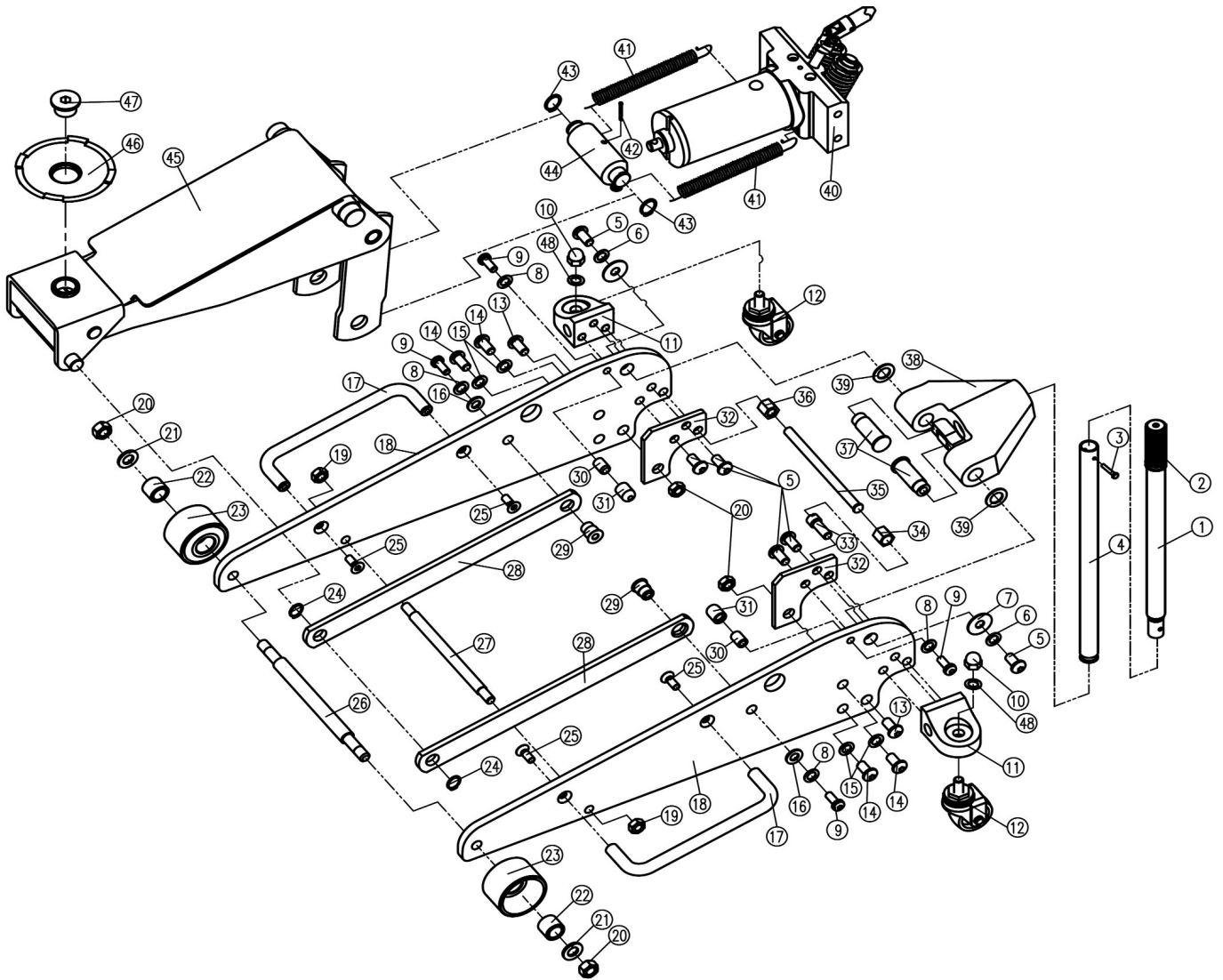




Parts Information:
Trolley Jack 2.5tonne Aluminium/Steel
Rocket Lift
Model No: RJA2500



NOTE: It is our policy to continually improve products and as such we reserve the right to alter data, specifications and component parts without prior notice.

IMPORTANT: No liability is accepted for incorrect use of product.

WARRANTY: Guarantee is 12 months from purchase date, proof of which will be required for any claim.

Sealey Group, Kempson Way, Suffolk Business Park, Bury St Edmunds, Suffolk. IP32 7AR



01284 757500



01284 703534



sales@sealey.co.uk



www.sealey.co.uk



Parts Information:
**Trolley Jack 2.5tonne Aluminium/Steel
Rocket Lift
Model No: Rjas2500**

Item	Part No.	Description
1	RJAS2500.01	HANDLE, UPPER
2	RJAS2500.02	HANDLE GRIP
3	SS635.S	HEX HEAD SET SCREW M6x35mm SINGLE
4	RJAS2500.04	HANDLE, LOWER
5	BHSS1225.S	BUTTON HEAD SOCKET SCREW M12x25 ZINC
6	SWM10.SB	SPRING WASHER M10 BLACK(SINGLE)
7	RW1030.S	REPAIR WASHER M10x30 (SINGLE)
8	RJAS2500.08	LOCK WASHER 8
9	BHSS820.S	BUTTON HEAD SOCKET SCREW M8x20 ZINC
10	SN12.S	STEEL NUT M12 ZINC DIN934(SINGLE)
11	RJAS2500V2.23	REAR WHEEL FRAME
12	RJAS2500.12	SWIVEL CASTOR ASSY 45X24X7
13	RJAS2500.13	SCREW
14	RJAS2500.14	SCREW M12x25
15	SWM12.SB	SPRING WASHER M12 BLACK(SINGLE)
16	RJAS2500.16	LOCK WASHER 8
17	RJAS2500V2.20	SIDE HANDLE
18	RJAS2500.18	WALL FRAME
19	SN10.S	STEEL NUT M10 ZINC DIN934(SINGLE)
20	SN12.S	STEEL NUT M12 ZINC DIN934(SINGLE)
21	FWM12.S	FLAT WASHER M12 SINGLE
22	RJAS2500.22	FRONT WHEEL SPACER
23	RJAS2500.23	WHEEL,FRONT FIXED (65x24x32)
24	RJAS2500.24	WASHER 16
25	BHSS820.S	BUTTON HEAD SOCKET SCREW M8x20 ZINC
26	RJAS2500.26	AXLE, FRONT WHEEL

Item	Part No.	Description
27	RJAS2500.27	CONNECTING ROD
28	RJAS2500.28	SHAFT
29	RJAS2500.29	CONNECTING ROD PIN
30	RJAS2500.30	POSITIONING BLOCK
31	RJAS2500.31	RUBBER BUSHING
32	RJAS2500.32	GUARD PLATE
33	RJAS2500.33	BOLT M10X27
34	RJAS2500.34	JOINT NUT
35	RJAS2500.35	JOINT AXEL
36	RJAS2500.36	JOINT NUT - DEEP
37	RJAS2500.37	LEFT BOLT
38	RJAS2500.38	HANDLE SOCKET (OLD TYPE)
--	RJAS2500.38-1	HANDLE SOCKET (NEW TYPE) (NOT SHOWN)
39	FWM12.S	FLAT WASHER M12 SINGLE
40	RJAS2500.40	HYDRAULIC UNIT ASSEMBLY
41	RJAS2500.41	RETURN SPRING
42	RJAS2500.42	PIN 4 X 40
43	RJAS2500.43	RETAINING RING 20
44	RJAS2500V2.39	UNIVERSAL JOINT SAFT
45	RJAS2500.45	LIFTING ARM ASSEMBLY
46	RJAS2500.46	SADDLE
47	RJAS2500V2.01	SADDLE SHAFT
48	RJAS2500.48	WASHER 12
--	RJAS2500.51	SADDLE PAD (NOT SHOWN)
--	RJAS2500.38A	HANDLE SOCKET BOLT (NEW TYPE) (NOT SHOWN)

NOTE: It is our policy to continually improve products and as such we reserve the right to alter data, specifications and component parts without prior notice.

IMPORTANT: No liability is accepted for incorrect use of product.

WARRANTY: Guarantee is 12 months from purchase date, proof of which will be required for any claim.

Sealey Group, Kempson Way, Suffolk Business Park, Bury St Edmunds, Suffolk. IP32 7AR



01284 757500



01284 703534

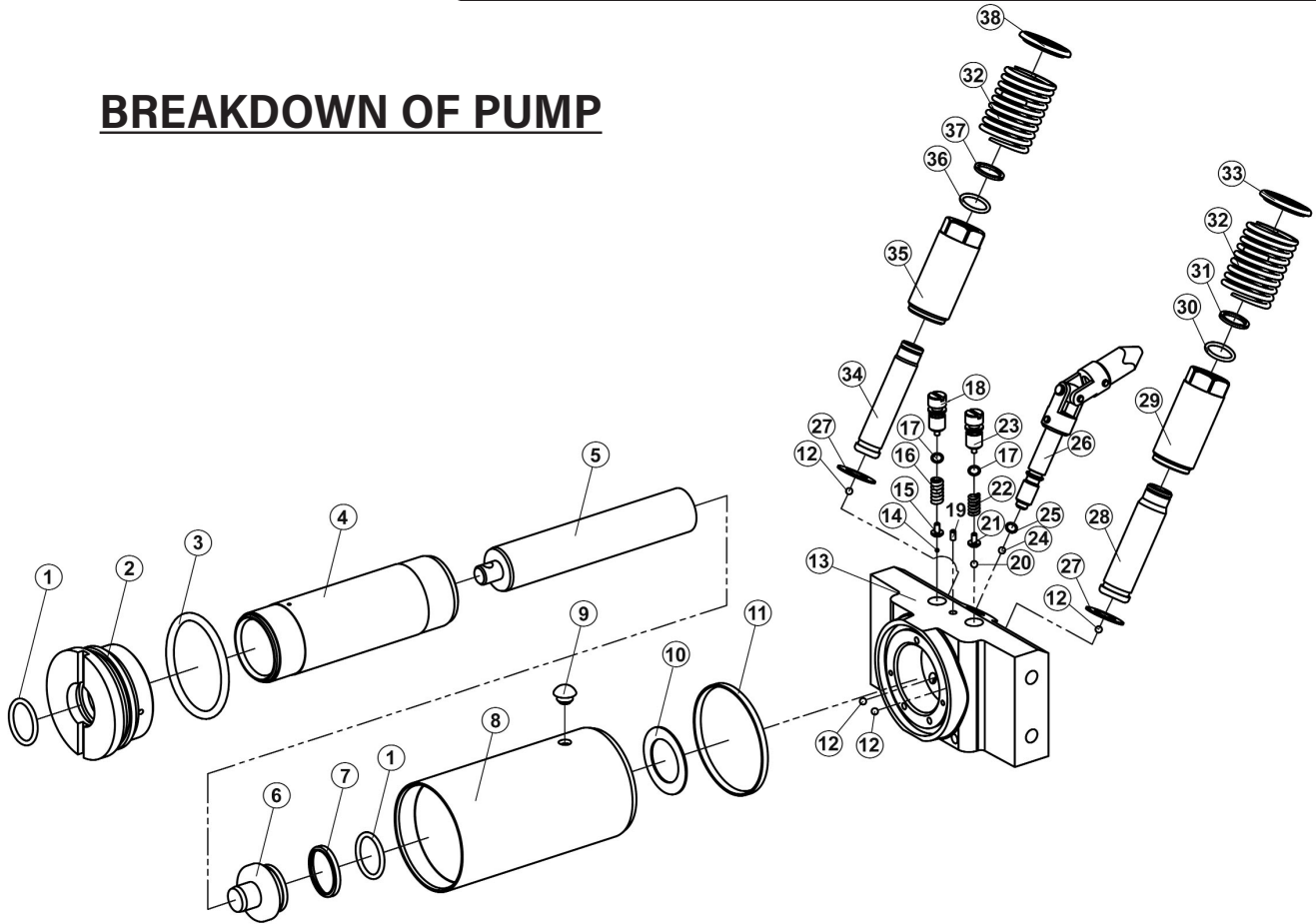


sales@sealey.co.uk



www.sealey.co.uk

BREAKDOWN OF PUMP



Item	Part No.	Description
1	RJAS2500.P01	O-RING
2	RJAS2500.P02	TOP CAP
3	RJAS2500.P03	O-RING
4	RJAS2500.P04	CYLINDER
5	RJAS2500.P05	PISTON ROD
6	RJAS2500.P06	PISTON
7	RJAS2500.P07	RING
8	RJAS2500.P08	RESERVOIR
9	RJAS2500V2P46	OIL FILLER PLUG
10	RJAS2500.P10	THIN SEAL
11	RJAS2500.P11	WASHER
12	RJAS2500.P12	STEEL BALL (5mm)
13	RJAS2500.P13	BASE PLATE
14	SB-3.0	STEEL BALL 3.0mm
15	RJAS2500.P15	SPRING BASE
16	RJAS2500.P16	SAFETY VALVE SPRING
17	RJAS2500.P17	O-RING
18	RJAS2500.P18	OVERLOAD VALVE NUT
19	RJAS2500.P19	TAPER BOLT

Item	Part No.	Description
20	SB-4.0	STEEL BALL 4.0mm
21	RJAS2500.P21	SPRING BASE
22	RJAS2500.P22	RELEASE VALVE SPRING
23	RJAS2500.P23	RELEASE VALVE NUT
24	SB-6.0	STEEL BALL 6.0mm
25	RJAS2500.P25	O-RING
26	RJAS2500.P26	DISCHARGE VALVE ASS'Y
27	RJAS2500.P27	WASHER M12x25
28	RJAS2500.P28	PLUNGER
29	RJAS2500.P29	PUMP
30	RJAS2500.P30	O-RING
31	RJAS2500.P31	RETAINING RING
32	RJAS2500.P32	SPRING
33	RJAS2500.P38	PUMP PIN BASE
34	RJAS2500.P34	PLUNGER
35	RJAS2500.P35	PUMP
36	RJAS2500.P36	O-RING
37	RJAS2500.P37	RETAINING RING
38	RJAS2500.P38	PUMP PIN BASE

NOTE: It is our policy to continually improve products and as such we reserve the right to alter data, specifications and component parts without prior notice.

IMPORTANT: No liability is accepted for incorrect use of product.

WARRANTY: Guarantee is 12 months from purchase date, proof of which will be required for any claim.