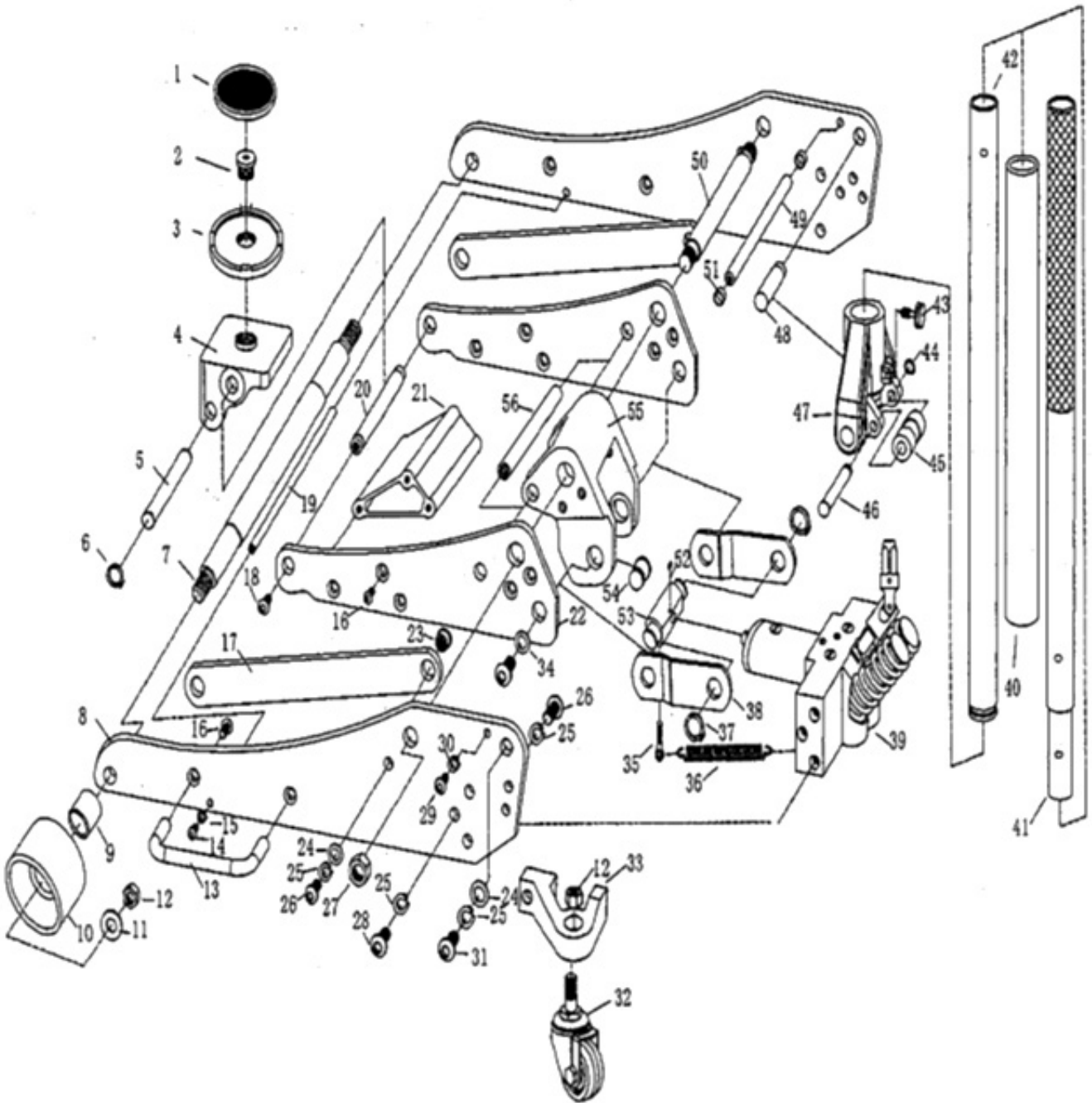




Parts Information:  
**Trolley Jack 1.8tonne Low Entry Aluminium  
Rocket Lift**  
**Model No: RJA1800**



**NOTE:** It is our policy to continually improve products and as such we reserve the right to alter data, specifications and component parts without prior notice.

**IMPORTANT:** No liability is accepted for incorrect use of product.

**WARRANTY:** Guarantee is 12 months from purchase date, proof of which will be required for any claim.

Sealey Group, Kempson Way, Suffolk Business Park, Bury St Edmunds, Suffolk. IP32 7AR



01284 757500



01284 703534



sales@sealey.co.uk



www.sealey.co.uk



Parts Information:  
**Trolley Jack 1.8tonne Low Entry Aluminium  
Rocket Lift**  
**Model No: RJA1800**

Item	Part No.	Description
1	RJA1800.01	SADDLE PAD
2	RJAS2500V2.01	SADDLE SHAFT
3	RJA1800.03	SADDLE
4	RJA1800.04	SADDLE BASE
5	RJA1800.05	SADDLE BASE PIN
6	RJA1800.06	RETAINING RING
7	RJA1800.07	FRONT WHEEL AXLE
8	RJA1800.08	SIDE FRAME, LEFT
9	RJA1800.09	WHEEL BUSHING
10	RJA2500.07	WHEEL,FRONT FIXED (65x22x50)
11	RJA1800.11	WASHER
12	SN12.S	STEEL NUT M12 ZINC DIN934(SINGLE)
13	RJA2500.08	CARRYING HANDLE
14	RJA1800.14	NUT
15	RJA1800.15	WASHER
16	RJA1800.16	BOLT
17	RJA1800.17	SHAFT
18	RJA1800.18	BOLT
19	RJA1800.19	CONNECTING ROD
20	RJA1800.20	LIFT ARM PIN
21	RJA1800.21	LIFT ARM SUPPORT
22	RJA1800.22	INNER SIDE FRAME, LEFT
23	RJA1800.23	NUT
24	RJA1800.24	WASHER
25	RJA1800.25	SPRING WASHER
26	RJA1800.26	BOLT
27	RJA1800.27	NUT
28	RJA1800.28	BOLT

Item	Part No.	Description
29	RJA1800.29	BOLT
30	RJA1800.30	SPRING WASHER
31	RJA1800.31	BOLT
32	RJA1800.32	WHEEL,REAR CASTOR (45x9x23x67)
33	RJA1800.33	REAR CASTOR BASE
34	RJA1800.34	WASHER
35	RJA1800.35	PIN
36	RJA1800.36	SPRING
37	RJA1800.37	RETAINING RING
38	RJA1800.38	GUIDE PLATE
39	RJA1800.39	HYDRAULIC UNIT
40	RJA2500.16	HANDLE COVER
41	RJA1800.41	UPPER HANDLE
42	RJA1800.42	LOWER HANDLE
43	RJA2500.13	SET SCREW
44	RJA1800.44	RETAINING RING
45	RJA1800.45	SOCKET ROLLER
46	RJA1800.46	SOCKET ROLLER SHAFT
47	RJA1800.47	HANDLE SOCKET
48	RJA1800.48	HANDLE SOCKET PIN
49	RJA1800.49	TIE ROD
50	RJA1800.50	LIFT ARM PIN
51	RJA1800.51	NUT
52	RJA1800.52	SET SCREW
53	RJA1800.53	HYDRAULIC ADAPTOR
54	RJA1800.54	NUT
55	RJA1800.55	LIFT ARM
56	RJA1800.56	PIN

**NOTE:** It is our policy to continually improve products and as such we reserve the right to alter data, specifications and component parts without prior notice.

**IMPORTANT:** No liability is accepted for incorrect use of product.

**WARRANTY:** Guarantee is 12 months from purchase date, proof of which will be required for any claim.

Sealey Group, Kempson Way, Suffolk Business Park, Bury St Edmunds, Suffolk. IP32 7AR



01284 757500



01284 703534



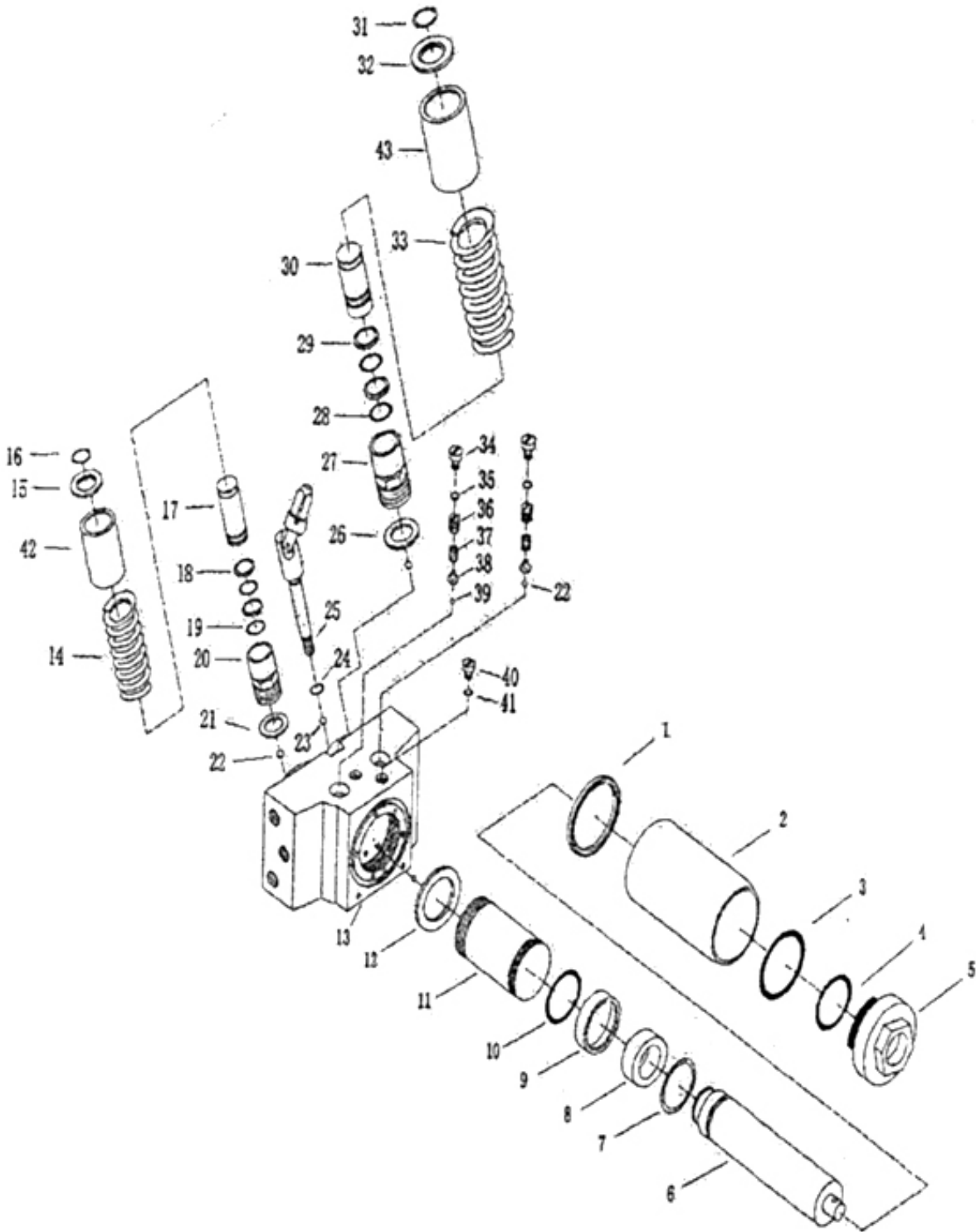
sales@sealey.co.uk



www.sealey.co.uk



Parts Information:  
**Trolley Jack 1.8tonne Low Entry Aluminium  
Rocket Lift**  
**Model No: RJA1800**



**NOTE:** It is our policy to continually improve products and as such we reserve the right to alter data, specifications and component parts without prior notice.

**IMPORTANT:** No liability is accepted for incorrect use of product.

**WARRANTY:** Guarantee is 12 months from purchase date, proof of which will be required for any claim.

Sealey Group, Kempson Way, Suffolk Business Park, Bury St Edmunds, Suffolk. IP32 7AR



01284 757500



01284 703534



sales@sealey.co.uk



www.sealey.co.uk



Parts Information:  
**Trolley Jack 1.8tonne Low Entry Aluminium  
Rocket Lift**  
**Model No: RJA1800**

Item	Part No.	Description
1	RJA1800.P01	SEALING RING
2	RJA1800.P02	RESERVOIR
3	RJA1800.P03	SEALING RING
4	RJA1800.P04	O-RING 29.5x3.55
5	RJA1800.P05	TOP NUT
6	RJA1800.P06	PISTON ROD
7	RJA1800.P07	RETAINING RING
8	RJA1800.P08	SEAL
9	RJA1800.P09	WASHER
10	RJA1800.P10	O-RING 25x4.9
11	RJA1800.P11	CYLINDER
12	RJA1800.P12	SEALING RING
13	RJA1800.P13	BASE PLATE
14	RJA1800.P14	SPRING
15	RJA1800.P15	SPRING BASE
16	RJA1800.P17	HIGH PRESSURE PISTON
17	RJA1800.P18	RETAINING RING
18	RJA1800.P19	O-RING 10x2.65
19	RJA1800.P20	PISTON HOUSING
20	RJA1800.P21	COPPER RING
21	SB-5.0	STEEL BALL 5.0mm

Item	Part No.	Description
22	SB-6.0	STEEL BALL 6.0mm
23	RJA1800.P24	O-RING 6.8x1.8
24	RJA1800.P25	U-JOINT
25	RJA1800.P26	COPPER RING
26	RJA1800.P27	PISTON HOUSING
27	RJA1800.P28	O-RING 17x2.65
28	RJA1800.P29	RETAINING RING
29	RJA1800.P30	LOW PRESSURE PUMP PISTON
30	RJA1800.P31	RETAINING RING
31	RJA1800.P32	SPRING BASE
32	RJA1800.P33	SPRING
33	RJA1800.P34	RELEASE VALVE SCREW
34	RJA1800.P35	SQUARE SEAL 15x9.5x2
35	RJA1800.P36	BUSHING
36	RJA1800.P37	SPRING
37	RJA1800.P38	SPRING BASE
38	SB-4.0	STEEL BALL 4.0mm
39	RJA1800.P40	PLUG SCREW
40	RJA1800.P41	SQUARE SEAL 10x6.2x1.5
41	RJA1800.P42	DUST COVER
42	RJA1800.P43	DUST COVER

**NOTE:** It is our policy to continually improve products and as such we reserve the right to alter data, specifications and component parts without prior notice.

**IMPORTANT:** No liability is accepted for incorrect use of product.

**WARRANTY:** Guarantee is 12 months from purchase date, proof of which will be required for any claim.

**Sealey Group**, Kempson Way, Suffolk Business Park, Bury St Edmunds, Suffolk. IP32 7AR



01284 757500



01284 703534



sales@sealey.co.uk



www.sealey.co.uk