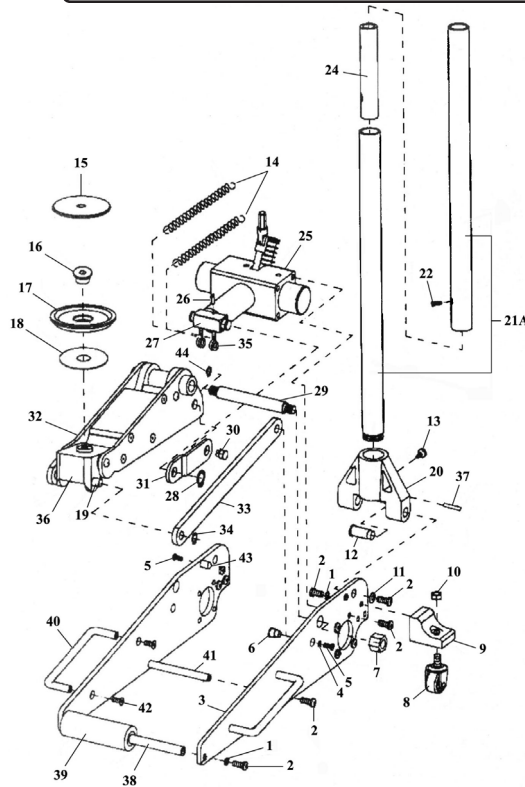


Parts Information: Trolley Jack 1.25tonne Aluminium Rocket Lift Model No: RJA1250



Item	Part No.	Description
1	RJA1250.01	M10 INT TOOTH WASHER ZINC
2	BHSS1025.S	BUTTON HEAD SOCKET SCREW M10x25 ZINC
3	RJA1250.03	FRAME SET (LEFT HAND & RIGHT HAND)
4	RJA1250.04	M8 INT TOOTH WASHER ZINC
5	BHSS820.S	BUTTON HEAD SOCKET SCREW M8x20 ZINC
6	RJA1250.06	LINK ROD AXIS
7	NLN16.S	NYLOC NUT M16 ZINC DIN 985 (SINGLE)
8	RJA1250.08	WHEEL,CASTOR (40x8x20x60)
--	RJAS1500.33	REAR WHEEL, CASTOR, SINGLE BOLT FIXING (NOT SHOWN)
9	RJA1550V2.49	REAR CASTOR SUPPORT
10	NLN10.S	NYLOC NUT M10 ZINC (SINGLE)
11	FWM8.S	FLAT WASHER M8 SINGLE
12	RJA1250.12	HANDLE SOCKET PIN
13	RJA1550.13	HANDLE SOCKET SCREW
14	RJA1250.14	SPRING
15	RJA1550.17	RUBBER SADDLE PAD
16	RJAS2500V2.01	SADDLE SHAFT
17	RJA1250.17	SADDLE
18	RJA1250.18	WASHER FOR SADDLE
19	RJA1250.19	LINK ROD
20	RJA1550.20	HANDLE SOCKET
21A	RJA1250.21A	HANDLE (UPPER AND LOWER)

Item	Part No.	Description
22	BHSS610.S	BUTTON HEAD SOCKET SCREW M6x10 ZINC
24	RJA1550.24	JOINT CONNECTOR
25	RJA1250.25	POWER UNIT ASS'Y
26	RJA1250.26	SPLIT PIN
27	RJA1250.27	PISTON ROD
28	RJA1250.28	C-RING
29	RJA1250.29	SUPPORT SHAFT
30	RJA1250.30	PULL ROD AXIS
31	RJA1250.31	PULL ROD
32	RJA1250.32	LIFTING ARM
33	RJA1250.33	LINK ROD
34	RJA1250.34	C-RING
35	RJA1250.35	RING BOLT M6X21
36	RJA1250.36	SADDLE BASE
37	RJA1250.37	SPRING PIN (3x14)
38	RJA1250.38	FRONT WHEEL SHAFT
39	RJA1250.39	WHEEL,FRONT ROLLER (42x15x115)
40	RJA1250.40	SIDE HANDLE
41	RJA1250.41	HOLDER SHAFT
42	MSCS620.S	CSK SOCKET MACHINE SCREW M6x20 (SINGLE)
43	RJA1250.43	SCREW BUSHING
44	RJA1250.44	C-RING

NOTE: It is our policy to continually improve products and as such we reserve the right to alter data, specifications and component parts without prior notice.

IMPORTANT: No liability is accepted for incorrect use of product.

WARRANTY: Guarantee is 12 months from purchase date, proof of which will be required for any claim.