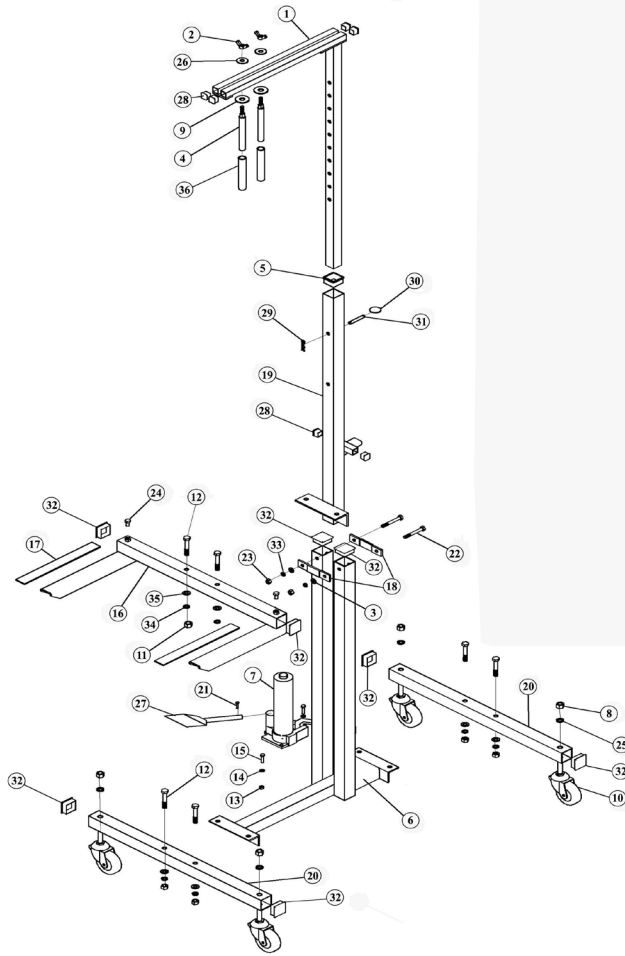




Parts Information:  
**Hydraulic Door Support Removal/  
 Installation**  
**Model No: RE80.V2**



Item	Part No.	Description
1	RE80.V2-01	ADJUSTABLE TOP BAR
2	SN8.SW	WING NUT M8 (SINGLE)
3	RE80.V2-03	WASHER
4	RE80.V2-04	ROD
5	RE80.V2-05	SLEEVE
6	RE80.V2-06	MAIN POST
7	RE80.V2-07	BOTTLE JACK
8	SN12.S	STEEL NUT M12 ZINC DIN934(SINGLE)
9	RE80.V2-09	WASHER
10	RE80.V2-10	WHEEL,CASTOR (75x8x30x100)
11	SN10.S	STEEL NUT M10 ZINC DIN934(SINGLE)
12	HHB1060.S	HEX HEAD BOLT M10x60mm SINGLE
13	SN6.S	STEEL NUT M6 ZINC DIN934 (SINGLE)
14	RE80.V2-14	WASHER
15	RE80.V2-15	BOLT (M6x25)
16	RE80.V2-16	SUPPORT FRAME
17	RE80.V2-17	RUBBER PLATE
18	RE80.V2-18	PLATE

Item	Part No.	Description
19	RE80.V2-19	LIFTING POST
20	RE80.V2-20	CROSS BAR
21	RE80.V2-21	SCREW (M5x8)
22	SS865.S	HEX HEAD SET SCREW M8x65mm SINGLE
23	SN8.S	STEEL NUT M8 ZINC DIN934 (SINGLE)
24	RE80.V2-24	BOLT (M8x15)
25	SWM12.SB	SPRING WASHER M12 BLACK(SINGLE)
26	RE80.V2-26	WASHER
27	RE80.V2-27	FOOT PEDAL ASS'Y
28	RE80.V2-28	PLUG (20x20)
29	RE80.V2-29	R-RING
30	RE80.V2-30	RING
31	RE80.V2-31	PIN
32	RE80.V2-32	PLUG (40x40)
33	RE80.V2-33	SPRING WASHER
34	SWM10.SB	SPRING WASHER M10 BLACK(SINGLE)
35	FWM10.S	FLAT WASHER M10 SINGLE
36	RE80.V2-36	RUBBER GRIP

**NOTE:** It is our policy to continually improve products and as such we reserve the right to alter data, specifications and component parts without prior notice.

**IMPORTANT:** No liability is accepted for incorrect use of product.

**WARRANTY:** Guarantee is 12 months from purchase date, proof of which will be required for any claim.

**Sealey Group**, Kempson Way, Suffolk Business Park, Bury St Edmunds, Suffolk. IP32 7AR



01284 757500



01284 703534



sales@sealey.co.uk



www.sealey.co.uk