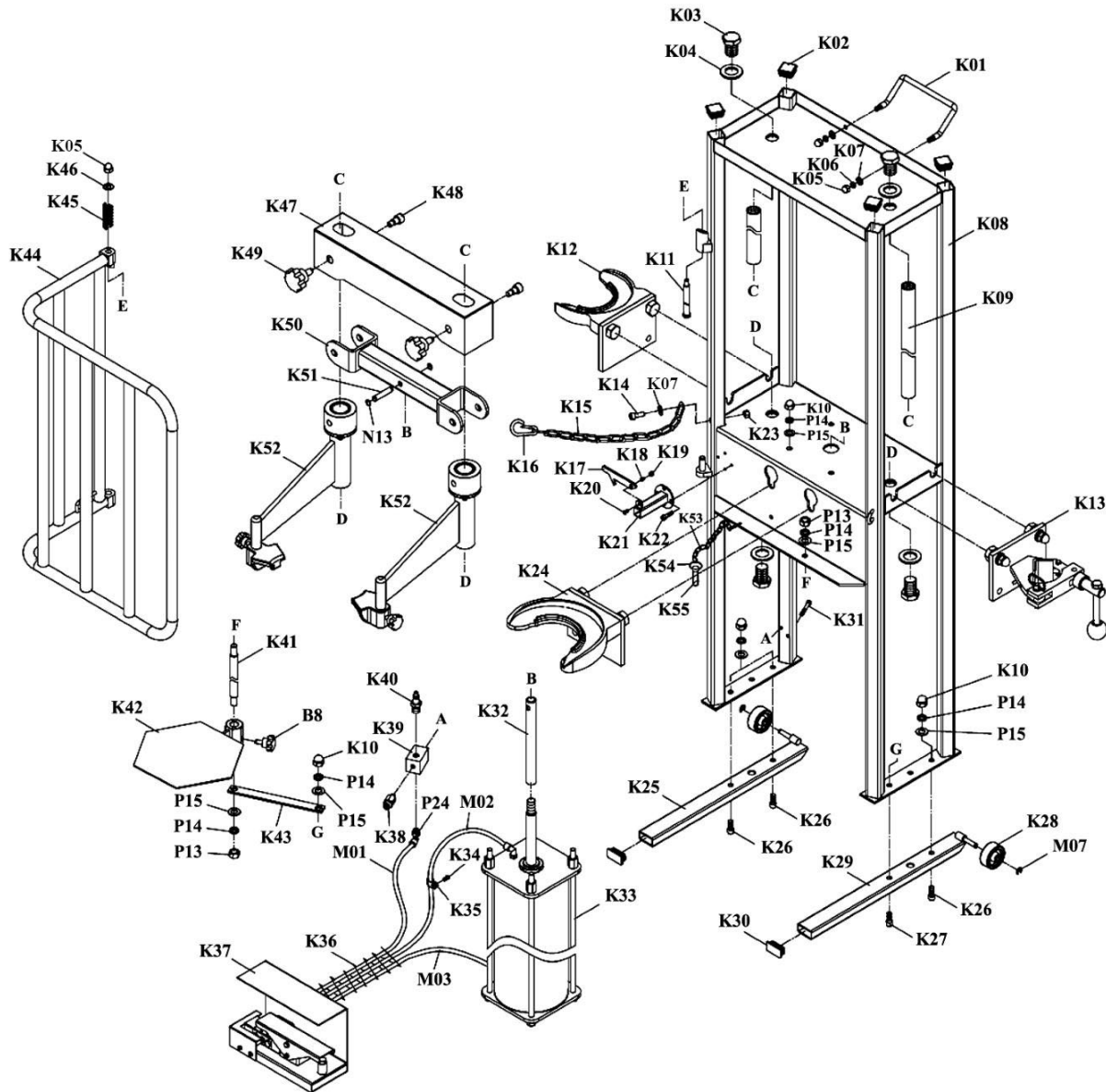




Parts Information:
Coil Spring Compressor - Air Operated
1000kg
Model No: RE300



NOTE: It is our policy to continually improve products and as such we reserve the right to alter data, specifications and component parts without prior notice.

IMPORTANT: No liability is accepted for incorrect use of product.

WARRANTY: Guarantee is 12 months from purchase date, proof of which will be required for any claim.

Sealey Group, Kempson Way, Suffolk Business Park, Bury St Edmunds, Suffolk. IP32 7AR



01284 757500



01284 703534



sales@sealey.co.uk



www.sealey.co.uk



Parts Information:
Coil Spring Compressor - Air Operated
1000kg
Model No: RE300

| Item | Part No. | Description |
|------|------------|---|
| B08 | RE300.B08 | KNOB SCREW |
| K01 | RE300.K01 | HANDLE |
| K02 | RE300.K02 | END PLUG |
| K03 | SCB610.S | SOCKET CAP BOLT M6X10 |
| K04 | RE300.K04 | WASHER |
| K05 | SN8.SD | STEEL NUT M8 DOMED (SINGLE) |
| K06 | RE300.K06 | SPRING WASHER |
| K07 | RE300.K07 | WASHER |
| K08 | RE300.K08 | FRAME ASS'Y |
| K09 | RE300.K09 | BAR |
| K10 | SN10.SD | STEEL NUT M10 DOMED (SINGLE) |
| K11 | RE300.K11 | PIN |
| K12 | RE300.K12 | UPPER STRUT SUPPORT |
| K13 | RE300.K13 | CONTROL ASS'Y |
| K14 | RE300.K14 | BOLT |
| K15 | RE300.K15 | CHAIN |
| K16 | RE300.K16 | SHACKLE |
| K17 | RE300.K17 | HOOK |
| K18 | RE300.K18 | COPPER BUSHING |
| K19 | NLN4.S | NYLOC NUT M4 ZINC DIN 985 (SINGLE) |
| K20 | RE300.K20 | BOLT |
| K21 | RE300.K21 | HOOK ASSEMBLY |
| K22 | SCB610.SB | SOCKET CAP BOLT BLACK M6X10 |
| K23 | NLN8.S | NYLOC NUT M8 ZINC DIN 985 (SINGLE) |
| K24 | RE300.K24 | LOWER STRUT SUPPORT |
| K25 | RE300.K25 | BASE (1) |
| K26 | RE300.K26 | RD HEAD S/T SCREW M4X22 BLACK |
| K27 | SCB1020.SB | SOCKET HEAD CAP SCREW M10x20 BLACK |
| K28 | RE300.K28 | WHEEL, FIXED (49x8x21) |
| K29 | RE300.K29 | BASE (2) |
| K30 | RE300.K30 | END PLUG, BASE |
| K31 | SCB640.SB | SOCKET HEAD CAP SCREW M6x40 BLACK |
| K32 | RE300.K32 | CONNECTION ROD FOR AIR CYLINDER |
| K33 | RE300.K33 | AIR CYLINDER ASS'Y |
| K34 | MSP48.S | MACHINE SCREW PAN HEAD PHILLIPS M4x8mm (SINGLE) |

| Item | Part No. | Description |
|------|-----------|---|
| K35 | RE300.K35 | HOSE CLIP |
| K36 | RE300.K36 | PROTECTIVE CASING |
| K37 | RE300.K37 | FOOT PEDAL |
| K38 | RE300.K38 | SAFETY VALVE |
| K39 | RE300.K39 | VALVE BLOCK |
| K40 | RE300.K40 | VALVE BLOCK CONNECTOR |
| K41 | RE300.K41 | SHAFT FOR PLATE |
| K42 | RE300.K42 | PLATE |
| K43 | RE300.K43 | CONNECTING ROD |
| K44 | RE300.K44 | SAFETY LOCKING GUARD |
| K45 | RE300.K45 | SPRING |
| K46 | RE300.K46 | WASHER |
| K47 | RE300.K47 | MOVING ARM COVER |
| K48 | RE300.K48 | BOLT |
| K49 | RE300.K49 | KNOB SCREW |
| K50 | RE300.K50 | BEAM ASSEMBLY |
| K51 | RE300.K51 | LOCKING PIN |
| K52 | RE300.K52 | MOVING ARM |
| K53 | RE300.K53 | CHAIN |
| K54 | RE300.K54 | RING |
| K55 | RE300.K55 | PIN FOR CHAIN |
| M01 | RE300.M01 | HOSE (1) |
| M02 | RE300.M02 | HOSE (2) |
| M03 | RE300.M03 | HOSE (3) |
| M07 | RE300.M07 | C-RING |
| N13 | RE300.N13 | RETAINING RING |
| P13 | SN10.S | STEEL NUT M10 ZINC DIN934(SINGLE) |
| P14 | RE300.P14 | SPRING WASHER |
| P15 | RE300.P15 | WASHER |
| P24 | RE300.P24 | HOSE CONNECTOR |
| -- | RE300.AS | ARM UPDATE KIT (SET OF 2) (NOT SHOWN) |
| -- | RE300.ASS | ARM UPDATE KIT (SINGLE ARM) (NOT SHOWN) |
| -- | RE300.PP | PLASTIC PISTON (NOT SHOWN) |
| -- | RE300.BK | BLACK KNOB (NOT SHOWN) |
| -- | RE300.FK | FITTING KIT (NOT SHOWN) |

NOTE: It is our policy to continually improve products and as such we reserve the right to alter data, specifications and component parts without prior notice.

IMPORTANT: No liability is accepted for incorrect use of product.

WARRANTY: Guarantee is 12 months from purchase date, proof of which will be required for any claim.

Sealey Group, Kempson Way, Suffolk Business Park, Bury St Edmunds, Suffolk. IP32 7AR



01284 757500



01284 703534



sales@sealey.co.uk



www.sealey.co.uk