

Item	Part No.	Description	Qty
1	RE2500-01	Frame	1
2	RE2500-02	Right Arm Assembly	1
3	RE2500-03	Left Arm Assembly	1

Item	Part No.	Description	Qty
4	RE2500-04	Lock Handle M8x20	2
5	RE2500-05	Support Beam	1
6	RE2500-06	Moveable Clamp	2

NOTE: It is our policy to continually improve products and as such we reserve the right to alter data, specifications and component parts without prior notice. There may be alternative versions of this product, please contact us should you require this information.

IMPORTANT: No liability is accepted for incorrect use of product. Spare parts must be fitted by a competent person

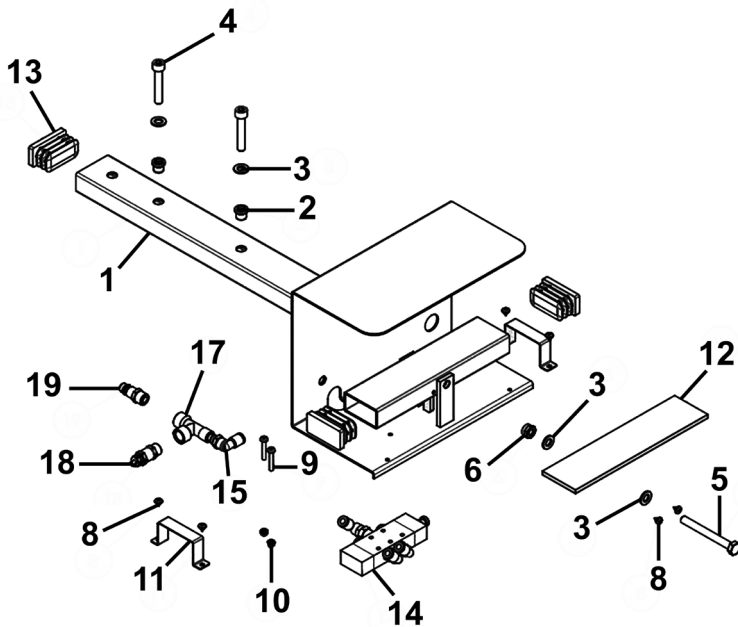
WARRANTY: Guarantee is 12 months from purchase date, proof of which will be required for any claim.



Parts Information:
Air Operated Coil Spring Compressor
2500kg
Model No: RE2500

Item	Part No.	Description	Qty
7	RE2500-07	Drive Pin for Support Beam	1
8	RE3000-40	End Plug	4
9	SS1235.S	Hex Head Set Screw M12 X 35 Zinc	4
10	RE2500-10	Column	2
11	RE2500-11	Washer (15x28x2.5)	1
12	FWM10.S	Flat Washer M10 Zinc	4
13	SN10.SD	Steel Nut M10 Domed	4
14	RE2500-14	Washer (13x24x2.5)	2
15	RE2500-15	Washer (37x13x3)	3
16	MSC816.S	Csk Phillips Machine Screw M8 X 16 Zinc	3
17	RE3000-18	Thread Insert M8	2
18	FWM8.SB	Flat Washer M8 Black	2
19	SCB845.SB	Socket Cap Bolt M8 x 45mm Black	2

Item	Part No.	Description	Qty
20	SCB825.SB	Socket Cap Bolt M8 x 25mm Black	2
21	RE2500-21	Protection Cage	1
22	RE2500-22	Lower Yoke Bracket	1
23	FWM6.S	Flat Washer M6 Zinc	4
24	MSP620.S	Machine Screw Pan Head Phillips M6 x 20mm	4
25	RE2500-25	Cylinder Assembly (Twin)	1
26	RE2500-26	Thread Insert M6	4
27	RE2500-27	Closing Plate	1
28	MSP510.S	Machine Screw Pan Head Phillips M5 x10mm	2
29	RE2500-29	Complete Pedal	1
30	RE2500-30	Foot Pedal Holder (Right Side)	1



Item	Part No.	Description	Qty
1	RE2500-F01	Foot Pedal Holder (Left Side)	1
2	RE3000-18	Thread Insert M8	2
3	FWM8.SB	Flat Washer M8 Black	4
4	SCB845.SB	Socket Cap Bolt M8 x 45mm Black	2
5	RE2500-F05	Hex Head Set Screw M8 x 75	1
6	NLN8.S	Nyloc Nut M8 Zinc	1
8	MSP48.S	Machine Screw Pan Head Phillips M4 X 8 mm	4
9	MSP425.S	Machine Screw Pan Head Phillips M4 x 25mm	2
10	NLN4.S	Nyloc Nut M4 Zinc	2
11	RE3000-F08	Pedal Bracket	2
12	RE3000-F05	Foam Pad 5x50mm	1
13	RE3000-40	End Plug	3
14	RE3000-F17	Complete Valve	1
15	RE3000-F16	Elbow	1
17	RE3000-F18	Connector (T-Shape)	1
18	RE3000-F19	Pressure Valve 10bar 1/4"	1
19	RE3000-F07	Quick Air Coupling	1

NOTE: It is our policy to continually improve products and as such we reserve the right to alter data, specifications and component parts without prior notice. There may be alternative versions of this product, please contact us should you require this information.

IMPORTANT: No liability is accepted for incorrect use of product. Spare parts must be fitted by a competent person

WARRANTY: Guarantee is 12 months from purchase date, proof of which will be required for any claim.

Sealey Group, Kempson Way, Suffolk Business Park, Bury St Edmunds, Suffolk. IP32 7AR



01284 757500



sales@sealey.co.uk



www.sealey.co.uk