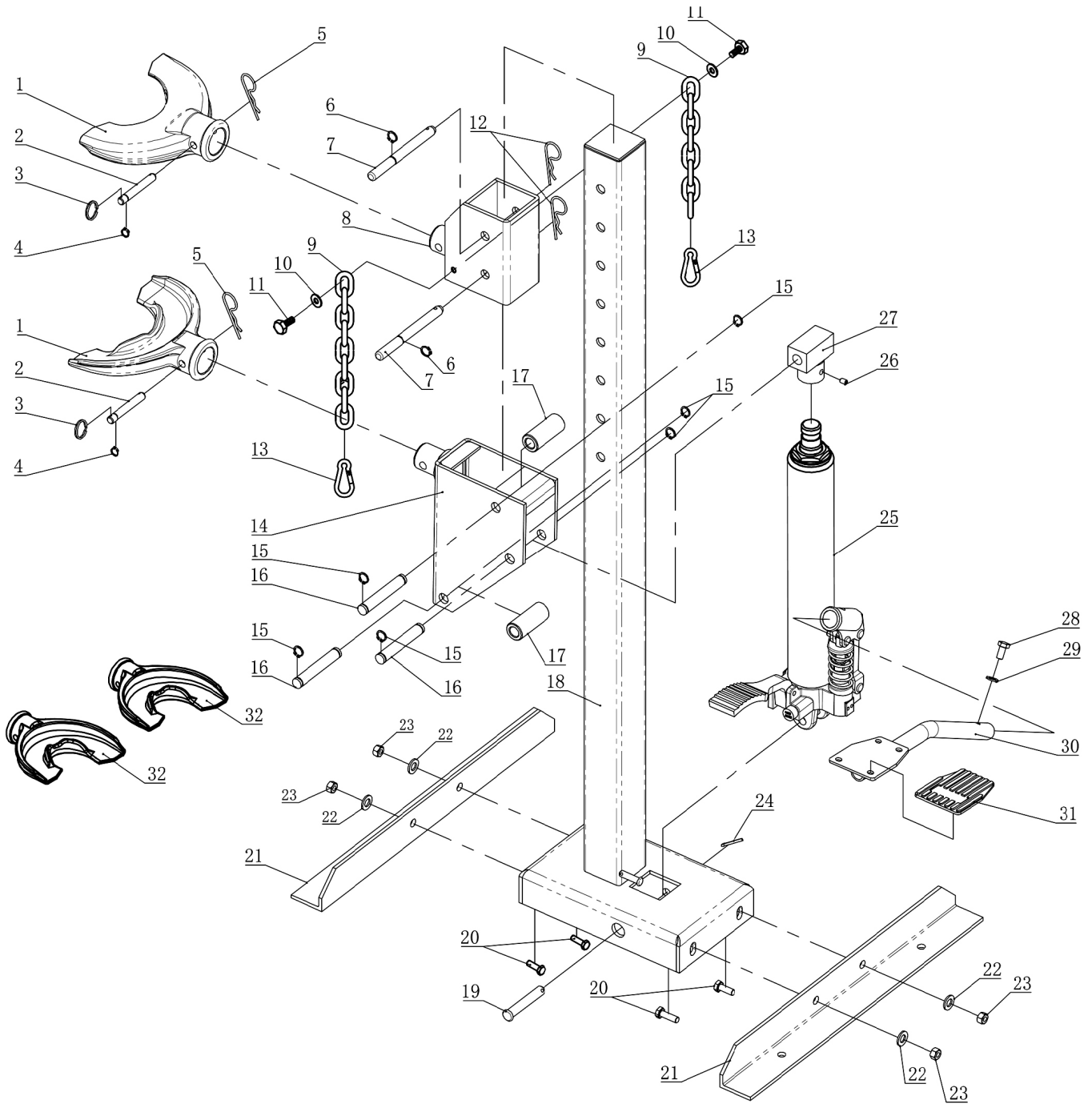


Parts Information:
Coil Spring Compressing Station Hydraulic
1500kg Capacity
Model No: RE231.V3



NOTE: It is our policy to continually improve products and as such we reserve the right to alter data, specifications and component parts without prior notice.

IMPORTANT: No liability is accepted for incorrect use of product.

WARRANTY: Guarantee is 12 months from purchase date, proof of which will be required for any claim.



Parts Information:
**Coil Spring Compressing Station Hydraulic
1500kg Capacity
Model No: RE231.V3**

Item	Part No.	Description
1	RE231.V3-01	CURVED COIL BRACKET (LARGE)
2	RE231.V3-02	PIN
3	RE231.V3-03	STEEL RING
4	RE231.V3-04	RETAINING RING
5	RE231.V3-05	R-PIN
6	RE231.V3-06	RETAINING RING
7	RE231.V3-07	PIN
8	RE231.V3-08	UPPER STRUT SUPPORT
9	RE231.V3-09	CHAIN
10	FWM6.S	FLAT WASHER M6 SINGLE
11	SS616.S	HEX HEAD SET SCREW M6x16mm SINGLE
12	RE231.V3-12	R-PIN
13	RE231.V3-13	SHACKLE
14	RE231.V3-14	LOWER STRUT SUPPORT
15	RE231.V3-15	RETAINING RING
16	RE231.V3-16	PIN
17	RE231.V3-17	BUSHING

Item	Part No.	Description
18	RE231.V3-18	UPRIGHT(MAIN FRAME)
19	RE231.V3-19	PIN
20	SS1025.S	HEX HEAD SET SCREW M10x25mm SINGLE
21	RE231.V3-21	BRACKET
22	FWM10.S	FLAT WASHER M10 SINGLE
23	SN10.S	STEEL NUT M10 ZINC DIN934(SINGLE)
24	RE231.V3-24	COTTER PIN
25	RE231.V3-25	RAM
26	RE231.V3-26	BOLT
27	RE231.V3-27	SADDLE
28	SS812.S	HEX HEAD SET SCREW M8x12mm SINGLE
29	FWM8.S	FLAT WASHER M8 SINGLE
30	RE231.V3-30	LIFT FOOT PEDAL
31	RE231.V3-31	RUBBER PAD
32	RE231.V3-32	CURVED COIL BRACKET (SMALL)
33	RE231.V3-33	WASHER

NOTE: It is our policy to continually improve products and as such we reserve the right to alter data, specifications and component parts without prior notice.

IMPORTANT: No liability is accepted for incorrect use of product.

WARRANTY: Guarantee is 12 months from purchase date, proof of which will be required for any claim.

Sealey Group, Kempson Way, Suffolk Business Park, Bury St Edmunds, Suffolk. IP32 7AR



01284 757500



01284 703534

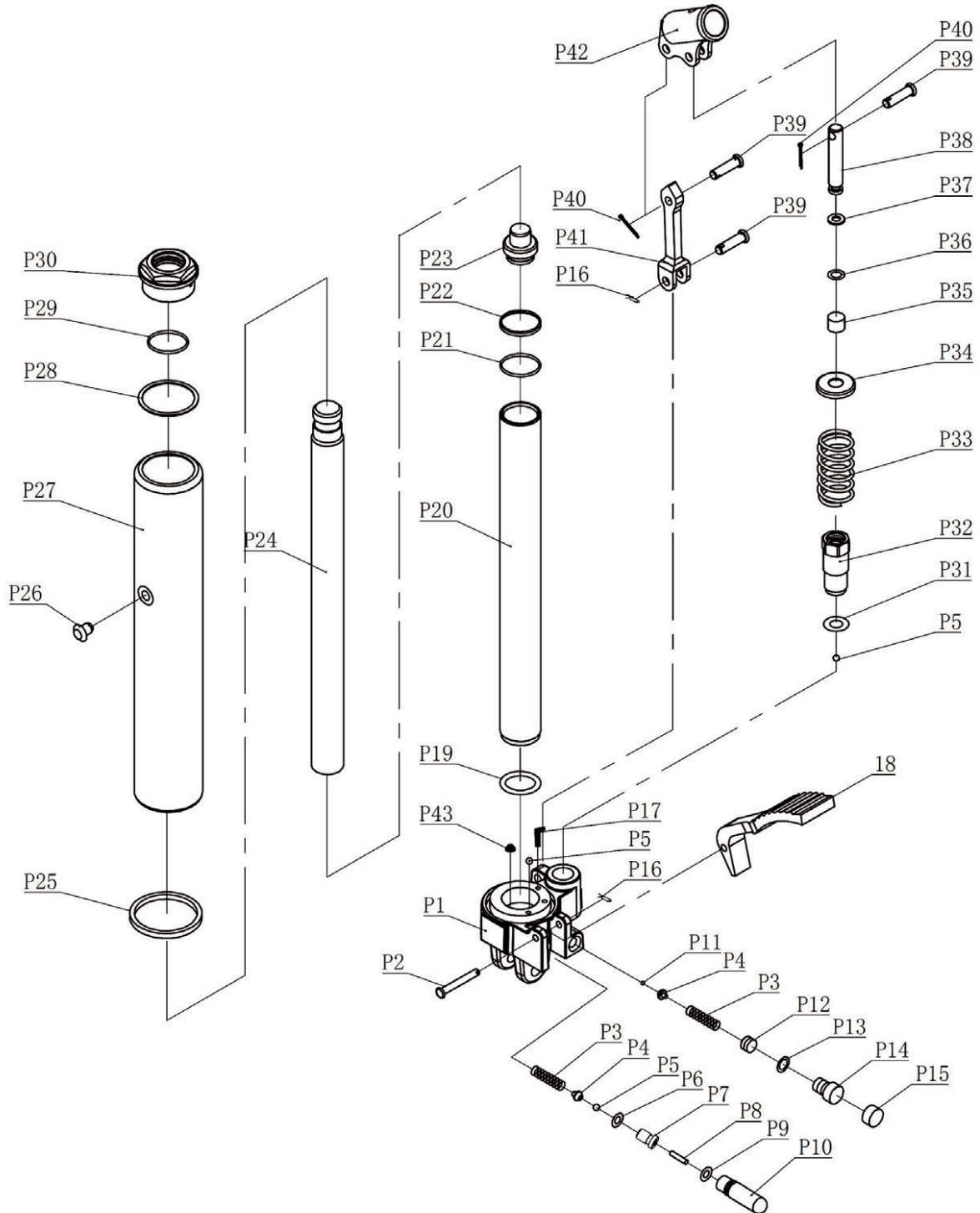


sales@sealey.co.uk



www.sealey.co.uk

Parts Information:
Coil Spring Compressing Station Hydraulic
1500kg Capacity
Model No: RE231.V3



NOTE: It is our policy to continually improve products and as such we reserve the right to alter data, specifications and component parts without prior notice.

IMPORTANT: No liability is accepted for incorrect use of product.

WARRANTY: Guarantee is 12 months from purchase date, proof of which will be required for any claim.



Parts Information:
**Coil Spring Compressing Station Hydraulic
1500kg Capacity
Model No: RE231.V3**

Item	Part No.	Description
P01	RE231.V3-P01	RAM BASE
P02	RE231.V3-P02	PEDAL PIN
P03	RE231.V3-P03	SPRING
P04	RE231.V3-P04	STEEL BALL HOLDER
P05	SB-5.6	STEEL BALL 5.6mm
P06	RE231.V3-P06	O-RING
P07	RE231.V3-P07	STEEL BALL CAP
P08	RE231.V3-P08	RELEASE VALVE ROD
P09	RE231.V3-P09	O-RING
P10	RE231.V3-P10	RELEASE VALVE
P11	SB-4.0	STEEL BALL 4.0mm
P12	RE231.V3-P12	BOLT
P13	RE231.V3-P13	O-RING
P14	RE231.V3-P14	BOLT
P15	RE231.V3-P15	PLASTIC CAP
P16	RE231.V3-P16	R-PIN
P17	RE231.V3-P17	OIL FILTER
P18	RE231.V3-P18	RELEASE FOOT PEDAL
P19	RE231.V3-P19	SEAL RING
P20	RE231.V3-P20	CYLINDER
P21	RE231.V3-P21	O-RING
P22	RE231.V3-P22	NYLON RING

Item	Part No.	Description
P23	RE231.V3-P23	PISTON TOP
P24	RE231.V3-P24	PISTON ROD
P25	RE231.V3-P25	SEAL RING
P26	RE231.V3-P26	OIL FILLER PLUG
P27	RE231.V3-P27	RESERVOIR
P28	RE231.V3-P28	NYLON RING
P29	RE231.V3-P29	O-RING
P30	RE231.V3-P30	TOP NUT
P31	FWM8.S	FLAT WASHER M8 SINGLE
P32	RE231.V3-P32	PUMP CYLINDER
P33	RE231.V3-P33	SPRING
P34	RE231.V3-P34	SPRING COVER
P35	RE231.V3-P35	DUST STOP
P36	RE231.V3-P36	O-RING
P37	RE231.V3-P37	RING
P38	RE231.V3-P38	PISTON
P39	RE231.V3-P39	PIN
P40	RE231.V3-P40	COTTER PIN
P41	RE231.V3-P41	LINK
P42	RE231.V3-P42	HANDLE SOCKET
P43	RE231.V3-P43	OIL FILTER

NOTE: It is our policy to continually improve products and as such we reserve the right to alter data, specifications and component parts without prior notice.

IMPORTANT: No liability is accepted for incorrect use of product.

WARRANTY: Guarantee is 12 months from purchase date, proof of which will be required for any claim.

Sealey Group, Kempson Way, Suffolk Business Park, Bury St Edmunds, Suffolk. IP32 7AR



01284 757500



01284 703534



sales@sealey.co.uk



www.sealey.co.uk