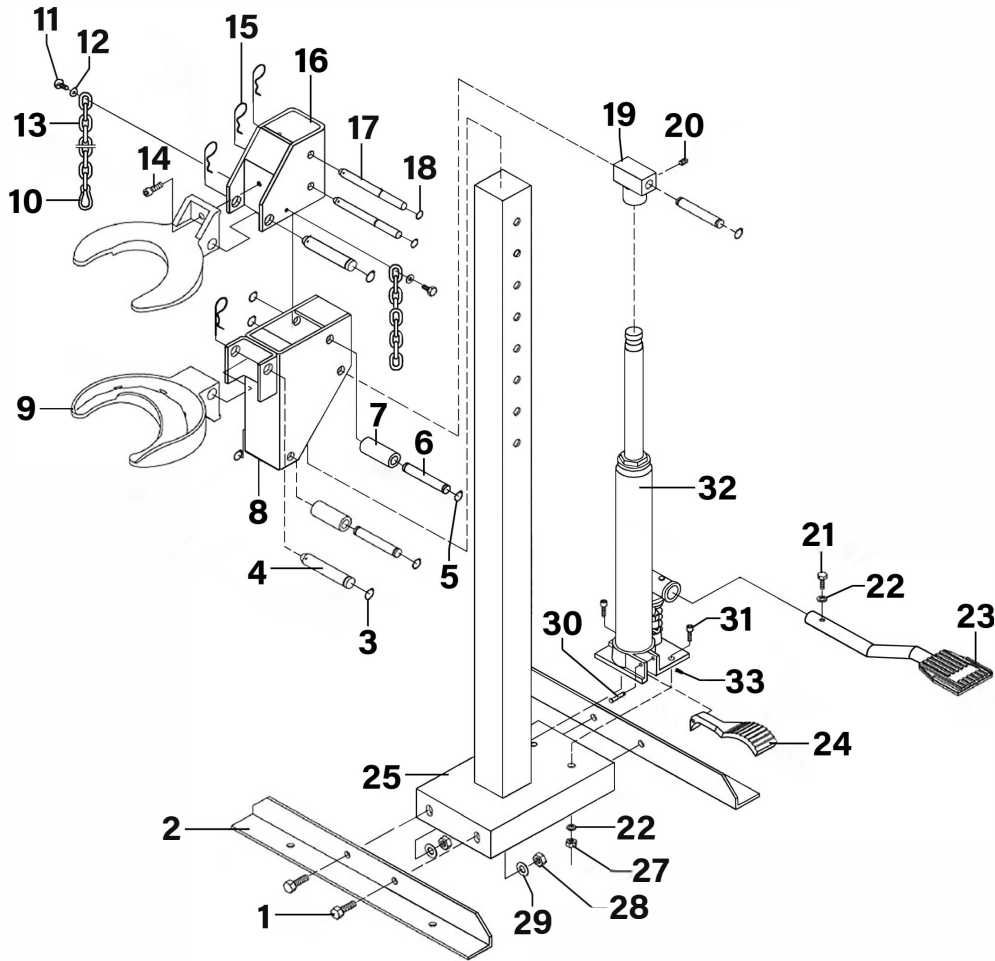


Parts Information: Coil Spring Compressing Station Hydraulic 1500kg Capacity Model No: RE231.V2



Item	Part No.	Description
1	SS1025.S	Hex Head Set Screw M10 X 25 Zinc
2	RE231.02	Bracket
3	3015CXD.01	External Circlip 16.3mm ID.
4	RE231.04	Locating Pin 18x100mm
5	RE231.05	External Circlip 12.8mm ID.
6	RE231.06	Locating Pin 14x87mm
7	RE231.07	Bushing
8	RE231.08	Lower Strut Support
9	RE231.09A	Curved Coil Bracket (Small) (Supplied As Singles)
10	RE231.V3-13	Shackle
11	SS616.S	Hex Head Set Screw M6 X 16 Zinc
12	FWM6.S	Flat Washer M6 Zinc
13	RE231.V3-09	Chain
14	SCB820.SB	Socket Cap Bolt M8 x 20mm Black
15	RE231.15	Pin (R-Shaped)
16	RE231.16	Upper Strut Support

Item	Part No.	Description
17	RE231.17	Locating Pin 12x133mm
18	RE231.18	External Circlip 10.8mm ID.
19	RE231.19	Saddle, Red T-Bar 58 x 32mm (14mm Bore) (Shaft Ø 34mm)
20	GSM810.S	Grub Screw M8x10 (Single)
21	SS812.S	Hex Head Set Screw M8 X 12 Zinc
22	FWM8.S	Flat Washer M8 Zinc
23	RE231.23	Lift Foot Pedal
24	RE231.24	Release Foot Pedal
25	RE231.25	Upright (Main Frame)
27	SN8.S	Steel Nut M8 Zinc
28	SN10.S	Steel Nut M10 Zinc
29	FWM10.S	Flat Washer M10 Zinc
30	RE231.30	Pin
31	SS812.S	Hex Head Set Screw M8 X 12 Zinc
32	RE231.32	Ram (Flat Bottom)
33	RE231.33	Pin

NOTE: It is our policy to continually improve products and as such we reserve the right to alter data, specifications and component parts without prior notice. There may be alternative versions of this product, please contact us should you require this information.

IMPORTANT: No liability is accepted for incorrect use of product. Spare parts must be fitted by a competent person

WARRANTY: Guarantee is 12 months from purchase date, proof of which will be required for any claim.