

Item	Part No.	Description	Qty
1	RE2000-01	Pump & Hose Assembly	1
2	RE2000-02	Ram Assembly	1
3	RE2000-03	Hex Key	1
4	RE2000-04	Base	1
5	RE2000-05	Ram Toe	1
6	RE2000-06	V Base	1
7	RE2000-07	Wedge Toe	1
8	RE2000-08	Plunger Toe	1

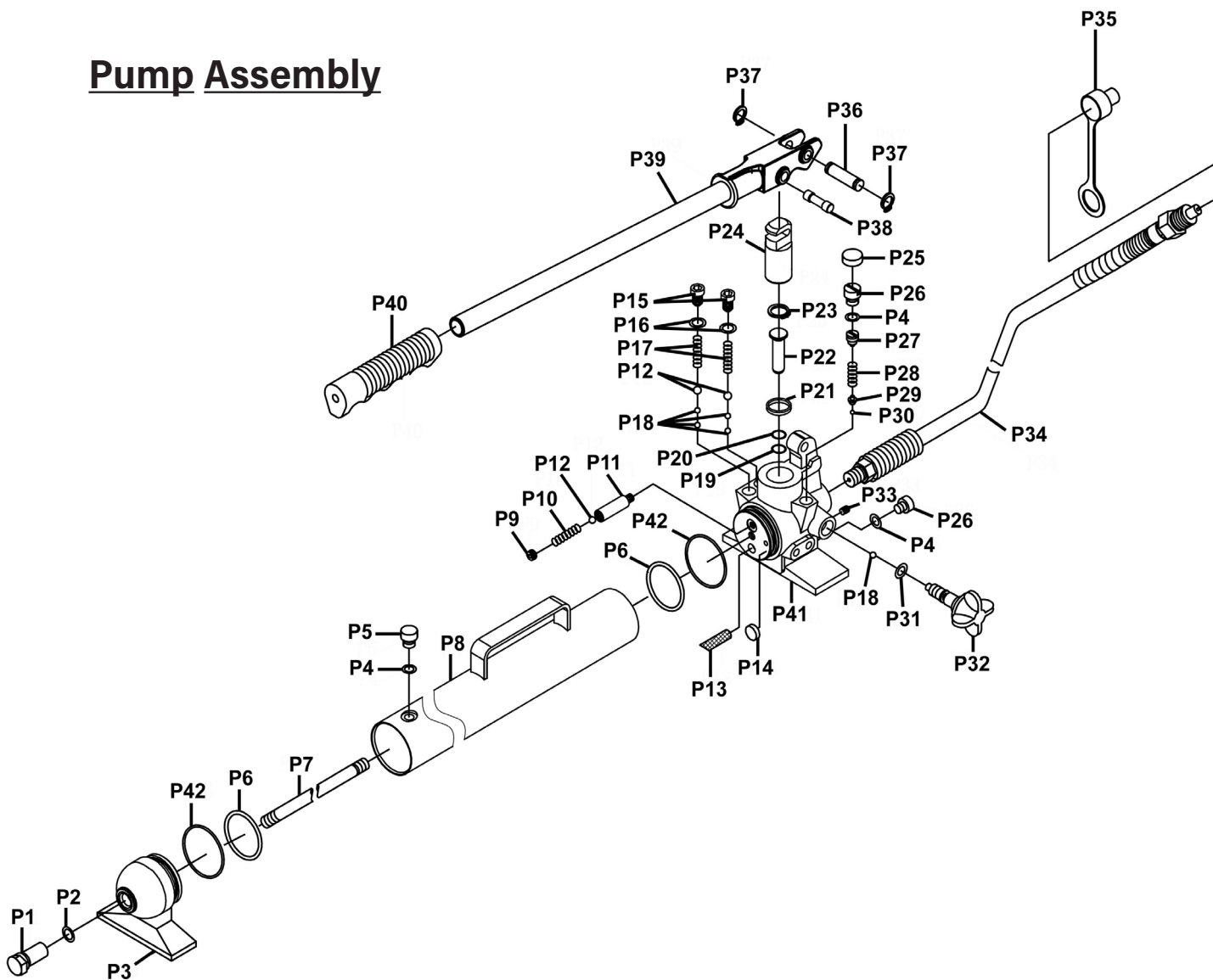
Item	Part No.	Description	Qty
9	RE2000-09	Extension Tube (72mm - 3")	3
10	RE2000-10	Connection Tube	3
11	RE2000-11	Extension Tube (127mm - 5")	1
12	RE2000-12	Extension Tube (255mm - 10")	1
13	RE2000-13	Extension Tube (508mm - 20")	1
14	RE2000-14	Extension Tube (700mm - 28")	1
15	RE2000-15	Steel Storage Case (A)	1
16	RE2000-16	Steel Storage Case (B)	1

NOTE: It is our policy to continually improve products and as such we reserve the right to alter data, specifications and component parts without prior notice. There may be alternative versions of this product, please contact us should you require this information.

IMPORTANT: No liability is accepted for incorrect use of product. Spare parts must be fitted by a competent person

WARRANTY: Guarantee is 12 months from purchase date, proof of which will be required for any claim.

Pump Assembly



Item	Part No.	Description	Qty
P01	RE2000-P01	Pump Foot Screw	1
P02	RE2000-P02	O-Ring Ø13.8 x 2.4mm	1
P03	RE2000-P03	Pump Foot	1
P04	RE2000-P04	O-Ring Ø7.8 x 2.2mm	3
P05	RE2000-P05	Oil Plug Screw	1
P06	RE2000-P06	O-Ring Ø48.7 x 3.5mm	2
P07	RE2000-P07	Inner Rod	1
P08	RE2000-P08	Reservoir	1
P09	RE2000-P09	Grub Screw	1
P10	RE2000-P10	Spring	1
P11	RE2000-P11	Spring Seat	1
P12	SB-8.0	Steel Ball 8.0mm	3

Item	Part No.	Description	Qty
P13	RE2000-P13	Reservoir Filter	1
P14	RE2000-P14	Magnetic Ring Ø6.4	1
P15	RE2000-P15	Socket Cap Screw	2
P16	RE2000-P16	Copper Washer	2
P17	RE2000-P17	Spring	2
P18	SB-5.6	Steel Ball 5.6mm	5
P19	RE2000-P19	O-Ring Ø11.8 x 2.4mm	1
P20	RE2000-P20	Nylon Split Washer	1
P21	RE2000-P21	U-Ring Ø28 x 35.5 x 5mm	1
P22	RE2000-P22	Piston (Small)	1
P23	RE2000-P23	External Circlip Ø20	1
P24	RE2000-P24	Pump Plunger (Large)	1

NOTE: It is our policy to continually improve products and as such we reserve the right to alter data, specifications and component parts without prior notice. There may be alternative versions of this product, please contact us should you require this information.

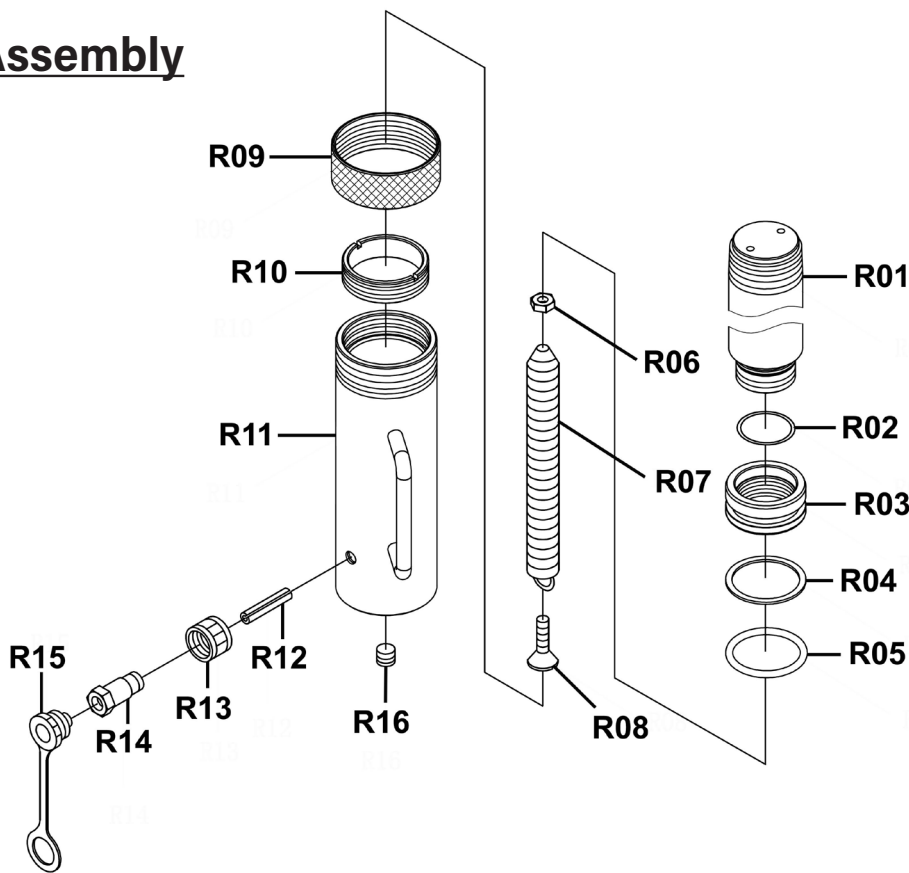
IMPORTANT: No liability is accepted for incorrect use of product. Spare parts must be fitted by a competent person

WARRANTY: Guarantee is 12 months from purchase date, proof of which will be required for any claim.

Item	Part No.	Description	Qty
P25	RE2000-P25	Red Cap	1
P26	RE2000-P26	Locking Screw	2
P27	RE2000-P27	Screw for Spring	1
P28	RE2000-P28	Spring	1
P29	RE2000-P29	Steel Ball Base Spring	1
P30	SB-3.5	Steel Ball 3.5mm	1
P31	RE2000-P31	O-Ring Ø5.5 x 3mm	1
P32	RE2000-P32	Release Valve	1
P33	GSM68.S	Grub Screw M6x8 (single)	1

Item	Part No.	Description	Qty
P34	RE2000-P34	Hose	1
P35	RE2000-P35	Dust Cap	1
P36	RE2000-P36	Handle Socket Pin	1
P37	RE2000-P37	External Circlip Ø9	2
P38	RE2000-P38	Pump Pluger Pin	1
P39	RE2000-P39	Handle Assembly	1
P40	RE2000-P40	Handle Grip	1
P41	RE2000-P41	Pump Base	1
P42	RE2000-P42	O-Ring 52 x 1.5mm	2

Ram Assembly



Item	Part No.	Description	Qty
R01	RE2000-R01	Piston Rod	1
R02	RE2000-R02	O-Ring Ø46 x 2.5mm	1
R03	RE2000-R03	Piston	1
R04	RE2000-R04	Washer	1
R05	RE2000-R05	O-Ring Ø54.6 x 5.7mm	1
R06	SN8.S	Steel Nut M8 Zinc	1
R07	RE2000-R07	Return Spring	1
R08	RE2000-R08	Cask Socket Machine Screw M8x30	1

Item	Part No.	Description	Qty
R09	RE2000-R09	Ram Cover	1
R10	RE2000-R10	Limit Ring	1
R11	RE2000-R11	Cylinder	1
R12	RE2000-R12	Spring Pin Ø8x60	1
R13	RE2000-R13	Female Connector Nut	1
R14	RE2000-R14	Coupling Connector	1
R15	RE2000-R15	Dust Cap	1
R16	RE2000-R16	Grub Screw	1

NOTE: It is our policy to continually improve products and as such we reserve the right to alter data, specifications and component parts without prior notice. There may be alternative versions of this product, please contact us should you require this information.

IMPORTANT: No liability is accepted for incorrect use of product. Spare parts must be fitted by a competent person

WARRANTY: Guarantee is 12 months from purchase date, proof of which will be required for any claim.