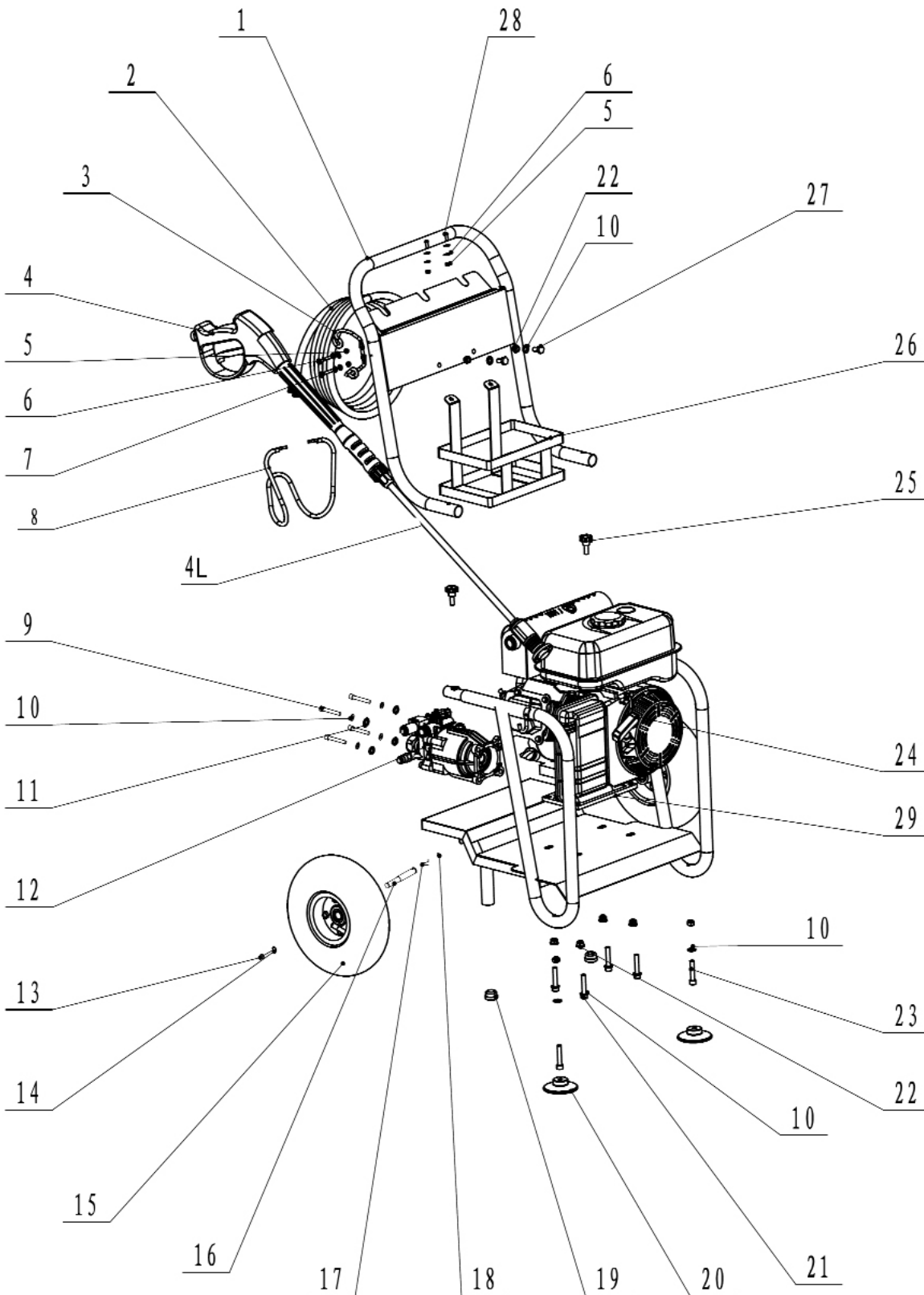




Parts Information:
Pressure Washer 220bar 600ltr/hr 6.5hp
Petrol
Model No: PWM2500



NOTE: It is our policy to continually improve products and as such we reserve the right to alter data, specifications and component parts without prior notice.

IMPORTANT: No liability is accepted for incorrect use of product.

WARRANTY: Guarantee is 12 months from purchase date, proof of which will be required for any claim.

Sealey Group, Kempson Way, Suffolk Business Park, Bury St Edmunds, Suffolk. IP32 7AR



01284 757500



01284 703534



sales@sealey.co.uk



www.sealey.co.uk



Parts Information:
**Pressure Washer 220bar 600ltr/hr 6.5hp
Petrol
Model No: PWM2500**

Item	Part No.	Description
1	PWM2500.F01	FRAME COMPLETE (2pcs)
2	PWM2500.F02	HIGH PRESSURE HOSE
3	PWM2500.F03	GUN HOOK
4	PWM2500.F04	HIGH PRESSURE GUN
4L	PWM2500.F04L	LANCE ONLY FOR PRESSURE GUN
5	NLN5.S	NYLOC NUT M5 ZINC DIN 985 (SINGLE)
6	FWM5.S	FLAT WASHER M5 SINGLE
7	MSP535.S	MACHINE SCREW PAN HEAD PHILLIPS M5x35mm
8	PWM2500.F08	HOSE HOOK
9	PWM2500.F09	HEX BOLT (M8x25)
10	RW825.S	REPAIR WASHER M8x25 (SINGLE)
11	SWM8.S	SPRING WASHER M8 ZINC (SINGLE)
12	PWM2500.F12	PUMP ASSEMBLY
13	PWM2500.F13	WHEEL RING 16mm
14	PWM2500.F14	WASHER FWM16.S

Item	Part No.	Description
15	PWDM3600.18	WHEEL 4.10x3.50-4 16mm bore
16	PWM2500.F16	WHEEL AXLE
17	PWM2500.F17	R-PIN
18	PWM2500.F18	BRASS BUNG
19	PWM2500.F19	FRAME PLUG
20	PWM2500SP.F17	RUBBER FOOT
21	SCB840.SB	SOCKET HEAD CAP SCREW M8x40 BLACK
22	NLN8.S	NYLOC NUT M8 ZINC DIN 985 (SINGLE)
23	PWM2500.F23	HEX BOLT (M8x40)
24	PWM2500SP.F08	PETROL ENGINE 6.5hp
25	PWM2500.F25	FRAME FIXING BOLT (M8x30)
26	PWM2500.F26	STORAGE CASE
27	PWM2500.F27	BOLT (M8x15)
28	MSP512.S	MACHINE SCREW PAN HEAD PHILLIPS M5x12mm
29	PWM2500.F29	ENGINE MOUNT RUBBER GASKET

NOTE: It is our policy to continually improve products and as such we reserve the right to alter data, specifications and component parts without prior notice.

IMPORTANT: No liability is accepted for incorrect use of product.

WARRANTY: Guarantee is 12 months from purchase date, proof of which will be required for any claim.

Sealey Group, Kempson Way, Suffolk Business Park, Bury St Edmunds, Suffolk. IP32 7AR



01284 757500



01284 703534

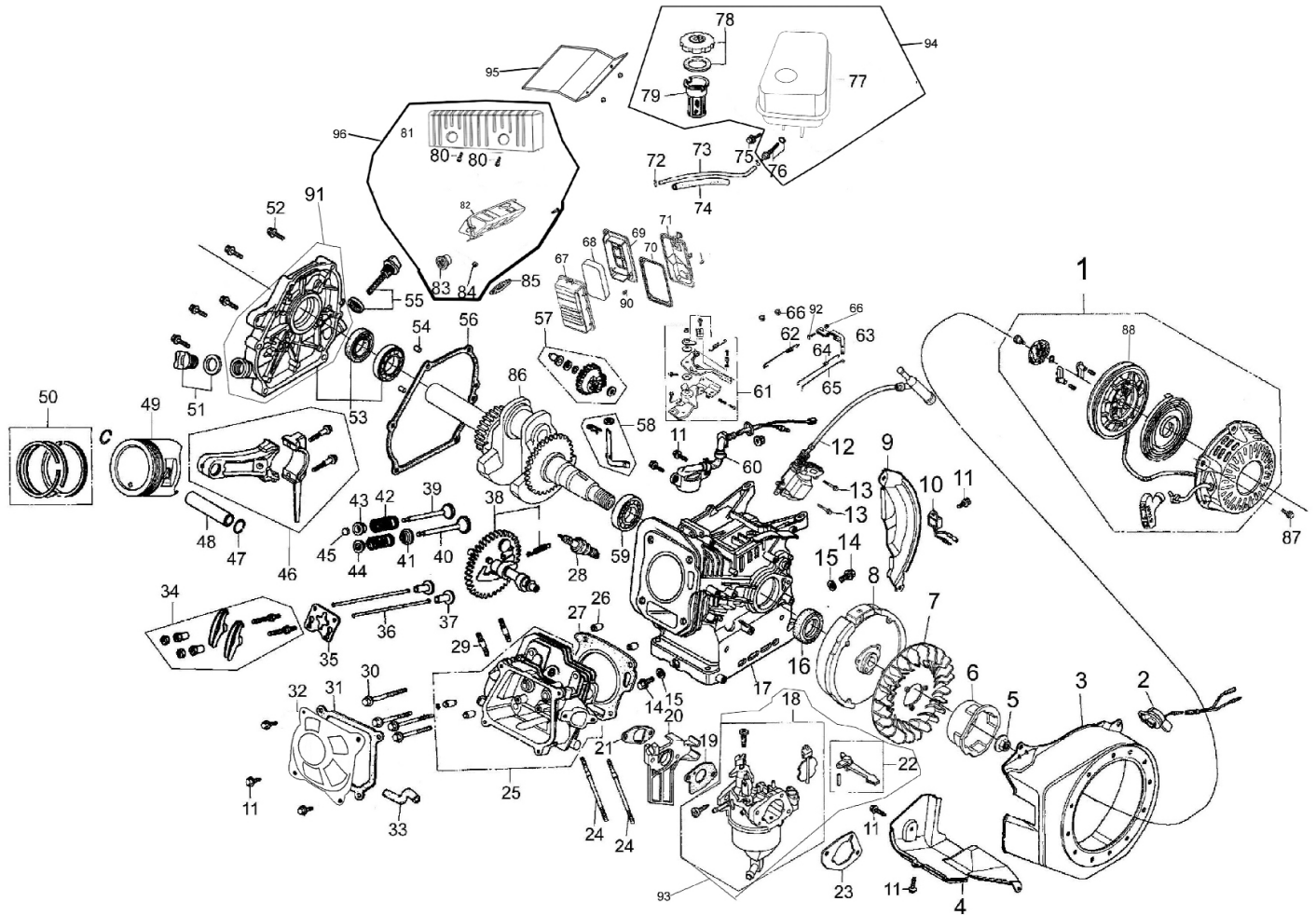


sales@sealey.co.uk



www.sealey.co.uk

ENGINE PARTS:



NOTE: It is our policy to continually improve products and as such we reserve the right to alter data, specifications and component parts without prior notice.

IMPORTANT: No liability is accepted for incorrect use of product.

WARRANTY: Guarantee is 12 months from purchase date, proof of which will be required for any claim.



Parts Information:
**Pressure Washer 220bar 600ltr/hr 6.5hp
 Petrol
 Model No: PWM2500**

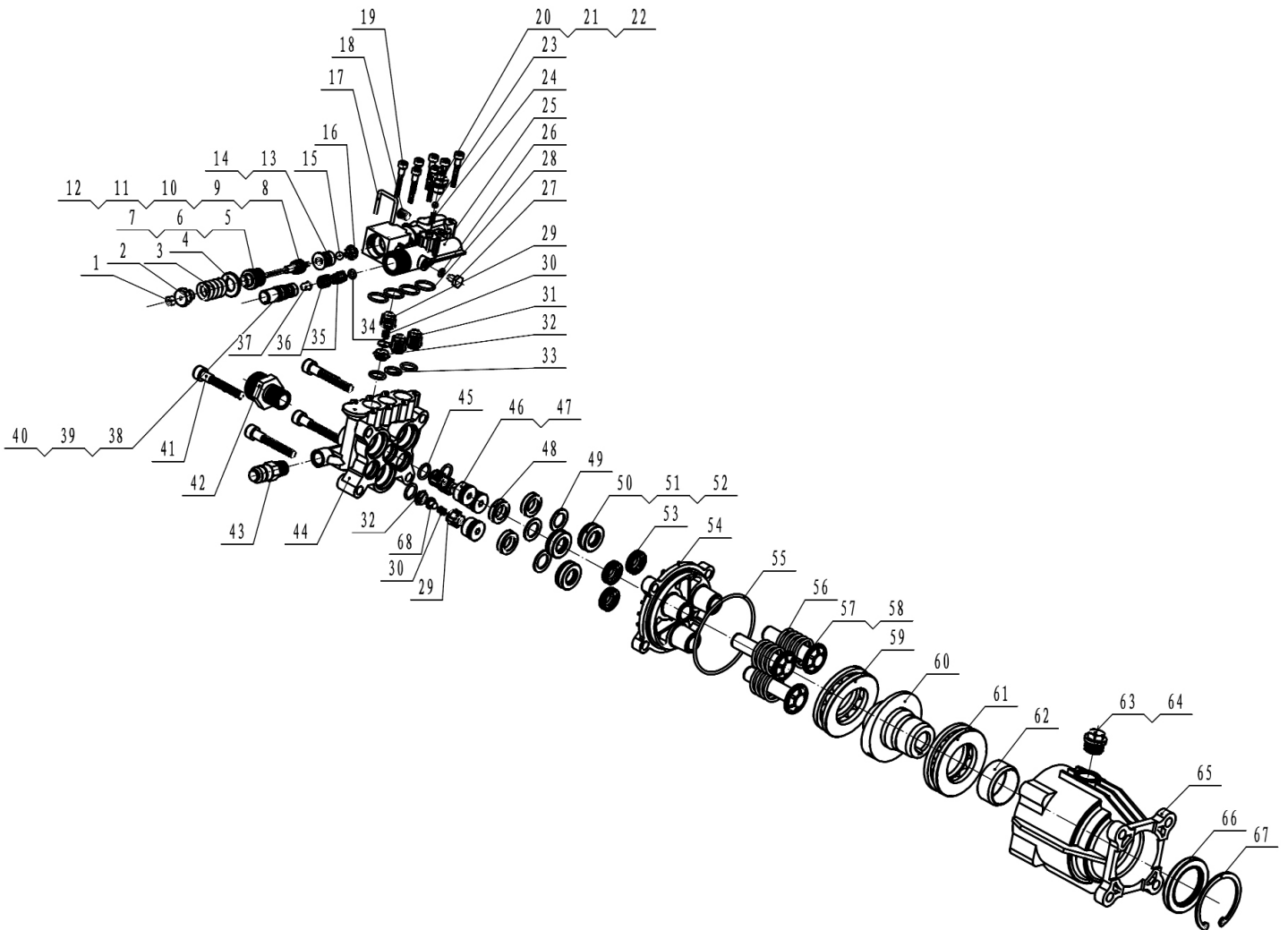
Item	Part No.	Description
1	PWM2500SP.E01	RECOIL STARTER COMPLETE
2	PWM2500SP.E02	ENGINE SWITCH
3	PWM2500SP.E03	FAN COVER COMPLETE
4	PWM2500SP.E04	SHROUD COMPLETE
5	SN14.S	STEEL NUT M14 ZINC DIN934(SINGLE)
6	PWM2500SP.E06	STARTER PULLEY
7	PWM2500SP.E07	COOLING FAN
8	PWM2500SP.E08	FLYWHEEL COMPLETE
9	PWM2500SP.E09	SIDE PLATE
10	PWM2500SP.E10	DIODE
11	PWM2500SP.E11	FLANGE BOLT (M6x12)
12	PWM2500SP.E12	IGNITION COIL ASS'Y
13	PWM2500SP.E13	FLANE BOLT (M6x25)
14	PWM2500SP.E14	DRAIN BOLT
15	PWM2500SP.E15	DRAIN WASHER
16	PWM2500SP.E16	OIL SEAL (25x41.25x6)
17	PWM2500SP.E17	CRANKCASE ASS'Y
18	PWM2500SP.E93	CARBURETOR ASS'Y
19	PWM2500SP.E19	CARBURETOR GASKET
20	PWM2500SP.E20	CARBURETOR INSULATOR
21	PWM2500SP.E21	INSULATOR PACKING
22	PWM2500SP.E22	CHOKE LEVEL COMPLETE
23	PWM2500SP.E23	AIR CLEANER PACKING
24	PWM2500SP.E24	BOLT HEAD (M6x112)
25	PWM2500SP.E25	CLYINDER HEAD COMPLETE
26	PWM2500SP.E26	DOWEL PIN (10x16)
27	PWM2500SP.E27	CYLINDER HEAD GASKET
28	PWM2500SP.E28	SPARK PLUG
29	PWM2500SP.E29	BOLT HEAD (M8x35)
30	PWM2500SP.E30	FLANGE BOLT (M8x55)
31	PWM2500SP.E31	CYLINDER HEAD COVER GASKET
32	PWM2500SP.E32	CYLINDER HEAD COVER COMPLETE
33	PWM2500SP.E33	BREATHER
34	PWM2500SP.E34	VALVE ROCKER ARM ASS'Y
35	PWM2500SP.E35	PUSHROD GUIDE PLATE
36	PWM2500SP.E36	PUSHROD
37	PWM2500SP.E37	VALVE LIFTER
38	PWM2500SP.E38	CAMSHAFT ASS'Y
39	PWM2500SP.E39	VALVE, EXHAUST
40	PWM2500SP.E40	VALVE, INTAKE
41	PWM2500SP.E41	VALVE SPRING SEAT
42	PWM2500SP.E42	VALVE SPRING
43	PWM2500SP.E43	VALVE SPRING RETAINER, EX
44	PWM2500SP.E44	VALVE SPRING RETAINER, IN
45	PWM2500SP.E45	VALVE ROTATOR
46	PWM2500SP.E46	PISTON PIN
47	PWM2500SP.E47	PISTON PIN CLIP
48	PWM2500SP.E48	PISTON PIN
49	PWM2500SP.E49	PISTON

Item	Part No.	Description
50	PWM2500SP.E50	PISTON RING SET
51	PWM2500SP.E51	OIL CAP
52	PWM2500SP.E52	FLANGE BOLT (M8x32)
53	PWM2500SP.E53	OIL SEAL (25x41.25x6)
54	PWM2500SP.E54	DOWEL PIN (8x14)
55	PWM2500SP.E55	OIL FILLER CAP ASS'Y
56	PWM2500SP.E56	CASE COVER PACKING
57	PWM2500SP.E57	GOVERNOR ASS'Y
58	PWM2500SP.E58	GOVERNOR SHAFT ASS'Y
59	PWM2500SP.E59	RADIAL BEARING (6025)
60	PWM2500SP.E60	OIL LEVEL SWITCH ASS'Y
61	PWM2500SP.E61	CONTROL ASS'Y
62	PWM2500SP.E62	GOVERNOR SPRING
63	PWM2500SP.E63	GOVERNOR ARM
64	PWM2500SP.E64	THROTTLE RETURN SPRING
65	PWM2500SP.E65	GOVERNOR ROD
66	SN6.S	STEEL NUT M6 ZINC DIN934 (SINGLE)
67	PWM2500SP.E67	AIR CLEANER FRONT CASE
67	PWM2500SP.E69	AIR CLEANER ELEMENT (INCL PARTS 67/68/70)
69	PWM2500SP.E69	AIR CLEANER ELEMENT (INCL PARTS 67/68/70)
70	PWM2500SP.E70	AIR CLEANER COVER
71	PWM2500SP.E71	AIR CLEANER SET
72	PWM2500SP.E72	OIL TUBE CLIP
73	PWM2500SP.E73	OIL TUBE (4x8x150)
75	PWM2500SP.E75	SCREW (M6x28)
76	PWM2500SP.E76	FUEL TANK JOINT
77	PWM2500SP.E77	FUEL TANK
78	PWM2500SP.E78	FUEL TANK CAP
79	PWM2500SP.E79	FUEL FILTER
80	PWM2500SP.E80	TAPPING SCREW (M5x8)
81	PWM2500SP.E81	MUFFLER PROTECTOR
82	PWM2500SP.E82	MUFFLER
83	PWM2500SP.E83	SPARK PLUG
84	SN8.S	STEEL NUT M8 ZINC DIN934 (SINGLE)
85	PWM2500SP.E85	FUEL PIPE, EX
86	PWM2500SP.E86	CRANKSHAFT COMPLETE
87	PWM2500SP.E87	SCREW (M6x12)
88	PWM2500SP.E88	RATCHET GUIDE PLATE
89	PWM2500SP.E89	SCREW (M6x12)
90	PWM2500SP.E90	SCREW (M6x12)
91	PWM2500SP.E91	CRANKCASE COVER ASS'Y
92	PWM2500SP.E92	SCREW (M6x21)
93	PWM2500SP.E93	CARBURETOR ASS'Y
94	PWM2500SP.E94	FUEL TANK
--	GG1100.38	FUEL SWITCH (NOT SHOWN)
95	PWM2500SP.E95	FUEL TANK SUPPORT
96	PWM2500SP.E96	MUFFLER ASS'Y



Parts Information:
Pressure Washer 220bar 600ltr/hr 6.5hp
Petrol
Model No:PWM2500

PUMP PARTS:



NOTE: It is our policy to continually improve products and as such we reserve the right to alter data, specifications and component parts without prior notice.

IMPORTANT: No liability is accepted for incorrect use of product.

WARRANTY: Guarantee is 12 months from purchase date, proof of which will be required for any claim.

Sealey Group, Kempson Way, Suffolk Business Park, Bury St Edmunds, Suffolk. IP32 7AR



01284 757500



01284 703534



sales@sealey.co.uk



www.sealey.co.uk



Parts Information:
Pressure Washer 220bar 600ltr/hr 6.5hp
Petrol
Model No: PWM2500

Item	Part No.	Description
1	SN5.S	STEEL NUT M5 ZINC DIN934 (SINGLE)
2	PWM2500.P02	ADJUSTING PRESSURE NUT
3	PWM2500.P03	ADJUSTING PRESSURE SPRING
4	PWM2500.P04	WASHER M12 (PRESSURE ADJUSTING)
5	PWM2500.P05	VALVE COVER
6	PWM2500.P06	O-RING (14x1.8)
7	PWM2500.P07	O-RING (12.4x1.8)
8	PWM2500.P08	VALVE ROD ASS'Y
9	PWM2500.P09	SPLIT RING (A)
10	PWM2500.P10	O-RING (6.07x1.8)
11	PWM2500.P11	SPLIT RING (B)
12	PWM2500.P12	O-RING (8.6x1.8)
13	PWM2500.P13	UPPER COVER
14	PWM2500.P14	O-RING (9.5x1.8)
15	SB-7.0	STEEL BALL 7.0mm
16	PWM2500.P16	VALVE SEAT
17	PWM2500.P17	U-PIN
18	PWM2500.P18	SCREW
19	SCB530.SB	SOCKET HEAD CAP SCREW M5x30 BLACK
20	PWM2500.P20	VALVE BODY
21	PWM2500.P21	O-RING (4x1.5)
22	3000LJV2-P20	O-RING (8x1.8)
23	SB-5.0	STEEL BALL 5.0mm
24	PWM2500.P24	INJECTOR SPRING
25	PWM2500.P25	DRAIN HOSE
26	PWM2500.P26	O-RING (4.5x1.8)
27	PWM2500.P27	LOCATING BOLT
28	PWM2500.P28	O-RING (15.4x1.9)
29	PWM2500.P29	CHECK VALVE
30	PWM2500.P30	CHECK VALVE SPRING
31	PWM2500.P31	CHECK VALVE WASHER
32	PWM2500.P32	CHECK VALVE SEAT
33	PWM2500.P33	O-RING (11.2x1.8)
34	PWM2500SP.P35	O-RING (5x2)

Item	Part No.	Description
35	PWM2500.P35	NON-RETURN VALVE ROD
36	PWM2500.P36	NON-RETURN VALVE SPRING
37	PWM2500.P37	COPPER COVER
38	PWM2500.P38	VENTURI TUBE
39	PWM2500.P39	O-RING (9.3x1.8)
40	PWM2500.P40	O-RING (8x2)
41	PWM2500.P41	SOCKET HEAD CAP SCREW M8x50
42	PWM2500.P42	INLET WATER CONNECTOR
43	PWM2500.P43	THERMAL RELIEF CAP
44	PWM2500.P44	PUMP COVER
45	PWM2500.P45	O-RING (12x2)
46	PWM2500.P46	O-RING (15x2)
47	PWM2500.P47	CHECK VALVE NUT
48	PWM2500.P48	Y SEAL
49	PWM2500.P49	SEAL RING
50	PWM2500.P50	WATER SEAL COVER
51	PWM2500.P51	O-RING (14x2.6)
52	PWM2500.P52	O-RING (23x2.8)
53	PWM2500.P53	PISTON OIL SEAL
54	PWM2500.P54	PUMP SEAT
55	PWM2500.P55	O-RING (75x2.5)
56	PWM2500.P56	PISTON SPRING
57	PWM2500.P57	PISTON
58	PWM2500.P58	PISTON SPRING SEAT
59	B/51307A	BEARING RACE 51307A
60	PWM2500.P60	WOBBLE PLATE
61	B/51307B	BEARING RACE 51307B
62	PWM2500.P62	CAM COVER
63	PWM2500.P63	PLUG
64	PWM2500SP.P28	O-RING (15.4x1.8)
65	PWM2500.P65	BACK HOUSING
66	PWM2500.P66	OIL SEAL
67	PWM2500.P67	RETAINING RING
68	PWM2500.P68	CHECK VALVE ROD

NOTE: It is our policy to continually improve products and as such we reserve the right to alter data, specifications and component parts without prior notice.

IMPORTANT: No liability is accepted for incorrect use of product.

WARRANTY: Guarantee is 12 months from purchase date, proof of which will be required for any claim.

Sealey Group, Kempson Way, Suffolk Business Park, Bury St Edmunds, Suffolk. IP32 7AR



01284 757500



01284 703534



sales@sealey.co.uk



www.sealey.co.uk