

NOTE: It is our policy to continually improve products and as such we reserve the right to alter data, specifications and component parts without prior notice. There may be alternative versions of this product, please contact us should you require this information.

IMPORTANT: No liability is accepted for incorrect use of product. Spare parts must be fitted by a competent person

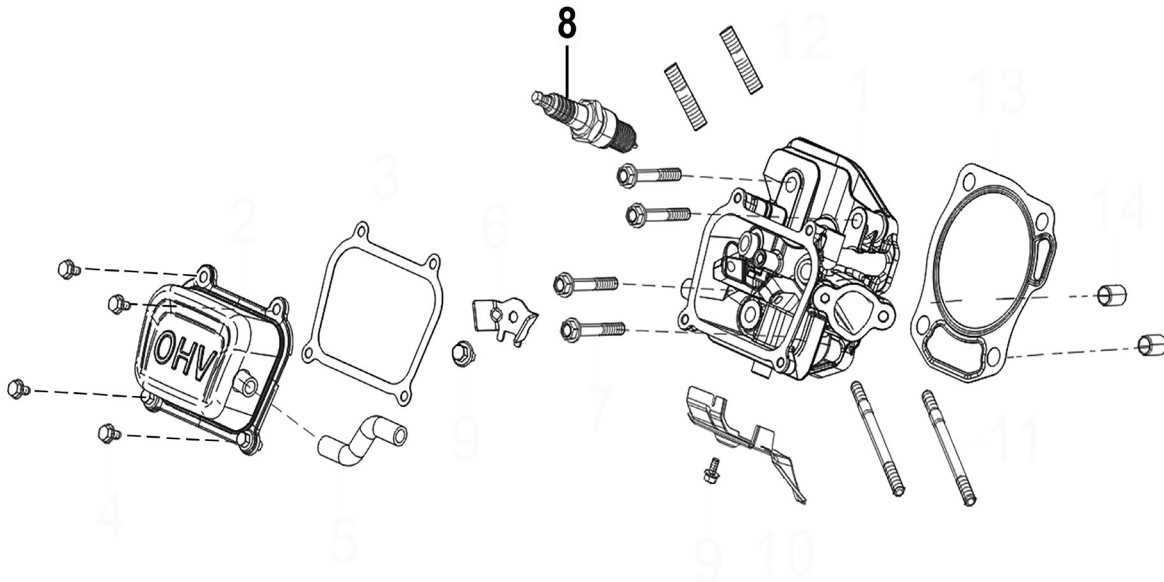
WARRANTY: Guarantee is 12 months from purchase date, proof of which will be required for any claim.



Parts Information:
**Pressure Washer 220bar 510L/hr 4.8hp -
 Petrol**
Model No: PWM2500.V3

Item	Part No.	Description	Qty
1	PWM2500-V3-F01	Hex Socket Flange Bolt	4
2	PWM2500-V3-F02	Face Plate	1
3	PWM2500-V3-F03	Nozzle (Red)	1
4	PWM2500-V3-F04	Nozzle (Yellow)	1
5	PWM2500-V3-F05	Nozzle (Black)	1
6	PWM2500-V3-F06	Nozzle (Green)	1
7	PWM2500-V3-F07	Nozzle (White)	1
8	PWM2500-V3-F08	Nozzle Base	5
9	PWM2500-V3-F09	Upper Handle	1
10	PWM2500-V3-F10	Handle Grip	1
11	PWM2500-V3-F11	Pressue Hose Hanger	1
12	PWM2500-V3-F12	Pressure Gun Holster	1
13	PWM2500-V3-F13	Hex Socket Flange Bolt	4
14	PWM2500-V3-F14	Washer	4
15	PWM2500-V3-F15	Lock Nut	5
16	PWM2500-V3-F16	Hex Socket Flange Bolt	4
17	PWM2500-V3-F17	Pump Assembly	1
18	PWM2500-V3-F18	Flat Key	1
19	PWM2500-V3-F19	Frame Adjustment Arm	2
20	PWM2500-V3-F20	Frame Assembly	1

Item	Part No.	Description	Qty
21	PWM2500-V3-F21	Flange Hex Nut	8
22	PWM2500-V3-F22	Vibration Absorber	4
23	PWM2500-V3-F23	Rear Wheel Shaft	2
24	PWM2500-V3-F24	R-Pin	2
25	PWM2500-V3-F25	Rear Wheel	2
26	PWM2500-V3-F26	Bottom Base Plate	1
27	PWM2500-V3-F27	Hex Socket Flange Bolt	7
28	PWM2500-V3-F28	Washer	2
29	PWM2500-V3-F29	Wire Grip	1
30	PWM2500-V3-F30	Hex Socket Flange Bolt	1
31	PWM2500-V3-F31	Front Foot Shock Absorber	1
32	PWM2500-V3-F32	Suction Pipe	1
33	PWM2500-V3-F33	Suction Pipe Clamp	2
34	PWM2500-V3-F34	Detergent Tank	1
35	PWM2500-V3-F35	Detergent Tank Cap	1
36	PWM2500-V3-F36	Pressure Gun	1
37	PWM2500-V3-F37	Engine	1
38	PWM2500-V3-F38	Pressure Lance	1
39	PWM2500-V3-F39	Pressure Hose	1



Item	Part No.	Description	Qty
8	PWM2500-V3-E03-8	Spark Plug	1

NOTE: It is our policy to continually improve products and as such we reserve the right to alter data, specifications and component parts without prior notice. There may be alternative versions of this product, please contact us should you require this information.

IMPORTANT: No liability is accepted for incorrect use of product. Spare parts must be fitted by a competent person

WARRANTY: Guarantee is 12 months from purchase date, proof of which will be required for any claim.

Sealey Group, Kempson Way, Suffolk Business Park, Bury St Edmunds, Suffolk. IP32 7AR



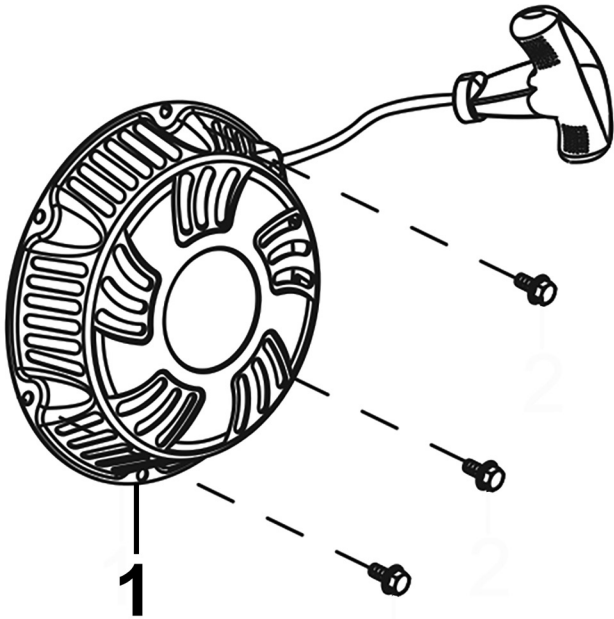
01284 757500



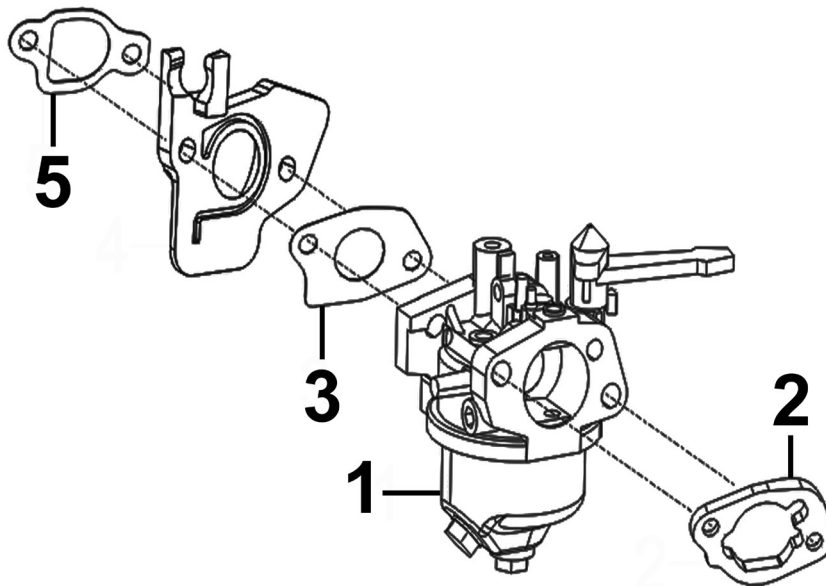
sales@sealey.co.uk



www.sealey.co.uk



Item	Part No.	Description	Qty
1	PWM2500-V3-E07-1	Recoil Starter Assembly	1



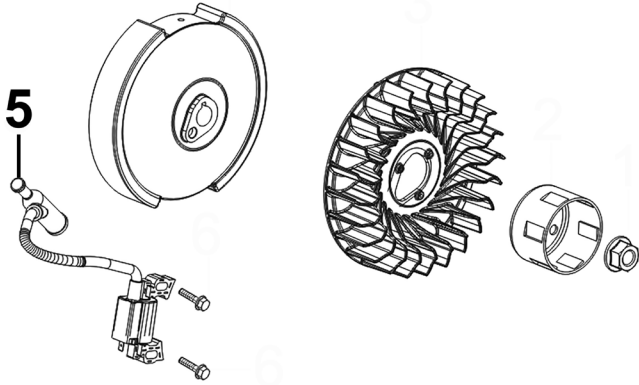
Item	Part No.	Description	Qty
1	PWM2500-V3-E09-1	Carburetor Assembly	1
2	PWM2500-V3-E09-2	Air Cleaner Gasket Seal	1
3	PWM2500-V3-E09-3	Carburetor Gasket Seal	1
5	PWM2500-V3-E09-5	Carburetor Insulator Gasket	1

NOTE: It is our policy to continually improve products and as such we reserve the right to alter data, specifications and component parts without prior notice. There may be alternative versions of this product, please contact us should you require this information.

IMPORTANT: No liability is accepted for incorrect use of product. Spare parts must be fitted by a competent person

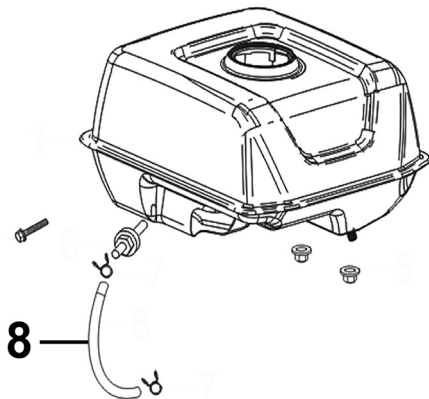
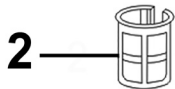
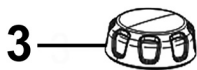
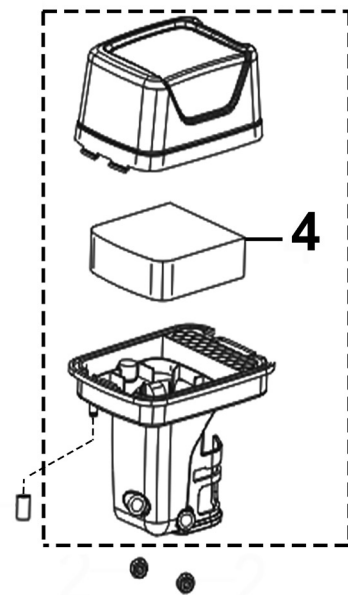
WARRANTY: Guarantee is 12 months from purchase date, proof of which will be required for any claim.

Parts Information:
Pressure Washer 220bar 510L/hr 4.8hp - Petrol
Model No: PWM2500.V3



Item	Part No.	Description	Qty
5	PWM2500-V3-E10-5	Ignition Coil	1

Item	Part No.	Description	Qty
4	PWM2500-V3-F01-4	Air Cleaner Element	1



Item	Part No.	Description	Qty
2	PWM2500-V3-F03-2	Fuel Strainer	1
3	PWM2500-V3-F03-3	Fuel Tank Cap	1
8	PWM2500-V3-F03-8	Fuel Pipe	1

NOTE: It is our policy to continually improve products and as such we reserve the right to alter data, specifications and component parts without prior notice. There may be alternative versions of this product, please contact us should you require this information.

IMPORTANT: No liability is accepted for incorrect use of product. Spare parts must be fitted by a competent person

WARRANTY: Guarantee is 12 months from purchase date, proof of which will be required for any claim.