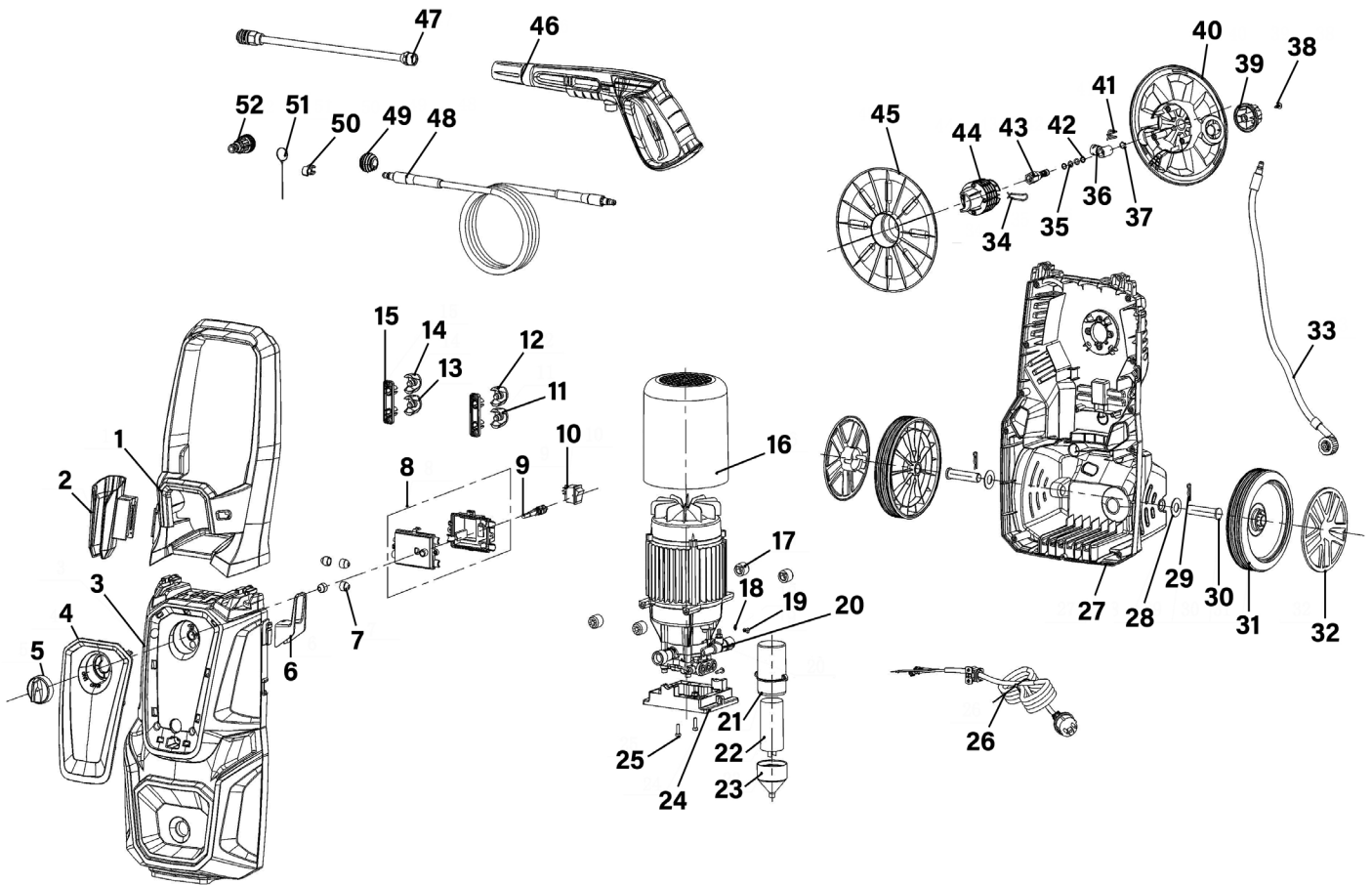




Parts Information:
**Pressure Washer 180bar with TSS &
 Rotablast® Nozzle 230V
 Model No: PW2500.V3**



Item	Part No.	Description	Qty
1	PW2500-V3-01	Top Handle	1
2	PW2500-V3-02	Pressure Gun Holder	1
3	PW2500-V3-03	Front Housing	1
4	PW2500-V3-04	Front Housing Cover	1
5	PW2500.02	Knob, Switch, Plastic, OD: 50mm L: 48mm, 6mm Sq. Female Fitting	1
6	PW2500-V3-06	Power Cord Hook	1
7	PW2000PA.B32	Waterproof Cap	4
8	PW2500-V3-08	Switch Box	1
9	PW2500-V3-09	Switch Lever	1
10	PW2500-V3-10	Switch, On/Off Rocker	1
11	PW2500-V3-11	Nozzle Assembly 25°	1
12	PW2500-V3-12	Nozzle Assembly 40°	1
13	PW2500-V3-13	Nozzle Assembly 0°	1
14	PW2500-V3-14	Nozzle Assembly 15°	1

Item	Part No.	Description	Qty
15	PW2500-V3-15	Nozzle Holder Base	2
16	PW2500-V3-16	Motor/Pump Cover	1
17	PW2500.75	Damping Ring	4
18	TS10SEW.121	M4 ext Tooth Washer Zinc	1
19	PW2500-V3-19	Screw	1
20	PW2500-V3-20	Motor/Pump Assembly	1
21	PW2500-V3-21	Capacitor Cover	1
22	PW2500-V3-22	Capacitor 40uF/450VAC	1
23	PW2500-V3-23	Capacitor Cover End Cap	1
24	PW2500-V3-24	Pump Base	1
25	PW2000PA.B43	Self Tapping Screw	2
26	PW2500-V3-26	Power Cord	1
27	PW2500-V3-27	Rear Housing	1
28	PW2500-V3-28	Washer	2

NOTE: It is our policy to continually improve products and as such we reserve the right to alter data, specifications and component parts without prior notice. There may be alternative versions of this product, please contact us should you require this information.

IMPORTANT: No liability is accepted for incorrect use of product. Spare parts must be fitted by a competent person

WARRANTY: Guarantee is 12 months from purchase date, proof of which will be required for any claim.

Sealey Group, Kempson Way, Suffolk Business Park, Bury St Edmunds, Suffolk. IP32 7AR



01284 757500



sales@sealey.co.uk



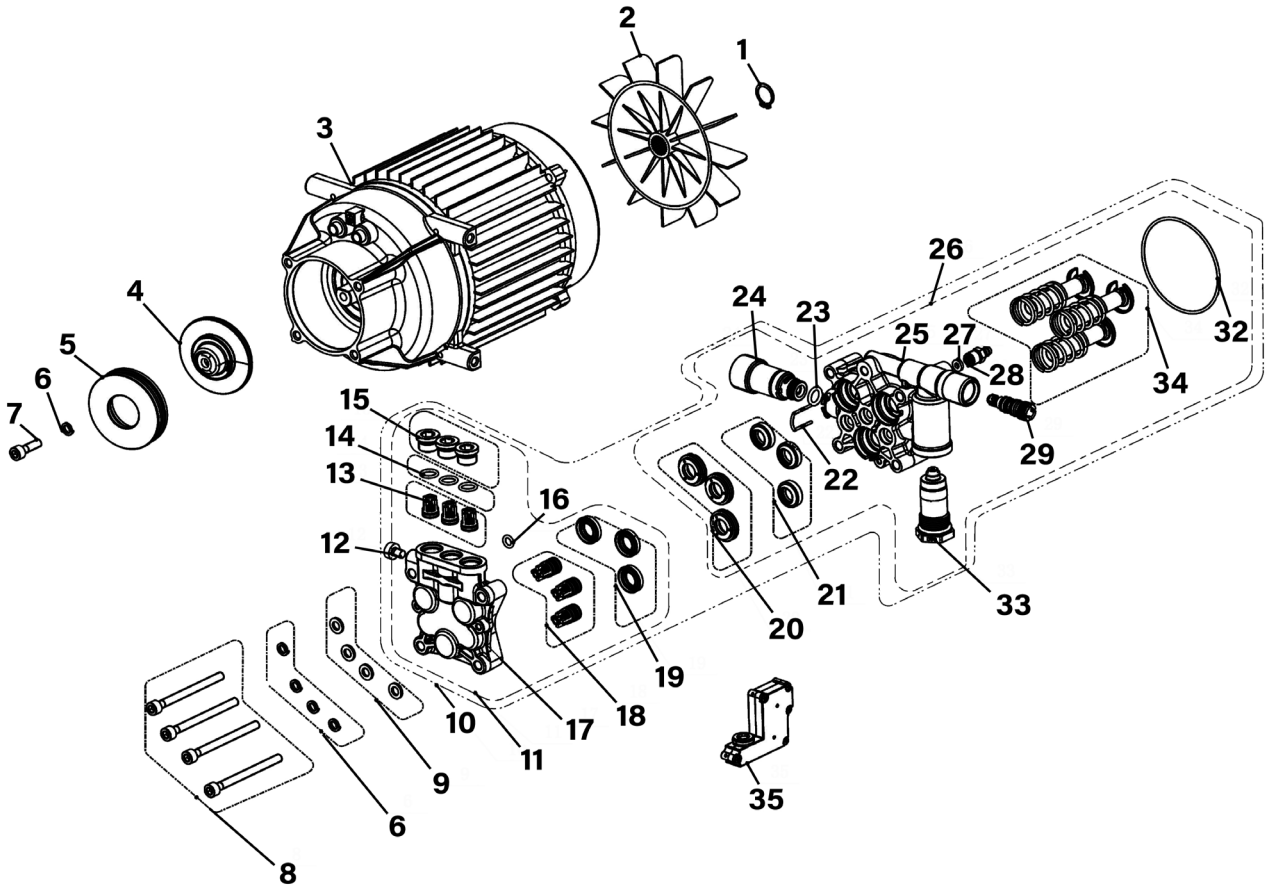
www.sealey.co.uk



Parts Information:
**Pressure Washer 180bar with TSS &
 Rotablast® Nozzle 230V
 Model No: PW2500.V3**

Item	Part No.	Description	Qty
29	PW2500-V3-29	Split Pin	2
30	PW2500-V3-30	Wheel Axle	2
31	PW2500-V3-31	Fixed Wheel	2
32	PW2500.28	Wheel Cover	2
33	PW2500-V3-33	Detergent Tube (Inner)	1
34	PW2500-V3-34	U-Pin	1
35	PW2000PA.B20	O-Ring	2
36	PW2500-V3-36	Pressure Hose Connection (Two-Way)	1
37	PW2500-V3-37	External Circlip	1
38	PW2500.65	Rd Head S/T Screw M4.6 X 15	1
39	PW2500-V3-39	Hose Reel Handle	1
40	PW2500-V3-40	Hose Reel (Front)	1

Item	Part No.	Description	Qty
41	PW2500-V3-41	U-Pin	1
42	PW2000PA.B20	O-Ring	2
43	PW2500-V3-43	High Pressure Pipe Joint	1
44	PW2500-V3-44	Rotating Axle	1
45	PW2500-V3-45	Hose Reel (Rear)	1
46	PW2500-V3-46	High Pressure Gun	1
47	PW2500-V3-47	High Pressure Lance	1
48	PW2500-V3-48	High Pressure Hose 5m	1
49	PW2500-V3-49	Stop Block	1
50	PW2500-V3-50	Clamp	1
51	PW2500-V3-51	Needle Probe	1
52	PW2500.01	Water Inlet Screw	1



Item	Part No.	Description	Qty
1	PW2500-V3-P01	Motor Fan Ring	1
2	PW2500-V3-P02	Motor Fan	1
3	PW2500-V3-P03	Motor	1
4	PW2500-V3-P04	Wobble Plate	1

Item	Part No.	Description	Qty
5	PW2500-V3-P05	Bearing Race	1
6	SWM6.SB	Spring Washer M6 Black	5
7	SCB620.SB	Socket Cap Bolt M6 x 20mm Black	1
8	SCB670.SB	Socket Cap Bolt M6 x 70mm Black	4

NOTE: It is our policy to continually improve products and as such we reserve the right to alter data, specifications and component parts without prior notice. There may be alternative versions of this product, please contact us should you require this information.

IMPORTANT: No liability is accepted for incorrect use of product. Spare parts must be fitted by a competent person

WARRANTY: Guarantee is 12 months from purchase date, proof of which will be required for any claim.

Sealey Group, Kempson Way, Suffolk Business Park, Bury St Edmunds, Suffolk. IP32 7AR



01284 757500



sales@sealey.co.uk



www.sealey.co.uk



Parts Information:
**Pressure Washer 180bar with TSS &
Rotablast® Nozzle 230V
Model No: PW2500.V3**

Item	Part No.	Description	Qty
9	FWM6.SB	Flat Washer M6 Black	4
10	PW2500-V3-P10	Pump Assembly	1
11	PW2500-V3-P11	Pump Cover Assembly	1
12	PW2500-V3-P12	Knob, Adjustable	1
13	PW2500-V3-P13	Water Outlet Valve Kit	3
14	PW2500-V3-P14	O-Ring 9.8 x 1.9	3
15	PW2500-V3-P15	Valve Nut	3
16	PW2500-V3-P16	O-Ring 6 x 2	1
17	PW2500-V3-P17	Pump Head	1
18	PW2500-V3-P18	Water Inlet Valve Kit	3
19	PW2500-V3-P19	Seal 19 x 20 x 5	3
20	PW2500-V3-P20	Back-Stop Bracket	3
21	PW2500-V3-P21	Oil Seal	3

Item	Part No.	Description	Qty
22	PW2500-V3-P22	U-Pin	1
23	PW2500-V3-P23	O-Ring 9.5 x 2.5	1
24	PW2500-V3-P24	Water Inlet Adaptor M26 x 1.75	1
25	PW2500-V3-P25	Cylinder Block	1
26	PW2500-V3-P26	Pump Body Assembly	1
27	PW2500-V3-P27	Suction Head Seal	1
28	PW2500-V3-P28	Suction Head	1
29	PW2500-V3-P29	Valve	1
32	PW2500-V3-P32	O-Ring 70 x 2	1
33	PW2500-V3-P33	Relief Valve Assembly	1
34	PW2500-V3-P34	Piston Pin Kit	3
35	PW2500-V3-P35	TSS Assembly	1

NOTE: It is our policy to continually improve products and as such we reserve the right to alter data, specifications and component parts without prior notice. There may be alternative versions of this product, please contact us should you require this information.

IMPORTANT: No liability is accepted for incorrect use of product. Spare parts must be fitted by a competent person

WARRANTY: Guarantee is 12 months from purchase date, proof of which will be required for any claim.

Sealey Group, Kempson Way, Suffolk Business Park, Bury St Edmunds, Suffolk. IP32 7AR



01284 757500



sales@sealey.co.uk



www.sealey.co.uk