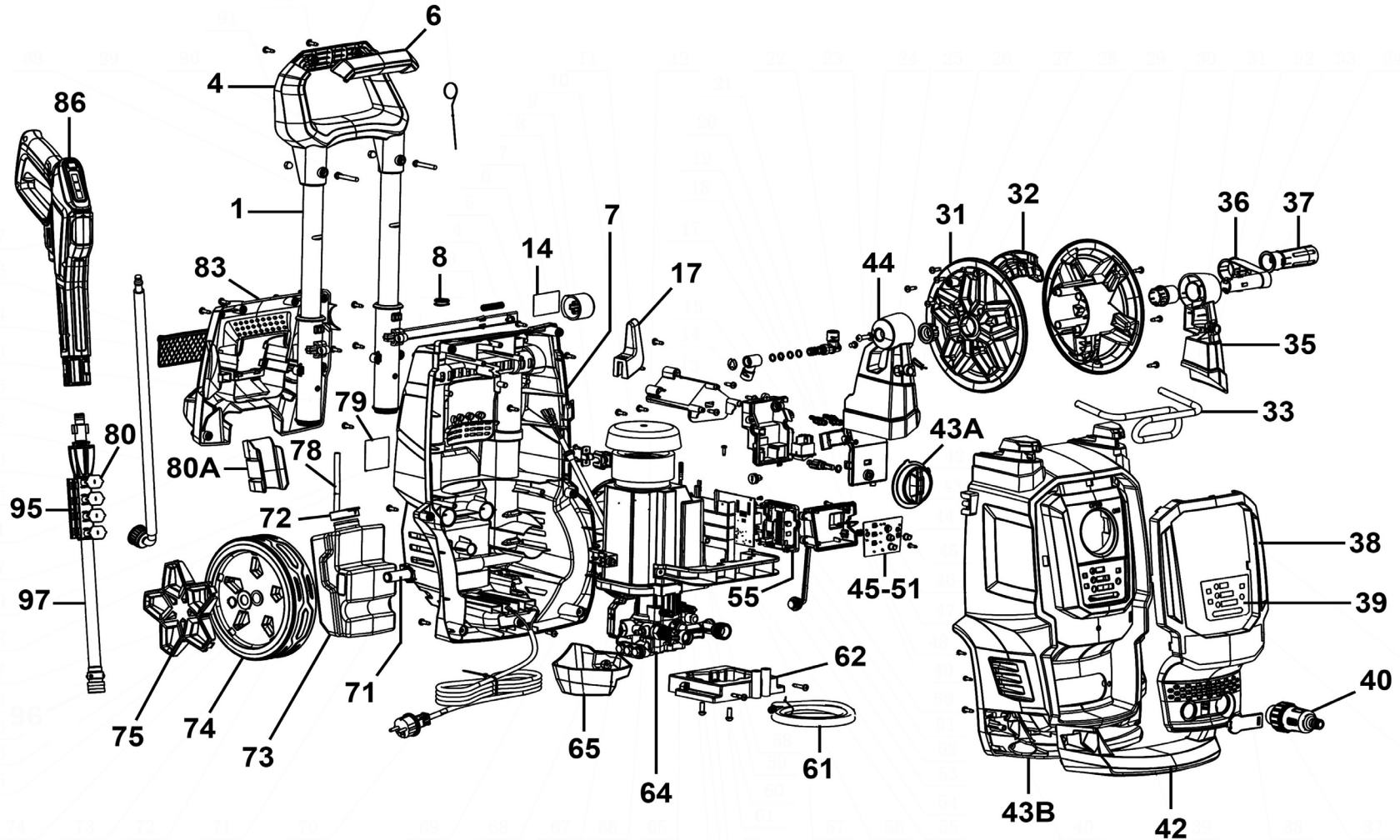




Parts Information:
Wireless Lance Controlled Pressure Washer with TSS & Rotablast® Nozzle
170bar 450L/hr
Model No: PW2400.V2



NOTE: It is our policy to continually improve products and as such we reserve the right to alter data, specifications and component parts without prior notice.

There may be alternative versions of this product, please contact us should you require this information.

IMPORTANT: No liability is accepted for incorrect use of product. Spare parts must be fitted by a competent person

WARRANTY: Guarantee is 12 months from purchase date, proof of which will be required for any claim.

Sealey Group, Kempson Way, Suffolk Business Park, Bury St Edmunds, Suffolk. IP32 7AR



01284 757500



sales@sealey.co.uk



www.sealey.co.uk



Parts Information:
Wireless Lance Controlled Pressure Washer with TSS & Rotablast® Nozzle
170bar 450L/hr
Model No: PW2400.V2

Item	Part No.	Description
1	PW2400-01	Telescopic Handle Tube
4	PW2400-04	Handle
6	PW2400-06	Handle Cover
7	PW2400-07	Rear Housing
8	PW2400-08	Hose Protection
14	PW2400-14	Warning Label
17	PW2400-17	Cable Holder
31	PW2400-31	Hose Reel (One Side)
32	PW2400-32	Hose Plate
33	PW2400-33	Hose Guide
35	PW2400-35	Hose Reel Stand, Right
36	PW2400-36	Hose Reel Handle
37	PW2400-37	Hose Reel Arm
38	PW2400-38	Surround for Front Housing
39	PW2400-39	Label
40	PW2400-40	Water Inlet Filter
42	PW2400-42	Seat for Front Housing
43A	PW2400-43A	Switch Knob
43B	PW2400-43B	Front housing
44	PW2400-44	Hose Reel Stand, Left
45-51	PW2400-45-51	PCB (for Switch)
55	PW2400-55	PCB (for Motor)
61	PW2400-61	Pressure Hose
62	PW2400-62	Pump Seat
64	PW2400-64	Motor/Pump Assembly

Item	Part No.	Description
65	PW2400-65	Gun Holder, Lower
71	PW2400-71	Wheel Axle
72	PW2400-72	Detergent Tank Cap
73	PW2400-73	Detergent Tank
74	PW2400-74	Wheel, Fixed, Black Plastic (D: 202 W: 48 B: 16)
75	PW2400-75	Wheel Cover
78	PW2400-78A	Suction Pipe
79	PW2400-79	Label (Specification)
80A	PW2400-80	Gun Holder, Upper
83	PW2400-83	Accessory Holder
86	PW2400-86	Pressure Gun
95	PW2400-V2-95	Nozzle Holder
97	PW2400-V2-97	Quick Release Lance
--	PW2400-64A	Cylinder (Not Shown)
--	PW2400-64B	Thrust Ball Bearing (Not Shown)
--	PW2400-64C	Microswitch (Not Shown)
--	PW2400-64D	Screw (Not Shown)
--	PW2400-64E	Motor (Not Shown)
--	PW2400-64F	Pump (Not Shown)
		Choose Required Size (Item 80)
--	PW2400-V2-80A	Nozzle 0°
--	PW2400-V2-80B	Nozzle 15°
--	PW2400-V2-80C	Nozzle 25°
--	PW2400-V2-80D	Nozzle 40°

NOTE: It is our policy to continually improve products and as such we reserve the right to alter data, specifications and component parts without prior notice. There may be alternative versions of this product, please contact us should you require this information.

IMPORTANT: No liability is accepted for incorrect use of product. Spare parts must be fitted by a competent person

WARRANTY: Guarantee is 12 months from purchase date, proof of which will be required for any claim.

Sealey Group, Kempson Way, Suffolk Business Park, Bury St Edmunds, Suffolk. IP32 7AR



01284 757500



sales@sealey.co.uk



www.sealey.co.uk