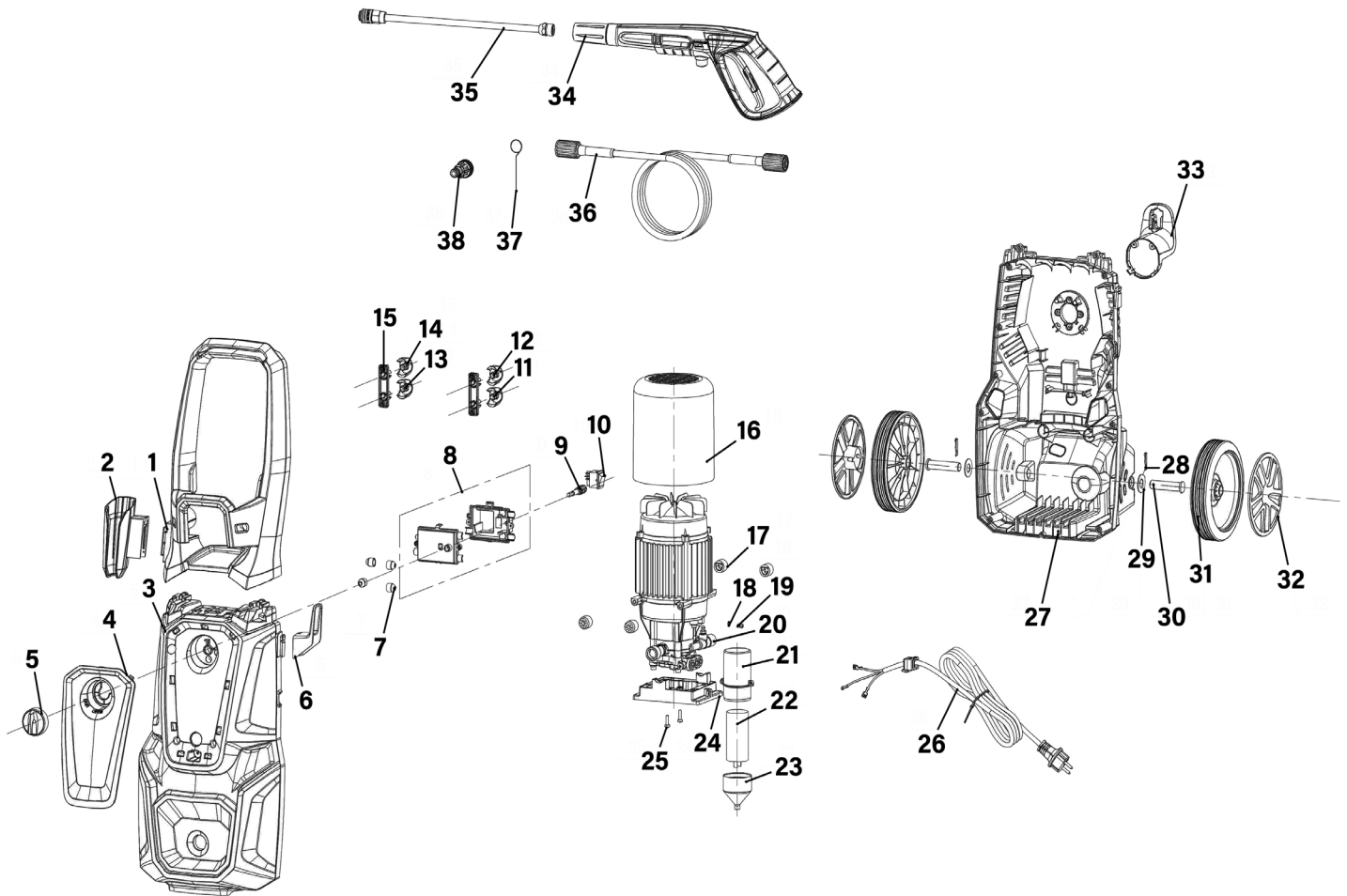


Parts Information:
**Pressure Washer 160bar with TSS &
 Rotablast® Nozzle 230V**
Model No: PW2200.V3



Item	Part No.	Description	Qty
1	PW2500-V3-01	Top Handle	1
2	PW2500-V3-02	Pressure Gun Holder	1
3	PW2500-V3-03	Front Housing	1
4	PW2500-V3-04	Front Housing Cover	1
5	PW2500.02	Knob, Switch, Plastic, OD: 50mm L: 48mm, 6mm Sq. Female Fitting	1
6	PW2500-V3-06	Power Cord Hook	1
7	PW2000PA.B32	Waterproof Cap	4
8	PW2500-V3-08	Switch Box	1
9	PW2500-V3-09	Switch Lever	1
10	PW2500-V3-10	Switch, On/Off Rocker	1
11	PW2500-V3-11	Nozzle Assembly 25°	1
12	PW2500-V3-12	Nozzle Assembly 40°	1
13	PW2500-V3-13	Nozzle Assembly 0°	1
14	PW2500-V3-14	Nozzle Assembly 15°	1
15	PW2500-V3-15	Nozzle Holder Base	2
16	PW2500-V3-16	Motor/Pump Cover	1

Item	Part No.	Description	Qty
17	PW2500.75	Damping Ring	4
18	TS10SEW.121	M4 ext Tooth Washer zinc	1
19	PW2500-V3-19	Screw	1
20	PW2200-V3-20	Motor/Pump Assembly	1
21	PW2500-V3-21	Capacitor Cover	1
22	PW2500-V3-22	Capacitor 40uF/450VAC	1
23	PW2500-V3-23	Capacitor Cover End Cap	1
24	PW2500-V3-24	Pump Base	1
25	PW2000PA.B43	Self Tapping Screw	2
26	PW2500-V3-26	Power Cord	1
27	PW2500-V3-27	Rear Housing	1
28	PW2500-V3-28	Washer	2
29	PW2500-V3-29	Split Pin	2
30	PW2500-V3-30	Wheel Axle	2
31	PW2500-V3-31	Fixed Wheel	2
32	PW2500.28	Wheel cover	2

NOTE: It is our policy to continually improve products and as such we reserve the right to alter data, specifications and component parts without prior notice. There may be alternative versions of this product, please contact us should you require this information.

IMPORTANT: No liability is accepted for incorrect use of product. Spare parts must be fitted by a competent person

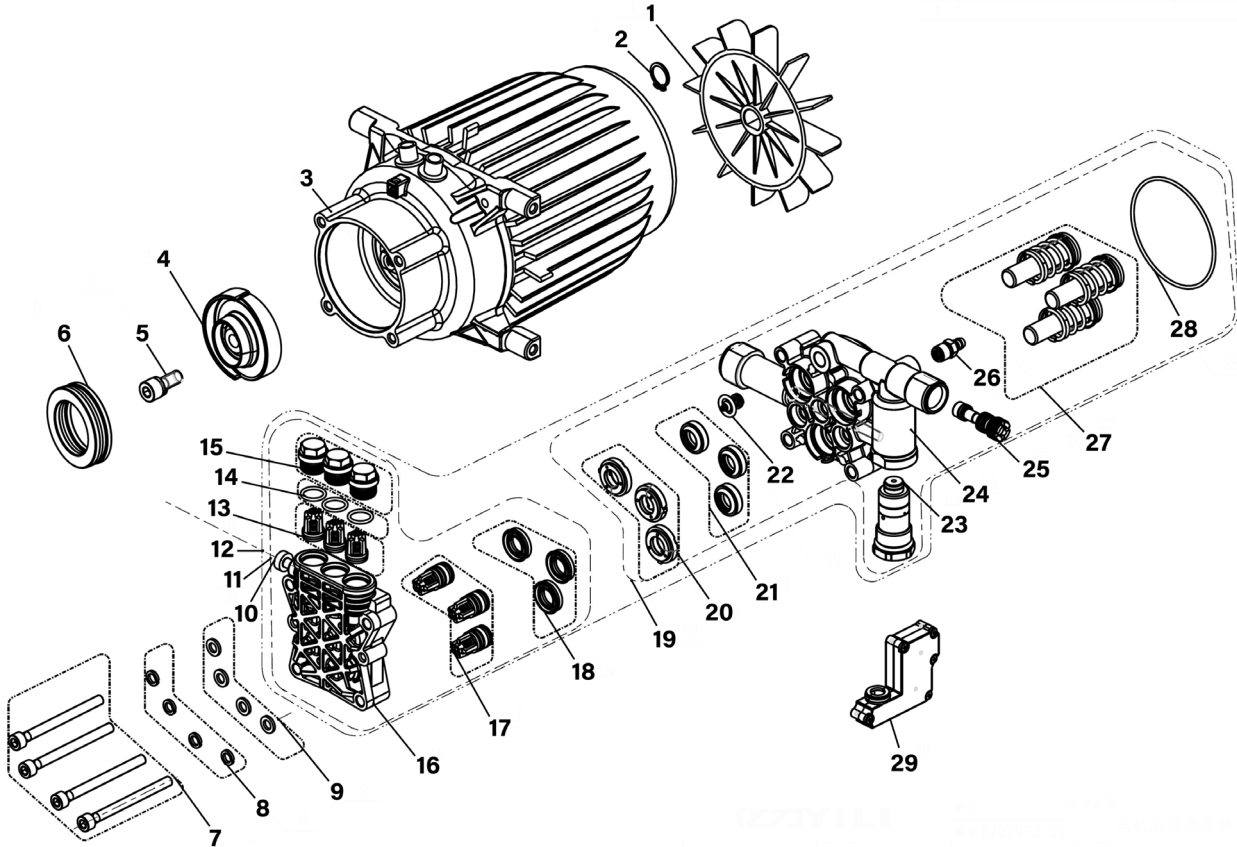
WARRANTY: Guarantee is 12 months from purchase date, proof of which will be required for any claim.



Parts Information:
**Pressure Washer 160bar with TSS &
 Rotablast® Nozzle 230V
 Model No: PW2200.V3**

Item	Part No.	Description	Qty
33	PW2200-V3-33	Hose Storage Hook	1
34	PW2500-V3-46	High Pressure Gun	1
35	PW2500-V3-47	High Pressure Lance	1

Item	Part No.	Description	Qty
36	PW2200-V3-36	High Pressure Hose	1
37	PW2500-V3-51	Needle Probe	1
38	PW2500.01	Water inlet screw	1



Item	Part No.	Description	Qty
1	PW2200-V3-P01	Motor Fan	1
2	PW2200-V3-P02	Motor Fan Ring	1
3	PW2200-V3-P03	Motor	1
4	PW2200-V3-P04	Wobble Plate	1
5	SCB820.SB	Socket Cap Bolt M8 x 20mm Black	1
6	PW2200-V3-P06	Bearing Race	1
7	SCB670.SB	Socket Cap Bolt M6 x 70mm Black	1
8	SWM6.SB	Spring Washer M6 Black	1
9	FWM6.SB	Flat Washer M6 Black	4
10	PW2200-V3-P10	Knob, Adjustable M6x8	1
11	PW2200-V3-P11	Pump Cover Assembly	1
12	PW2200-V3-P12	Pump Assembly	1
13	PW2200-V3-P13	Water Outlet Valve Kit	3
14	PW2200-V3-P14	O-Ring	1
15	PW2200-V3-P15	Valve Nut	1

Item	Part No.	Description	Qty
16	PW2200-V3-P16	Pump Head	1
17	PW2200-V3-P17	Water Inlet Valve Kit	3
18	PW2200-V3-P18	Seal 20x12	3
19	PW2200-V3-P19	Pump Body Assembly	1
20	PW2200-V3-P20	Back-Stop Bracket	3
21	PW2200-V3-P21	Oil Seal	3
22	PW2200-V3-P22	Check Valve Assembly	1
23	PW2200-V3-P23	Relief Valve Assembly	1
24	PW2200-V3-P24	Cylinder Block	1
25	PW2200-V3-P25	Valve	1
26	PW2200-V3-P26	Suction Head	1
27	PW2200-V3-P27	Piston Pin Kit	3
28	PW2200-V3-P28	O-Ring	1
29	PW2200-V3-P29	TSS Assembly	1

NOTE: It is our policy to continually improve products and as such we reserve the right to alter data, specifications and component parts without prior notice. There may be alternative versions of this product, please contact us should you require this information.

IMPORTANT: No liability is accepted for incorrect use of product. Spare parts must be fitted by a competent person

WARRANTY: Guarantee is 12 months from purchase date, proof of which will be required for any claim.

Sealey Group, Kempson Way, Suffolk Business Park, Bury St Edmunds, Suffolk. IP32 7AR



01284 757500



sales@sealey.co.uk



www.sealey.co.uk