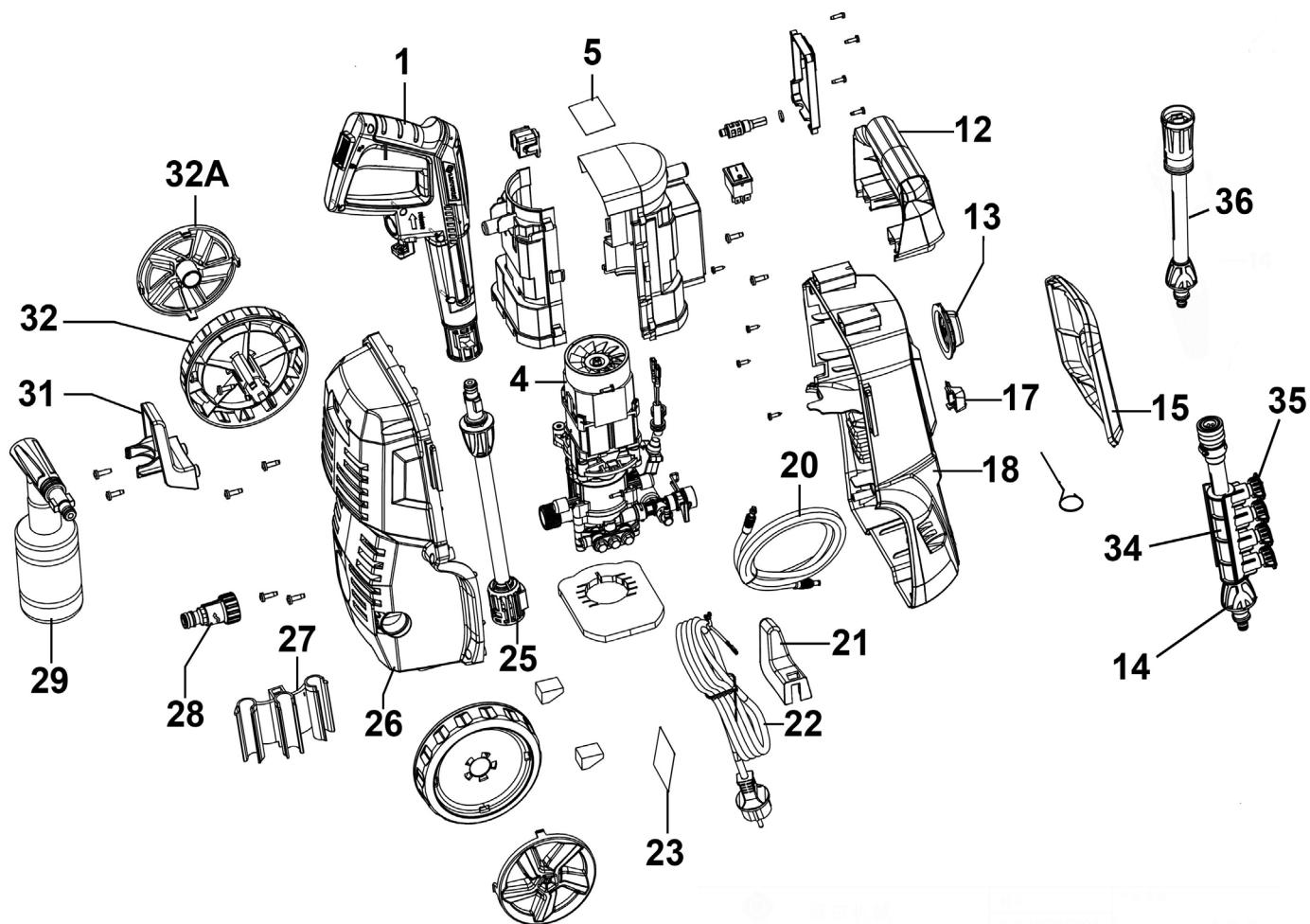


Parts Information:
Pressure Washer with TSS & Rotablast®
Nozzle 100bar 390L/hr
Model No: PW1610.V2



Item	Part No.	Description
1	PW1860-26	Pressure Gun
4	PW1610-04	Motor/Pump Assembly
5	PW1860-28	Warning Label
12	PW1610-12	Top Handle
13	PW1610-13	Switch Knob
14	PW1610-V2-14	Quick Release Lance
15	PW1610-15	Surround for Front Housing
17	PW1860-09	Push/Start Button
18	PW1610-18	Front Housing
20	PW1610-20	Pressure Hose
21	PW1860-04	Mains Cable Holder
22	PW1610-22	Mains Cable
23	PW1610-23	Specification Label
25	PW1860-23	Lance Connection
26	PW1610-26	Rear Housing
27	PW1610-27	Lance/Gun Holder
28	PW1860-12	Water Inlet Filter

Item	Part No.	Description
29	PW1860-14	Foam Bottle
31	PW1860-25	Pressure Hose Holder
32	PW1610-32	Wheel, Fixed, Black Plastic (D: 140 W: 30 B: 23)
32A	PW1610-32A	Wheel Cover
34	PW1610-V2-34	Nozzle Holder
36	PW1610-V2-36	Turbo Nozzle
--	PW1610-04A	Motor (Not Shown)
--	PW1610-04B	Pump (Not Shown)
--	PW1860-11C	Thrust Ball Bearing (Not Shown)
--	PW1610-04D	Cylinder (Not Shown)
--	PW1610-04E	Microswitch (Not Shown)
		Choose Required Size (Item 35)
--	PW2400-V2-80A	Nozzle 0°
--	PW2400-V2-80B	Nozzle 15°
--	PW2400-V2-80C	Nozzle 25°
--	PW2400-V2-80D	Nozzle 40°

NOTE: It is our policy to continually improve products and as such we reserve the right to alter data, specifications and component parts without prior notice. There may be alternative versions of this product, please contact us should you require this information.

IMPORTANT: No liability is accepted for incorrect use of product. Spare parts must be fitted by a competent person

WARRANTY: Guarantee is 12 months from purchase date, proof of which will be required for any claim.