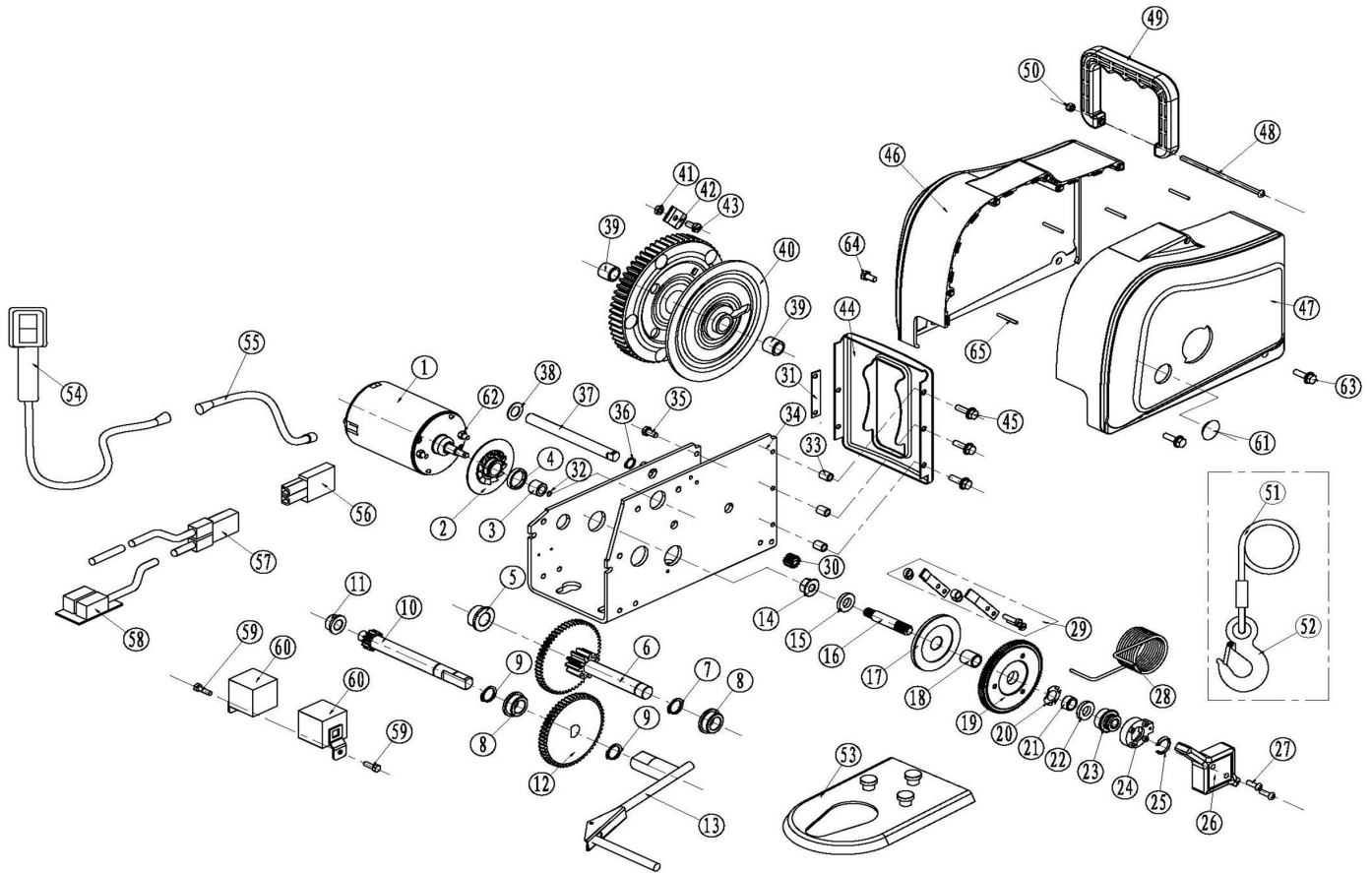




Parts Information:
Portable Winch 1360kg Line Pull 12V
Model No: PW1360



NOTE: It is our policy to continually improve products and as such we reserve the right to alter data, specifications and component parts without prior notice.

IMPORTANT: No liability is accepted for incorrect use of product.

WARRANTY: Guarantee is 12 months from purchase date, proof of which will be required for any claim.

Sealey Group, Kempson Way, Suffolk Business Park, Bury St Edmunds, Suffolk. IP32 7AR



01284 757500



01284 703534



sales@sealey.co.uk



www.sealey.co.uk



Parts Information:
Portable Winch 1360kg Line Pull 12V
Model No: PW1360

1	PW1360.01	MOTOR ASSEMBLY
2	PW1360.02	BRAKE DISC
3	B/HK061008	NEEDLE BEARING HK061008
4	PW1360.04	NYLON SEAL
5	PW1360.05	BUSHING
6	PW1360.06	4th STAGE PINION ASSEMBLY
7	PW1360.07	RETAINING RING 16MM
8	PW1360.08	BUSHING
9	PW1360.09	RETAINING RING 16MM
10	PW1360.10	2nd STAGE GEAR SHAFT
11	PW1360.11	BUSHING
12	PW1360.12	2nd STAGE GEARWHEEL
13	PW1360.13	HANDLE BAR ASSEMBLY
14	FN10.S	FLANGE NUT SERRATED M10 ZINC (SINGLE)
15	PW1360.15	NEEDLE BEARING
16	PW1360.16	2nd STAGE COUPLING
17	PW1360.17	2nd STAGE PINION ASSEMBLY
18	B/HK1208	NEEDLE BEARING HK1208
19	PW1360.19	1st STAGE GEARWHEEL
20	PW1360.20	CLUTCH SPRING WASHER
21	B/HK1212	NEEDLE BEARING HK1212
22	PW1360.22	BEARING
23	PW1360.23	CLUTCH HANDLE NUT
24	PW1360.24	CLUTCH SPRING HOLDER
25	PW1360.25	SNAP RING
26	PW1360.26	CLUTCH HANDLE
27	PW1360.27	PAN HEAD SCREW M3x25
28	PW1360.28	CLUTCH SPRING
29	PW1360.29	BRAKE ASSEMBLY
30	PW1360.30	1st STAGE PINION
31	PW1360.31	FIXED WASHER
32	PW1360.32	CHECK RING
33	PW1360.33	SPACER (LONG)
34	PW1360.34	MOUNTING BASE
35	SFS616.S	HEX HEAD FLANGE BOLT M6x16 SINGLE
36	PW1360.36	RETAINING RING 12mm

Item	Part No.	Description
37	PW1360.37	DRUM SHAFT
38	PW1360.38	FLAT WASHER
39	B/HK121816	NEEDLE BEARING HK121816
40	PW1360.40	DRUM
41	PW1360.41	HEX NUT
42	PW1360.42	CABLE CLAMP KIT
43	CBN616.S	COACH BOLT M6x16mm (SINGLE)
44	PW1360.44	FRONT PLATE
45	SFS620.S	HEX HEAD FLANGE BOLT M6x20 SINGLE
46	PW1360.46	COVER, LEFT SIDE WITH PLUG HOLE.
47	PW1360.47	COVER, RIGHT SIDE WITH CONTROL KNOB HOLE
48	PW1360.48	PAN HEAD SCREW
49	PW1360.49	HANDLE
50	PW1360.50	HEX NUT
51	PW1360.WR	WIRE ROPE with HOOK 5.4mm x 15.2mtr for
52	PW1360.52	HOOK
53	PW1360.53	MOUNTING PLATE
54	PW1360.54	REMOTE CONTROL
55	PW1360.55	SWITCH SOCKET
56	PW1360.56	CONNECTOR HOUSING
57	PW1360.57	QUICK CONNECTOR
58	PW1360.58	CIRCUIT BREAKER ASSEMBLY
--	PW1360.58B	CIRCUIT BREAKER BOX (NOT SHOWN)
59	MSP512.S	MACHINE SCREW PAN HEAD PHILLIPS M5x12mm
60	PW1360.60	RELAY ASSEMBLY
61	PW1360.61	PROTECTING COVER
62	PW1360.62	HEX NUT
63	SFS630.S	HEX HEAD FLANGE BOLT M6x30 SINGLE
64	SFS610.S	HEX HEAD FLANGE BOLT M6x10 SINGLE
65	PW1360.65	ROUND PIN
--	PW1360.WR	WIRE ROPE with HOOK 5.4mm x 15.2mtr (NOT SHOWN)

NOTE: It is our policy to continually improve products and as such we reserve the right to alter data, specifications and component parts without prior notice.

IMPORTANT: No liability is accepted for incorrect use of product.

WARRANTY: Guarantee is 12 months from purchase date, proof of which will be required for any claim.

Sealey Group, Kempson Way, Suffolk Business Park, Bury St Edmunds, Suffolk. IP32 7AR



01284 757500



01284 703534



sales@sealey.co.uk



www.sealey.co.uk