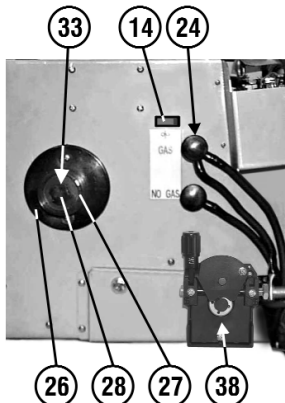
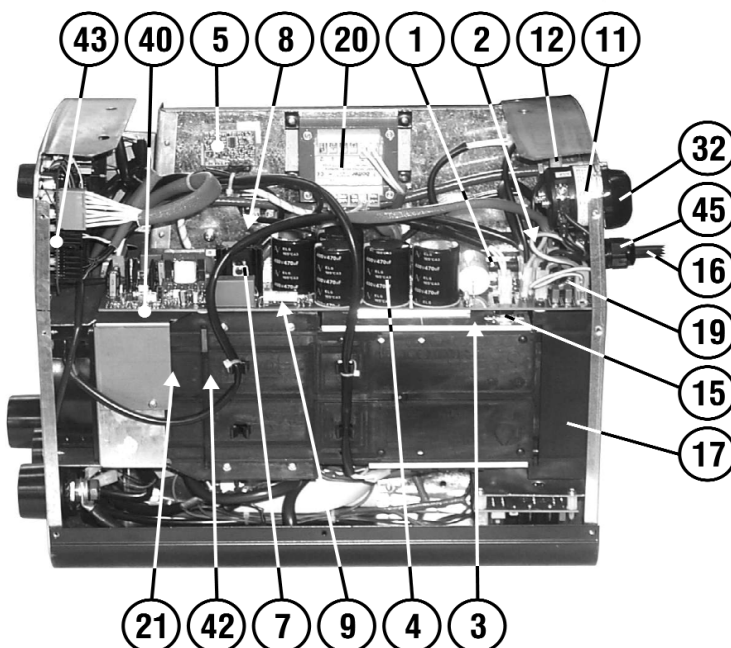
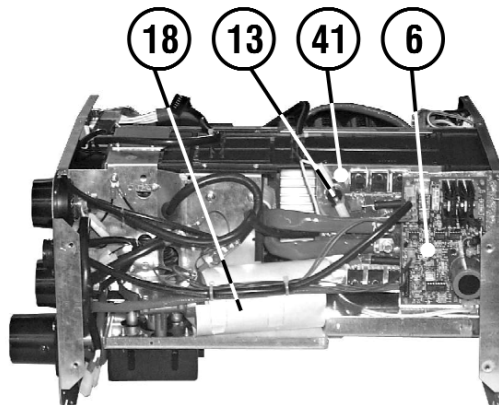
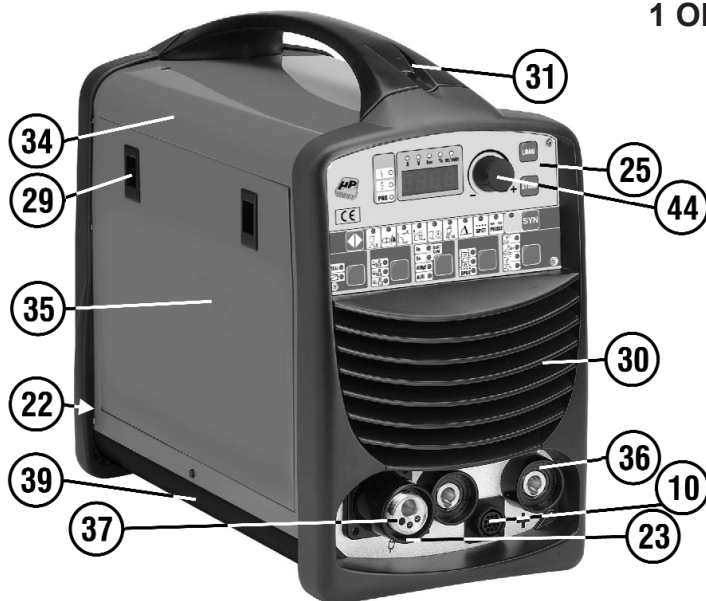


PARTS FOR:  
**PULSEMIG SYNERGIC PULSE  
 MIG WELDER 200A-230V**  
 MODEL: **PULSEMIG225.V2**

ITEM	PART NO	DESCRIPTION	Issue:
1	120.112048	RESISTOR	1
2	120.112342	RELAY	
3	120.112357	RECTIFIER	
4	120.112514	CAPACITOR	
5	120.114434	CARD	
6	120.114550	CONTROL CARD	
7	120.116155	IGBT	
8	120.116297	SENSOR HALL	
9	120.116307	RESISTANCE	
10	120.120872	CONTROL CABLE	
11	120.121507	SWITCH	
12	120.122035	ELECTRO-VALVE	Issue Date: 250608
13	120.122571	THERMAL SWITCH	
14	120.122927	PUSHBUTTON	
15	120.122988	THERMOSTAT	
16	120.132345	MAINS CABLE	
17	120.152101	FAN	
18	120.153032	WIRE FEED MOTOR	
19	120.164741	INDUCTANCE FILTER	
20	120.980152	AUXILIARY TRANSFORMER	
21	120.169476	SECONDARY INDUCTANCE	
22	120.252000	PIN	
23	120.312045	TORCH CONNECTION PROTECTION	
24	120.312048	HANDWHEEL	
25	120.313980	FRONT PANEL ASSEMBLY	
26	120.322172	SPINDLE, 15-50mm	
27	120.322173	REEL RING NUT	
28	120.322174	REEL THUMB SCREW	
29	120.322487	SLIDING SHUTTER	
30	120.322537	FRAME	
31	120.322538	HANDLE	
32	120.322901	SWITCH KNOB	
33	120.452065	SPRING, REEL	
34	120.655484	COVER	
35	120.655485	SIDE PANEL	
36	120.712036	DINSE SOCKET	
37	120.723163	TORCH CONNECTION FOR WIRE FEED	
38	120.723231	WIRE FEED ASSY	
39	120.980110	BOTTOM KIT	
40	120.980111	BOARD KIT, PRIMARY	
41	120.980112	SECONDARY PCB KIT	
42	120.980113	TRANSFORMER & INDUCTANCE KIT	
43	120.980140	FRONT PANEL KIT	
44	120.990026	KNOB KIT	
45	120.990152	CABLE KIT, C/W BUSHING & NUT	
	120.803051	TROLLEY FOR PULSEMIG 225 (N/S)	
	120.802416	TIG ACCESSORY KIT (N/S)	
	120.802279	ALUMINIUM WELDING ACCESSORY KIT (N/S)	
	120.801081	ARC ACCESSORY KIT (INV/25) (N/S)	
	MIG/SGT15	SPOOL ON GUN TORCH 6mtr cable (N/S)	
	MIG/SGT15/12	SPOOL ON GUN TORCH 12mtr cable (N/S)	

N/S = Not Shown

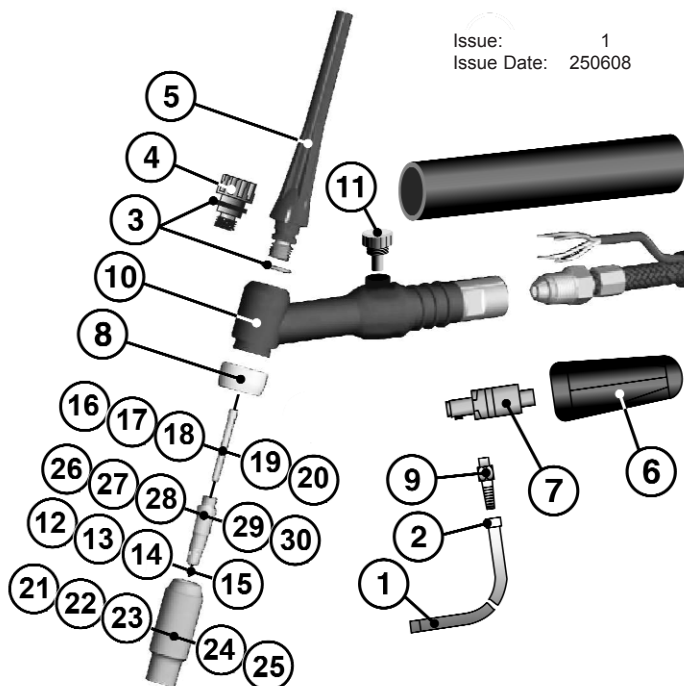


**NOTE:** It is our policy to continually improve products and as such we reserve the right to alter data, specifications and component parts without prior notice.

**IMPORTANT:** No liability is accepted for incorrect use of product.

**WARRANTY:** Guarantee is 12 months from purchase date, proof of which will be required for any claim.

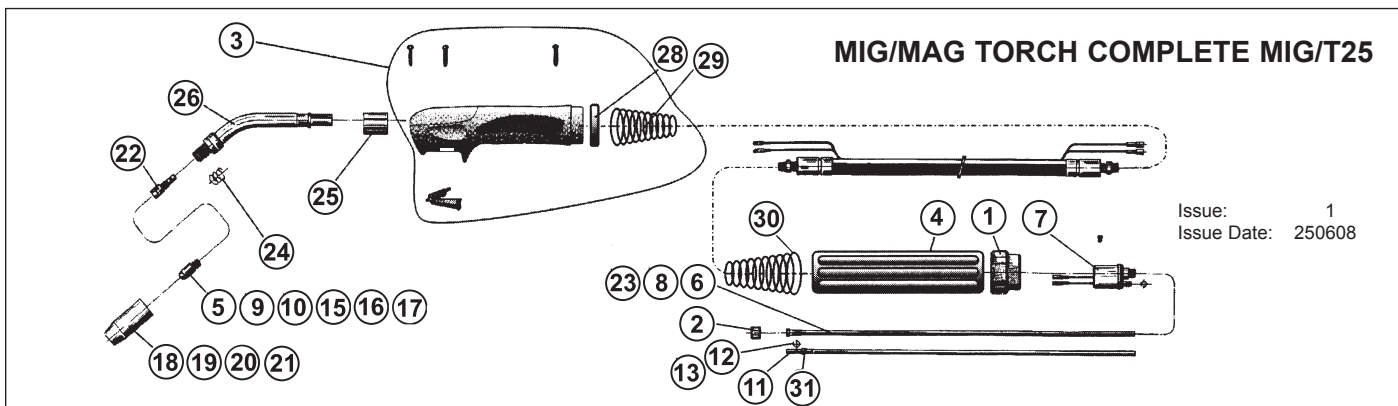
**INFORMATION:** For a copy of our latest catalogue and promotions call us on 01284 757525 and leave your full name and address, including postcode.



Issue: 1  
Issue Date: 250608

**TIG TORCH MODEL: 120/742058**

ITEM	PART NO	DESCRIPTION
1	120.110018	GAS TUBE
2	120.232094	CLAMP
3	120.722061	O-RING
4	120.722192	SHORT CAP
5	120.722193	LONG CAP
6	120.722206	TORCH CONNECTION COVER
7	120.722207	TORCH CONNECTION
8	120.722248	INSULATOR
9	120.722292	GAS CLUTCH CONNECTOR
10	120.742378	TORCH BODY
11	120.742380	VALVE KNOB
12	120.802220	CERIUM-TUNGSTEN ELECTRODES D.1mm
13	120.802222	CERIUM-TUNGSTEN ELECTRODES D.1,6mm
14	120.802232	CERIUM-TUNGSTEN ELECTRODES D.2,4mm
15	120.802233	CERIUM-TUNGSTEN ELECTRODES D.3,2mm
16	120.802239	ELECTRODE HOLDER CLAMP D.1
17	120.802240	ELECTRODE HOLDER CLAMP D.1,6
18	120.802241	ELECTRODE HOLDER CLAMP D.2,4mm
19	120.802242	ELECTRODE HOLDER CLAMP D.3,2mm
20	120.802243	ELECTRODE HOLDER CLAMP D.4mm
21	120.802244	CERAMIC NOZZLES NO 4
22	120.802245	CERAMIC NOZZLES NO 6
23	120.802246	CERAMIC NOZZLES NO 7
24	120.802247	CERAMIC NOZZLES NO 8
25	120.802248	CERAMIC NOZZLES NO 10
26	120.802249	ELECTRODE DIFFUSERS D.1
27	120.802250	ELECTRODE DIFFUSERS D.1,6
28	120.802251	ELECTRODE DIFFUSERS D.2,4
29	120.802252	ELECTRODE DIFFUSERS D.3,2
30	120.802253	ELECTRODE DIFFUSERS D.4



**MIG/MAG TORCH COMPLETE MIG/T25**

Issue: 1  
Issue Date: 250608

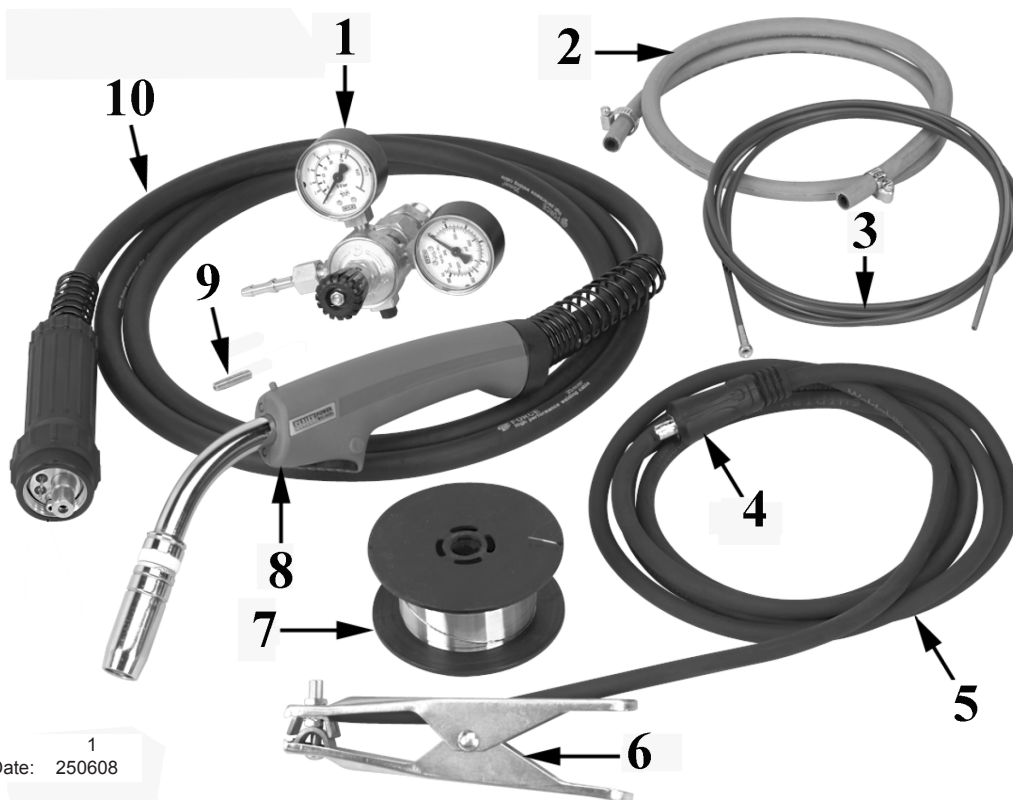
ITEM	PART NO.	DESCRIPTION	ITEM	PART NO.	DESCRIPTION
1	120/722007	RINGNUT	17	120/722682	CONTACT TIP 1.2mm (AF1)
2	120/722013	NUT,LINER	18	120/722684	NOZZLE, CYLINDRICAL TB25 (AF1)
3	120/742170	HANDLE COMPLETE	19	120/722685	NOZZLE, CONICAL TB25
4	120/742175	GUN PLUG HOUSING	20	120/722686	NOZZLE, THIN HEADED TB25
5	120/722415	CONTACT TIP 0.6mm (AF1)	21	120/722687	NOZZLE, SPOT WELDING TB25
6	120/722437	LINER,T, 0.6-0.8 3m STEEL	22	120/722688	DIFFUSER, GAS (AF1)
7	120/722441	TERMINATION CONNECTION	23	120/722689	LINER,T, 1.0-1.2mm 3m STEEL
8	120/722516	LINER, RED 1.0-1.2mm 3m ALLUMINIUM	24	120/722690	SPRING, NOZZLE RETAINER (AF1)
9	120/722552	CONTACT TIP 1.0mm ALLY (AF1)	25	120/722693	INSULATING BLOCK,TORCH PART
10	120/722553	CONTACT TIP 1.2mm ALLY (AF1)	26	120/722696	LANCE
11	120/722600	LOCKING TEFLON GUIDE WIRE TUBE	28	120/742171	RING NUT
12	120/722601	O-RING 3.5x1.5	29	120/742173	SPRING
13	120/722606	O-RING 4x1	30	120/742174	SPRING
15	120/722680	CONTACT TIP 0.8mm (AF1)	31	120/742598	WIRE GUIDE NIPPLE
16	120/722681	CONTACT TIP 1.0mm (AF1)			

**NOTE:** It is our policy to continually improve products and as such we reserve the right to alter data, specifications and component parts without prior notice.

**IMPORTANT:** No liability is accepted for incorrect use of product.

**WARRANTY:** Guarantee is 12 months from purchase date, proof of which will be required for any claim.

**INFORMATION:** For a copy of our latest catalogue and promotions call us on 01284 757525 and leave your full name and address, including postcode.



Issue: 1  
 Issue Date: 250608

ITEM	PART NO	DESCRIPTION
1	REG/MT	MIG GAS REGULATOR 2 GAUGE INDUSTRIAL
2	AK9	MIG INDUSTRIAL GAS ADAPTOR KIT 1.5mtr HOSE
3	120/302538	RED TEFLON LINER 3mtr (2.0 / 4.0mm)
4	120/712040	DINSE PLUG
5	120.123467	CABLE 25MMQ 3M
6	120/712231	WORK CLAMP
7	MIG/7K06	MIG WIRE MILD STEEL 0.7kg 0.6mm A18 GRADE
8	MIG/T25	MIG TORCH 3mtr EURO CONNECTOR TB25
9	120/722415	CONTACT TIP TR-15 M6-06-0.6 - 100100
10	CC25/1	25mm COPPER CABLE PER METRE

**NOTE:** It is our policy to continually improve products and as such we reserve the right to alter data, specifications and component parts without prior notice.

**IMPORTANT:** No liability is accepted for incorrect use of product.

**WARRANTY:** Guarantee is 12 months from purchase date, proof of which will be required for any claim.

**INFORMATION:** For a copy of our latest catalogue and promotions call us on 01284 757525 and leave your full name and address, including postcode.