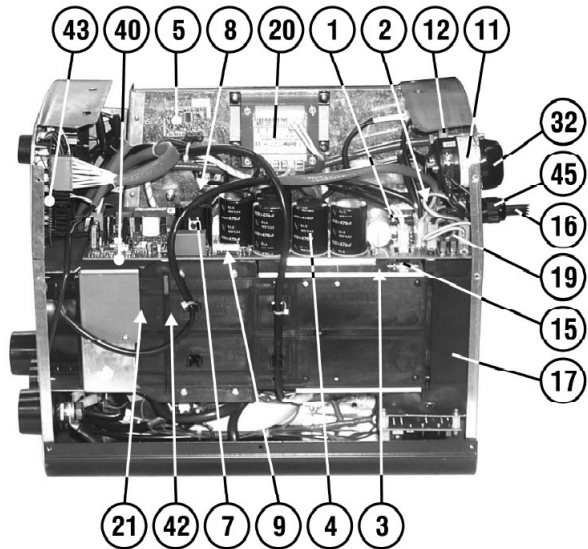
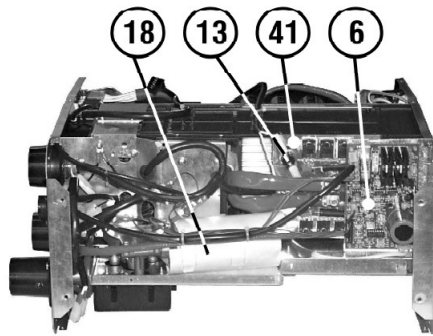
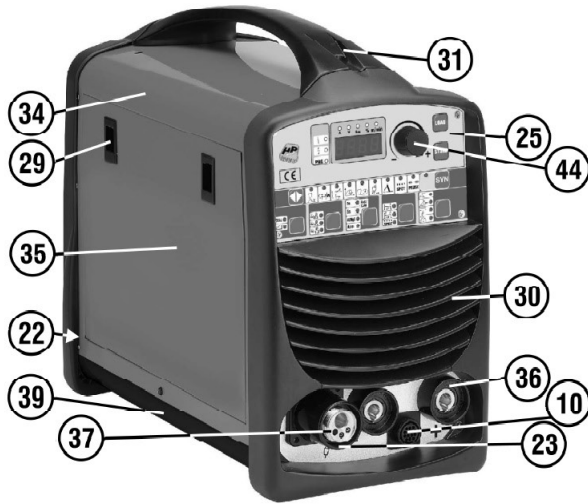




Parts Information:
Pulsemig Synergic Pulse MIG Welder
200A-230V
Model No: PULSEMIG225



NOTE: It is our policy to continually improve products and as such we reserve the right to alter data, specifications and component parts without prior notice.

IMPORTANT: No liability is accepted for incorrect use of product.

WARRANTY: Guarantee is 12 months from purchase date, proof of which will be required for any claim.

Sealey Group, Kempson Way, Suffolk Business Park, Bury St Edmunds, Suffolk. IP32 7AR



01284 757500



01284 703534



sales@sealey.co.uk



www.sealey.co.uk



Parts Information:
**Pulsemig Synergic Pulse MIG Welder
200A-230V
Model No: PULSEMIG225**

Item	Part No.	Description
1	120/112048	Resistor
2	120/112342	Relay
3	120/112357	Rectifier
4	120/112514	Capacitor 470uf 400v 50x35
5	120.114434	Card
6	120.114550	Control card
7	120.116155	Igbt
8	120.116297	Sensor hall
9	120.116307	Resistance
10	120.120872	Control cable
11	120.121507	Switch
12	120/122035	Electro-valve 230v
13	120/122571	Thermal switch
14	120.122927	Pushbutton
15	120.122988	Thermostat
16	120.132345	Mains cable
17	120/152101	Fan
18	120.153032	Wire feed motor
19	120/164741	Inductance filter
20	120/980152	Transformer, auxiliary
21	120.169476	Secondary inductance
22	120.252000	Pin
23	120.312045	Torch connection protection
24	120.312048	Handwheel
25	120.313980	Front panel assembly

Item	Part No.	Description
26	120/322172	Spindle, 15-50mm
27	120/322173	Reel ring nut
28	120/322174	Reel thumb screw
29	120.322487	Sliding shutter
30	120.322537	Frame
31	120/322538	Handle
32	120.323101	Switch knob set
33	120/452065	Spring, reel
34	120.655484	Cover
35	120.655485	Side panel
36	120/712036	Dinse socket
37	120.723163	Torch connection for wire feed
38	120.723231	Wire feed assy
39	120.980110	Bottom kit
40	120.980111	Board kit, primary
41	120.980112	Secondary pcb kit
42	120.980113	Transformer & inductance kit
43	120.980140	Front panel kit
44	120/990026	Knob kit
45	120.990152	Cable kit, c/w bushing & nut
--	120.803051	Trolley for pulsemig 225 (NOT SHOWN)
--	120.742058	Tig torch 4mtr 200a(NOT SHOWN)
--	120/802279	Aluminium accessory kit(NOT SHOWN)
--	120.801081	Mma welding kit 300a 25mmq 4+3m dx 50(NOT SHOWN)
--	120.801160	Mig welding torch kit(NOT SHOWN)

NOTE: It is our policy to continually improve products and as such we reserve the right to alter data, specifications and component parts without prior notice.

IMPORTANT: No liability is accepted for incorrect use of product.

WARRANTY: Guarantee is 12 months from purchase date, proof of which will be required for any claim.

Sealey Group, Kempson Way, Suffolk Business Park, Bury St Edmunds, Suffolk. IP32 7AR



01284 757500



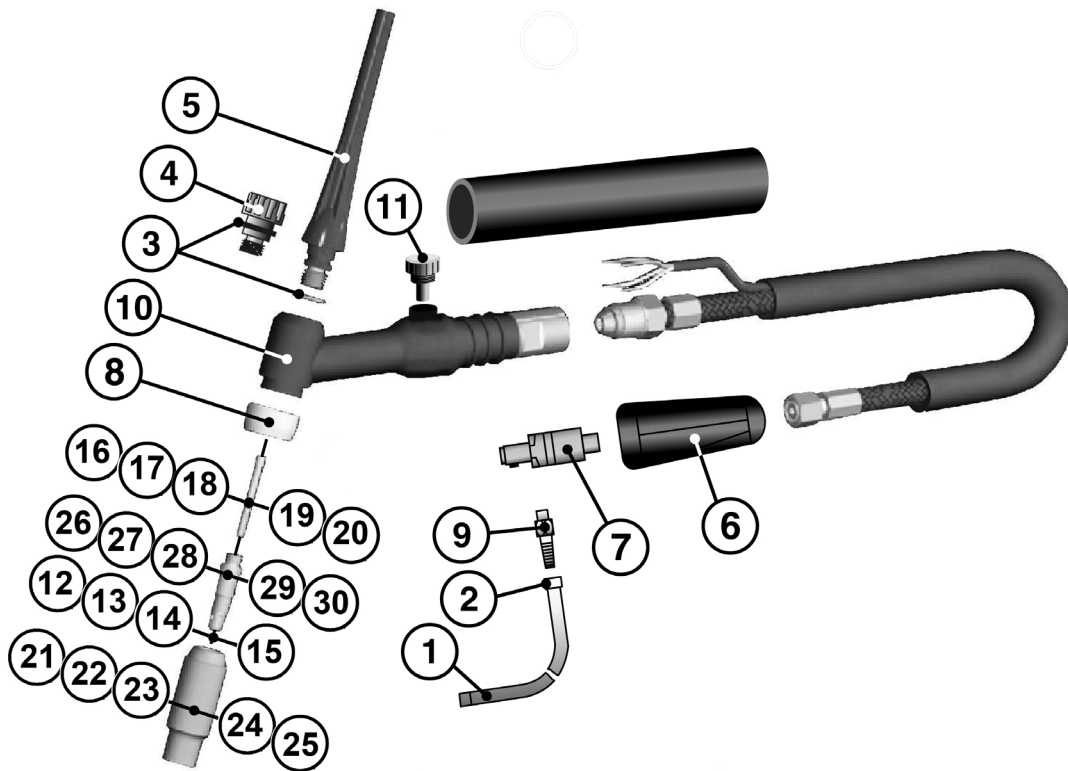
01284 703534



sales@sealey.co.uk



www.sealey.co.uk



Item	Part No.	Description
1	120.110018	Gas tube
2	120.232094	Clamp
3	120.722061	O-ring
4	120.722192	Short cap
5	120.722193	Long cap
6	120.722206	Torch connection cover
7	120.722207	Torch connection
8	120.722248	Insulator
9	120.722292	Gas clutch connector
10	120.742378	Torch body
11	120.742380	Valve knob
12	120.802220	Cerium-tungsten electrode 1.0mm (pack of 10)
13	120.802222	Cerium-tungsten electrode 1.6mm (pack of 10)
14	120.802232	Cerium-tungsten electrode 2.4mm (pack of 10)
15	120.802233	Cerium-tungsten electrode 3.2mm (pack of 10)
16	120.802239	Electrode holder clamp 1.0mm (pack of 3)

Item	Part No.	Description
17	120.802240	Electrode holder clamp 1.6mm (pack of 3)
18	120.802241	Electrode holder clamp 2.4mm (pack of 2)
19	120.802242	Electrode holder clamp 3.2mm (pack of 2)
20	120.802243	Electrode holder clamp 4.0mm (pack of 10)
21	120.802244	Ceramic nozzles no 4 (pack of 10)
22	120.802245	Ceramic nozzles no 6 (pack of 10)
23	120.802246	Ceramic nozzles no 7 (pack of 10)
24	120.802247	Ceramic nozzles no 8 (pack of 10)
25	120.802248	Ceramic nozzles no 10 (pack of 10)
26	120.802249	Electrode diffuser 1.0m (pack of 3)
27	120.802250	Electrode diffuser 1.6m (pack of 3)
28	120.802251	Electrode diffuser 2.4mm (pack of 3)
29	120.802252	Electrode diffuser 3.2mm (pack of 3)
30	120.802253	Electrode diffuser 4.0mm (pack of 3)

NOTE: It is our policy to continually improve products and as such we reserve the right to alter data, specifications and component parts without prior notice.

IMPORTANT: No liability is accepted for incorrect use of product.

WARRANTY: Guarantee is 12 months from purchase date, proof of which will be required for any claim.