

**NOTE:** It is our policy to continually improve products and as such we reserve the right to alter data, specifications and component parts without prior notice.

**IMPORTANT:** No liability is accepted for incorrect use of product.

**WARRANTY:** Guarantee is 12 months from purchase date, proof of which will be required for any claim.



Parts Information:  
Pallet Truck 2500kg 1150 x 540mm  
Model No: PT2500

Item	Part No.	Description
101	PT2500.101	RELEASE ROD ASS'Y
102	PT2500.101	RELEASE ROD ASS'Y
103	PT2500.101	RELEASE ROD ASS'Y
104	PT2500.101	RELEASE ROD ASS'Y
105A	PT2500.105A	AXLE WITH HOLE
106	PT2500.106	ELASTIC PIN
107	PT2500.107	BUSHING
108	PT2500.108	ROLLER PIN
109	PT2500.109	PRESSURE ROLLER
109A	PT2500.109A	BUSHING
110	PT2500.110	DRAW-BAR

Item	Part No.	Description
111	PT2500.111	STOP RUBBER
112	PT2500.112	ELASTIC PIN
113	PT2500.113	BLADE SPRING
114	PT2500.114	SPRING
115	PT2500.115	ELASTIC PIN
116	PT2500.116	ELASTIC PIN
117	PT2500.117	CONTROL HANDLE
118	PT2500.118	ROLLER
119	PT2500.119	ELASTIC PIN
121	PT2500.101	RELEASE ROD ASS'Y
122	PT2500.101	RELEASE ROD ASS'Y

**NOTE:** It is our policy to continually improve products and as such we reserve the right to alter data, specifications and component parts without prior notice.

**IMPORTANT:** No liability is accepted for incorrect use of product.

**WARRANTY:** Guarantee is 12 months from purchase date, proof of which will be required for any claim.

Sealey Group, Kempson Way, Suffolk Business Park, Bury St Edmunds, Suffolk. IP32 7AR



01284 757500



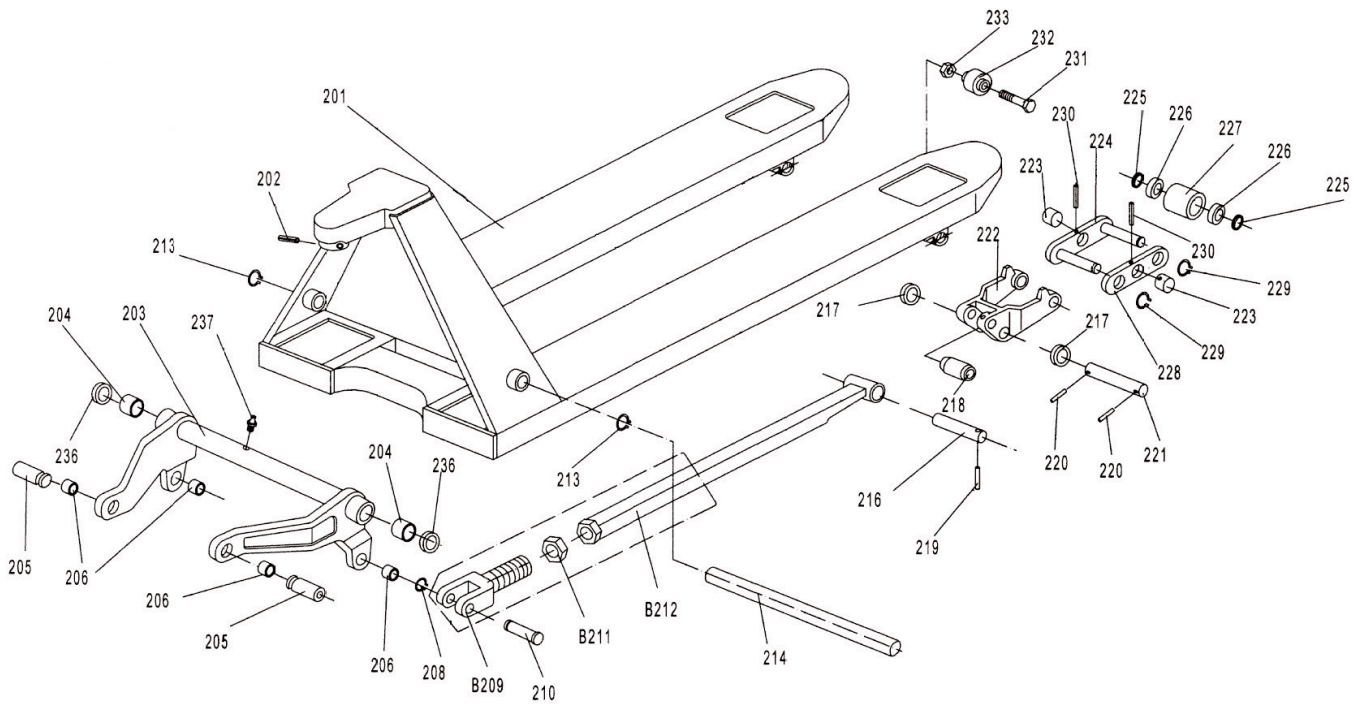
01284 703534



sales@sealey.co.uk



www.sealey.co.uk



**NOTE:** It is our policy to continually improve products and as such we reserve the right to alter data, specifications and component parts without prior notice.

**IMPORTANT:** No liability is accepted for incorrect use of product.

**WARRANTY:** Guarantee is 12 months from purchase date, proof of which will be required for any claim.



Parts Information:  
Pallet Truck 2500kg 1150 x 540mm  
Model No: PT2500

Item	Part No.	Description
201	PT2500.201	FORK FRAME
202	PT2500.202	ELASTIC PIN
203	PT2500.203	ROCK-ARM
204	PT2500.204	BUSHING
205	PT2500.205	SHAFT
206	PT2500.206	BUSHING
207	PT2500.207	BUSHING
208	PT2500.208	RETAINING RING
B209	PT2500.B212	PUSHING ROD ICLUDES 209 &211
210	PT2500.210	PIN
B211	PT2500.B212	PUSHING ROD ICLUDES 209 &211
B212	PT2500.B212	PUSHING ROD ICLUDES 209 &211
213	PT2500.213	RETAINING RING
214	PT2500.214	SHAFT
216	PT2500.216	SHAFT
217	PT2500.217	INTERMEDIATE ROLLER
218	PT2500.218	EXTENDING ROLLER

Item	Part No.	Description
219	PT2500.219	ELASTIC PIN
220	PT2500.220	ELASTIC PIN
221	PT2500.221	SHAFT
222	PT2500.222	FRAME OF ROLLER
223	PT2500.223	SHAFT
224	PT2500.224	TANDEM MOUNTING WITH PIN
225	PT2500.225	NYLON SEAL RING
226	PT2500.227	LOADING ROLLER WITH BEARING
227	PT2500.227	LOADING ROLLER WITH BEARING
228	PT2500.228	TANDEM MOUNTING
229	PT2500.229	SPRING WASHER
230	PT2500.230	ELASTIC PIN
231	PT2500.231	BOLT
232	PT2500.232	ENTER ROLLER
233	NLN10.S	NYLOC NUT M10 ZINC (SINGLE)
236	PT2500.236	WASHER
237	GNM19S	GREASE NIPPLE STR 6 x 1.00mm SINGLE

**NOTE:** It is our policy to continually improve products and as such we reserve the right to alter data, specifications and component parts without prior notice.

**IMPORTANT:** No liability is accepted for incorrect use of product.

**WARRANTY:** Guarantee is 12 months from purchase date, proof of which will be required for any claim.

Sealey Group, Kempson Way, Suffolk Business Park, Bury St Edmunds, Suffolk. IP32 7AR



01284 757500



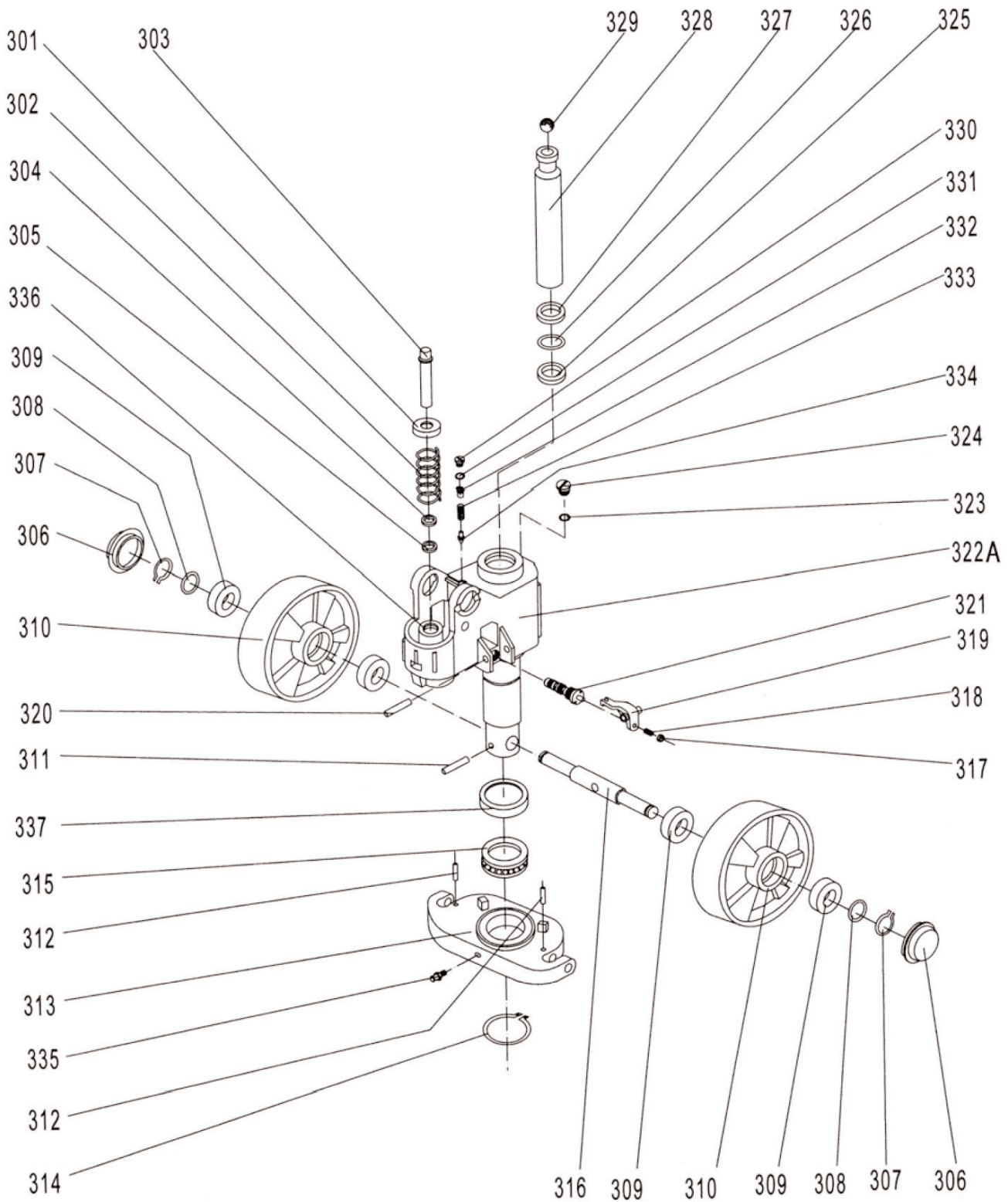
01284 703534



sales@sealey.co.uk



www.sealey.co.uk



**NOTE:** It is our policy to continually improve products and as such we reserve the right to alter data, specifications and component parts without prior notice.

**IMPORTANT:** No liability is accepted for incorrect use of product.

**WARRANTY:** Guarantee is 12 months from purchase date, proof of which will be required for any claim.



Parts Information:  
Pallet Truck 2500kg 1150 x 540mm  
Model No: PT2500

Item	Part No.	Description
301	PT2500.301	SPRING CAP
302	PT2500.302	SPRING LSA
303	PT2500.303	PUMP PISTON
304	PT2500.304	DUST RING
305	PT2500.305	SEAL
306	PT2500.306	DUST COVER
307	PT2500.307	LOCKING RING
308	PT2500.308	METAL SEALING RING
309	PT2500.309	BEARING
310	PT2500.310	WHEEL, FIXED (W/BEARING)(200x20x50)
311	PT2500.311	ELASTIC PIN
312	PT2500.312	ELASTIC PIN
313	PT2500.313	THRUST PLATE
314	PT2500.314	RETAINING RING
315	PT2500.315	BEARING
316	PT2500.316	SHAFT OF LOADING WHEEL
317	PT2500.317	NUT
318	PT2500.318	SCREW
319	PT2500.319	LEVER PLATE

Item	Part No.	Description
320	PT2500.320	ELASTIC PIN
321	PT2500.321	VALVE CARTRIDGE
322A	PT2500.322A	PUMP BODY
323	PT2500.SK	SEAL KIT
324	PT2500.324	SEAL PLUG
325	PT2500.SK	SEAL KIT
326	PT2500.SK	SEAL KIT
327	PT2500.SK	SEAL KIT
328	PT2500.328	PISTON ROD
329	PT2500.329	STEEL BALL
330	PT2500.330	SCREW PLUG
331	PT2500.SK	SEAL KIT
332	PT2500.332	BOLT
333	PT2500.333	SPRING
334	PT2500.334	SPINDLE OF SAFETY VALVE
335	GNM19S	GREASE NIPPLE STR 6 x 1.00mm SINGLE
336	PT2500.336	CYLINDER
337	PT2500.337	COVER OF BEARING
--	PT2500.SK	SEAL KIT (NOT SHOWN)

**NOTE:** It is our policy to continually improve products and as such we reserve the right to alter data, specifications and component parts without prior notice.

**IMPORTANT:** No liability is accepted for incorrect use of product.

**WARRANTY:** Guarantee is 12 months from purchase date, proof of which will be required for any claim.

Sealey Group, Kempson Way, Suffolk Business Park, Bury St Edmunds, Suffolk. IP32 7AR



01284 757500



01284 703534



sales@sealey.co.uk



www.sealey.co.uk