

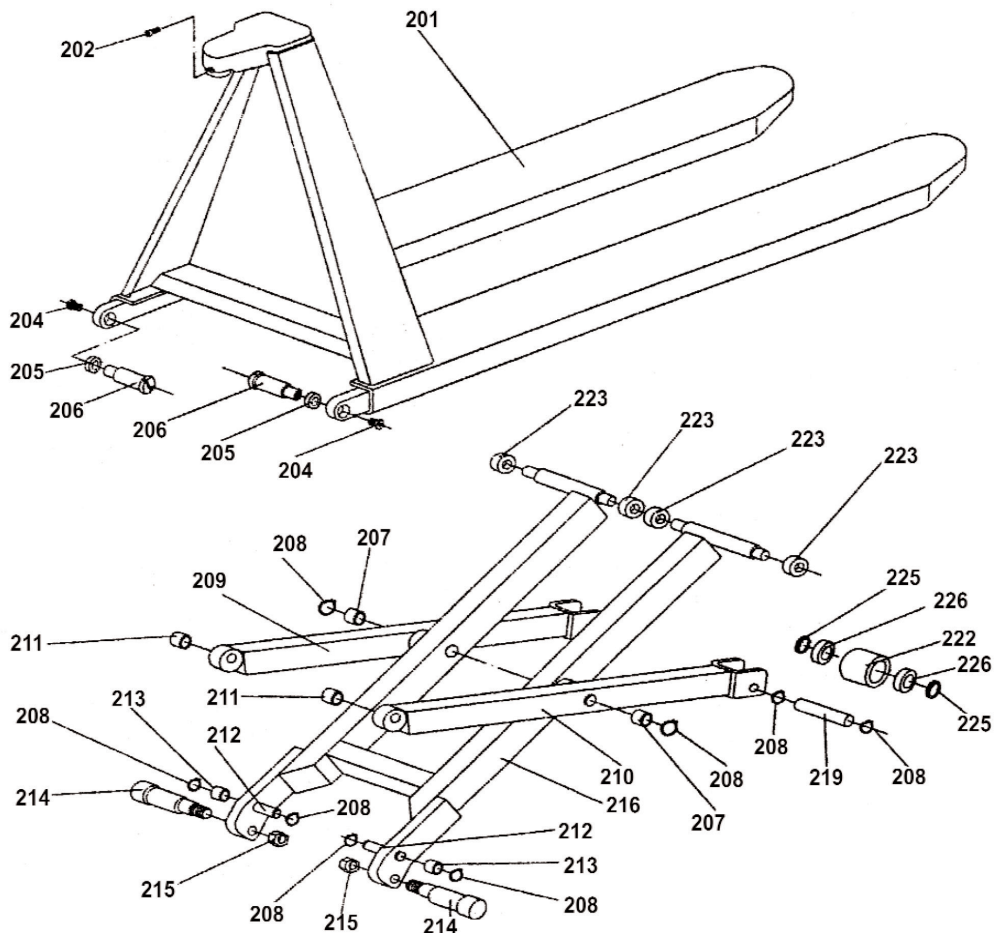
Item	Part No.	Description
101N	PT1170H.101N	Release rod assy (parts 102, 103, 104, 122,)
--	PT1170H.102	Chain (NOT SHOWN)
--	PT1150SC2.103	Adjusting bolt m5x32 (NOT SHOWN)
--	NLN5.S	Nyloc nut m5 zinc din 985 (single)(NOT SHOWN)
105	PT1150.V2-105	Axle with hole
106	PT1150.V2-106	Elastic pin
107	PT1150.V2-107	Bushing
108	PT1170H.108	Roller pin
109	PT1170H.109	Pressure roller
109A	PT1170H.109A	Bushing
110N	PT1170H.110N	Draw bar

Item	Part No.	Description
112	PT1170H.112	Elastic pin
113	PT1170H.113	Blade spring
114	PT1170H.114	Spring
115	PT1170H.115	Elastic pin
116	PT1170H.116	Elastic pin
117	PT1170H.117	Control handle
118	PT1170H.118	Roller
119	PT1170H.119	Elastic pin
--	PT1170H.111	Rubber stop (NOT SHOWN)
--	PT1170H.121	Pull board (NOT SHOWN)
--	PT1170H.122	Pin (NOT SHOWN)

NOTE: It is our policy to continually improve products and as such we reserve the right to alter data, specifications and component parts without prior notice.

IMPORTANT: No liability is accepted for incorrect use of product.

WARRANTY: Guarantee is 12 months from purchase date, proof of which will be required for any claim.

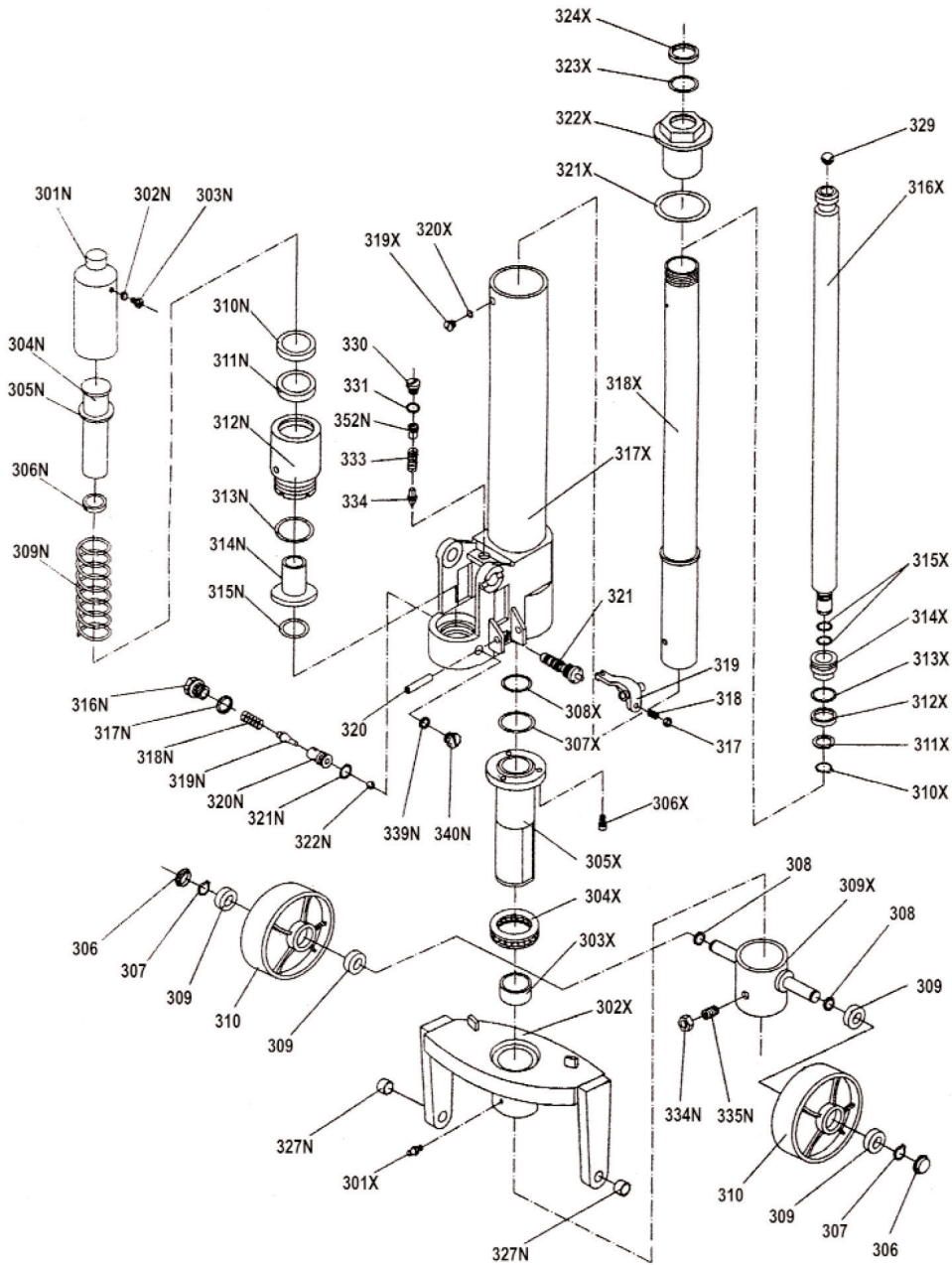


Item	Part No.	Description	Item	Part No.	Description
201	PT1170H.201X	Fork frame	212	PT1170H.211N	Pin
202	PT1170H.202N	Skt. hd bolt m6x16	213	PT1170H.212N	Bushing
204	PT1170H.204N	Screw	214	PT1170H.214N	Axle
205	PT1170H.205N	Zinc yellow disc	215	PT1170H.215N	Nyloc nut m18 x 1.5 fine pitch
206	PT1170H.206N	Pin	216	PT1170H.216N	Inner leg
207	PT1170H.207N	Bushing	219	PT1170H.219N	Shaft roller
208	PT1170H.208N	Ext Circlip 22.4mm OD.	222	PT1170H.222N	Roller
209	PT1170H.209NL	Left leg	223	PT1170H.223N	Steel roller
210	PT1170H.209NR	Right leg	225	PT1170H.225	Seal ring
211	PT1170H.210N	Bushing	226	B/6204-2RS	Bearing 6204-2rs

NOTE: It is our policy to continually improve products and as such we reserve the right to alter data, specifications and component parts without prior notice.

IMPORTANT: No liability is accepted for incorrect use of product.

WARRANTY: Guarantee is 12 months from purchase date, proof of which will be required for any claim.



NOTE: It is our policy to continually improve products and as such we reserve the right to alter data, specifications and component parts without prior notice.

IMPORTANT: No liability is accepted for incorrect use of product.

WARRANTY: Guarantee is 12 months from purchase date, proof of which will be required for any claim.



Parts Information:
Pallet Truck 1000kg 1170 x 540mm High Lift
Model No: PT1170H

Item	Part No.	Description
301N	PT1170H.301N	Quick lifting piston
301X	PT1170H.301X	Grease nipple 6mm
302N	PT1170H.302N	Seal washer
302X	PT1170H.302X	Thrust plate
303N	PT1170H.303N	Deflating screw
303X	PT1170H.303X	Bushing
304N	PT1170H.304N	Slow lifting piston
304X	PT1170H.304X	Bearing race 51112
305N	PT1170H.305N	Thick washer m20
305X	PT1170H.305X	Lower cylinder
306	PT1170H.306	Dust cover
306N	PT1170H.306N	Y-ring
306X	PT1170H.306X	Screw
307	PT1170H.307	"Ext Circlip 22.5mm OD. "
308	PT1170H.308	White nylon ring washer
307X	PT1170H.307X	O-ring
308X	PT1170H.308X	O-ring
309	PT1170H.309	Bearing
309N	PT1170H.309N	Spring
309X	PT1170H.309X	Holding site for wheel
310	PT1170H.310	Wheel, fixed (178x19x50)
310N	PT1170H.310N	Dust ring
310X	PT1170H.310X	Locking ring
311N	PT1170H.311N	Y-ring
311X	PT1170H.311X	Washer
312N	PT1170H.312N	Quick lifting pump cylinder
312X	PT1170H.312X	Y-ring
313N	PT1170H.313N	O-ring
313X	PT1170H.313X	O-ring
314N	PT1170H.314N	Slow lifting pump cylinder
314X	PT1170H.314X	Piston
315N	PT1170H.315N	O-ring
315X	PT1170H.315X	O-ring
316N	PT1170H.316N	Screw
316X	PT1170H.316X	Piston rod
317	PT1170H.317	Nut m8

Item	Part No.	Description
317N	PT1170H.317N	Seal washer
317X	PT1170H.317X	Pump body
318	PT1170H.318	Screw
318N	PT1170H.318N	Spring
318X	PT1170H.318X	Cylinder
319	PT1170H.319	Lever plate
319N	PT1170H.319N	Pump valve spindle
319X	PT1170H.319X	Screw
320	PT1170H.320	Elastic pin
320N	PT1170H.320N	Valve seat
320X	PT1170H.320X	Seal washer
321	PT1170H.321	Valve cartridge
321N	PT1170H.321N	O-ring
321X	PT1170H.321X	Seal washer
322N	PT1170H.322N	Steel ball 8.7mm
322X	PT1170H.322X	Screw cover
323X	PT1170H.323X	O-ring
324X	PT1170H.324X	Dust ring
327N	PT1170H.327N	Bushing
329	PT1170H.329	Steel ball 18mm
330	PT1170H.330	Screw plug
331	PT1170H.331	O-ring
333	PT1170H.333	Spring
334	PT1170H.334	Safety valve spindle
334N	PT1170H.334N	Nut
335N	PT1170H.335N	Screw
339N	PT1170H.339N	Seal washer
340N	PT1170H.340N	Screw
352N	PT1170H.352N	Adjusting bolt m12x15
NGX	PT1170H.NGX	Wheel ass'y
	PT1170H.NHDX	Handle ass'y
NPX	PT1170H.NPX	Piston ass'y
NRX	PT1170H.NRX	Load roller ass'y
NSX	PT1170H.NSX	Safety valve ass'y
NVX	PT1170H.NVX	Seal kit ass'y
--	B/51112	Bearing race 51112 (NOT SHOWN)

NOTE: It is our policy to continually improve products and as such we reserve the right to alter data, specifications and component parts without prior notice.

IMPORTANT: No liability is accepted for incorrect use of product.

WARRANTY: Guarantee is 12 months from purchase date, proof of which will be required for any claim.

Sealey Group, Kempson Way, Suffolk Business Park, Bury St Edmunds, Suffolk. IP32 7AR



01284 757500



01284 703534



sales@sealey.co.uk



www.sealey.co.uk