

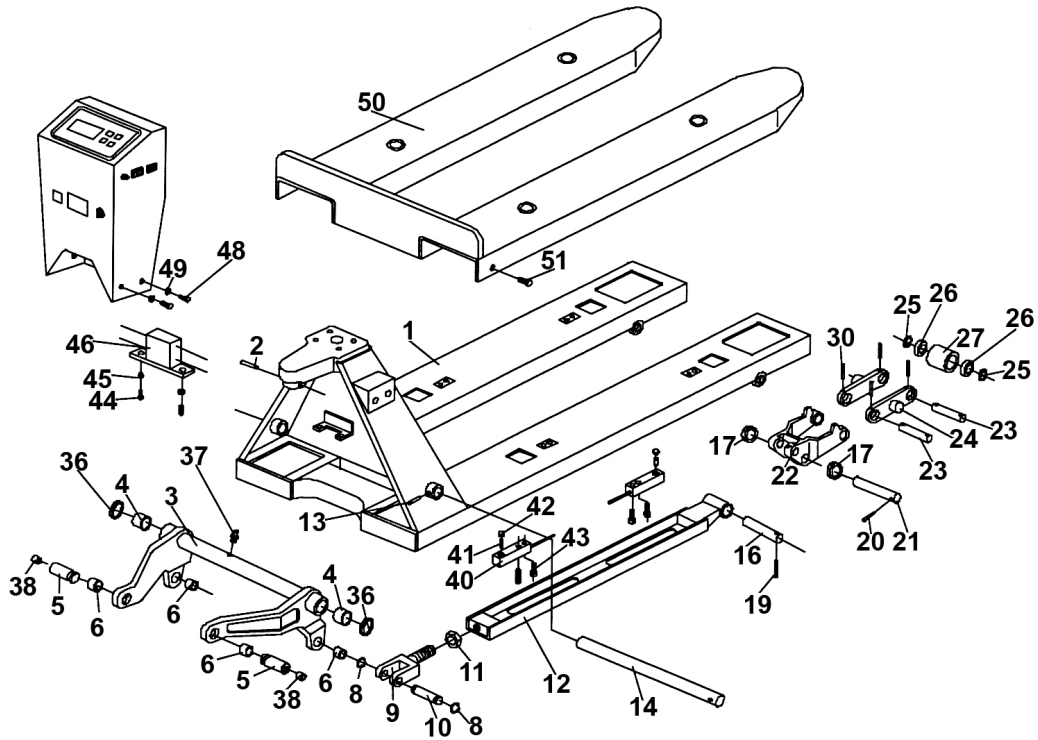
Item	Part No.	Description
1	PT1150SC.101	Release rod
2	PT1150SC.102	Chain c/w bolt (includes part 103)
3	PT1150SC.102	Chain c/w bolt (includes part 103)
4	PT1150SC.104	Adjusting nut
5	PT1150SC.105	Axle with hole
6	PT1150SC.106	Elastic pin
7	PT1150SC.107	Bushing
8	PT1150SC.108	Roller pin
9	PT1150SC.109	Pressure roller
9A	PT1150SC.109A	Bushing
11	PT1150SC.111	Rubber stop

Item	Part No.	Description
--	PT1150SC.110	Operating handle (NOT SHOWN)
12	PT1150SC.112	Elastic pin
13	PT1150SC.113	Blade spring
14	PT1150SC.114	Spring
15	PT1150SC.115	Elastic pin
16	PT1150SC.116	Elastic pin
17	PT1150SC.117	Control lever
18	PT1150SC.118	Roller
19	PT1150SC.119	Elastic pin
21	PT1150SC.121	Pull board
22	PT1150SC.122	Pin

NOTE: It is our policy to continually improve products and as such we reserve the right to alter data, specifications and component parts without prior notice.

IMPORTANT: No liability is accepted for incorrect use of product.

WARRANTY: Guarantee is 12 months from purchase date, proof of which will be required for any claim.



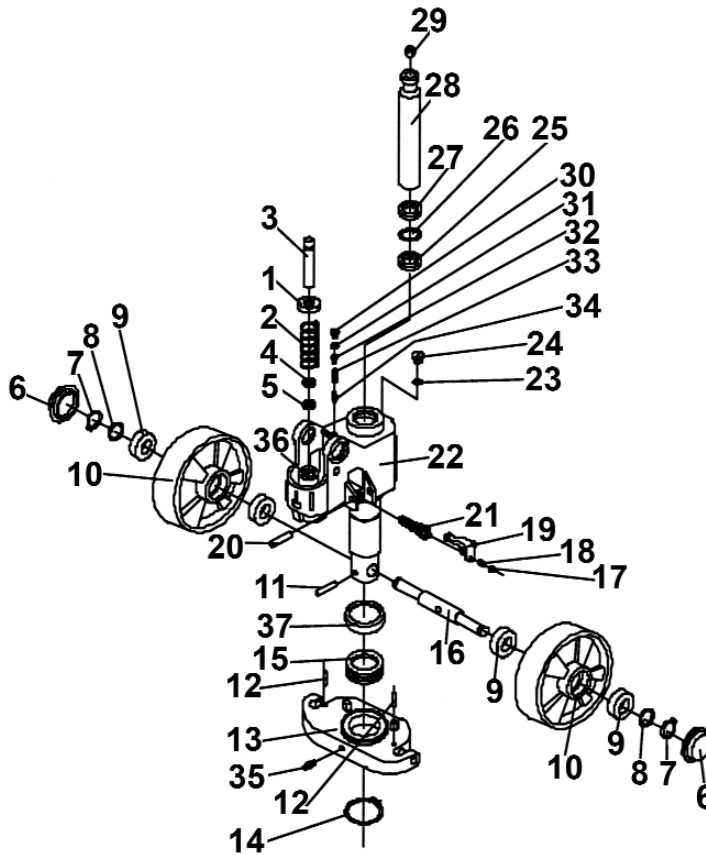
Item	Part No.	Description
1	PT1150SC.201B	Main fork frame
2	PT1150SC.202	Elastic pin
3	PT1150SC.203B	Rock arm
4	PT1150SC.204	Bushing
5	PT1150SC.205	Shaft
6	PT1150SC.206	Bushing
8	PT1150SC.208	Retaining ring
9	PT1150SC.209B	Joint
10	PT1150SC.210B	Pin
11	PT1150SC.211B	Nut
12	PT1150SC.212B	Pushing rod
13	PT1150SC.213B	Elastic pin
14	PT1150SC.214B	Long shaft
16	PT1150SC.216B	Shaft
17	PT1150SC.217B	Washer
19	PT1150SC.219	Elastic pin
20	PT1150SC.220	Elastic pin
21	PT1150SC.221B	Shaft
22	PT1150SC.222B	Roller frame
23	PT1150SC.223	Roller shaft

Item	Part No.	Description
24	PT1150SC.224B	Link plate
25	PT1150SC.225	Washer
26	PT1150SC.226	Bearing
27	PT1150SC.227B	Loading roller
30	PT1150SC.230	Elastic pin
36	PT1150SC.236	Washer
37	PT1150SC.237	Grease nipple 6mm
38	PT1150SC.238	Grease nipple 6mm
40	PT1150SC.240B	Load cell
41	PT1150SC.241B	Pin
42	PT1150SC.242B	Holding seat
43	PT1150SC.243B	Screw
44	PT1150SC.244B	Screw
45	PT1150SC.245B	Nut
46	PT1150SC.246B	Cable box
48	PT1150SC.248B	Socket cap bolt zinc m8x25
49	PT1150SC.249B	Washer m8
50	PT1150SC.250B	Upper platform forks
51	PT1150SC.251B	Screw

NOTE: It is our policy to continually improve products and as such we reserve the right to alter data, specifications and component parts without prior notice.

IMPORTANT: No liability is accepted for incorrect use of product.

WARRANTY: Guarantee is 12 months from purchase date, proof of which will be required for any claim.



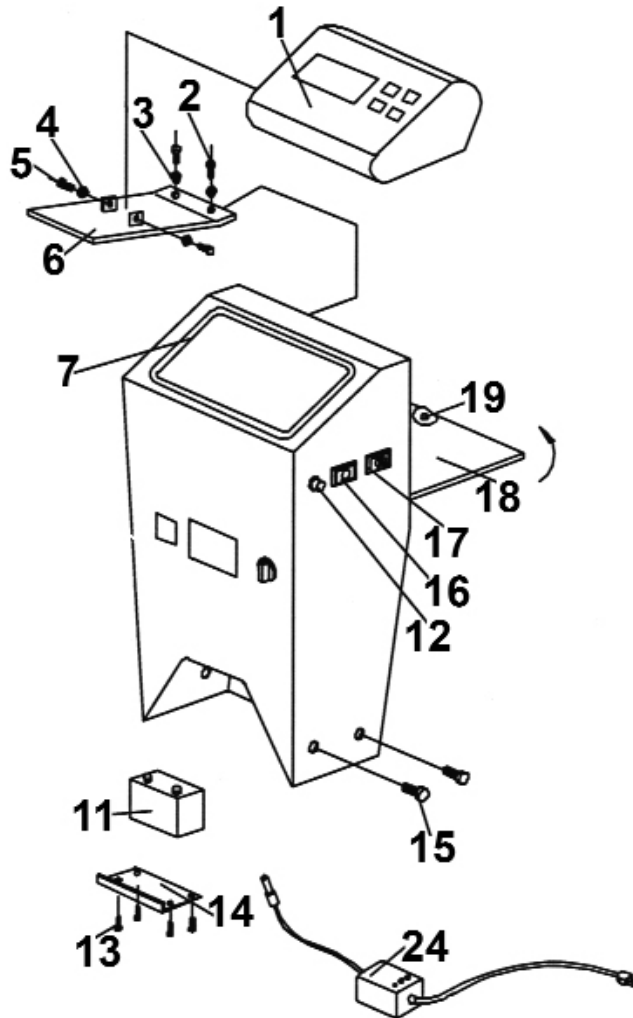
Item	Part No.	Description
1	PT1150SC.301	Spring cap
2	PT1150SC.302	Spring
3	PT1150SC.303	Pump piston
4	PT1150SC.304	Dust ring
5	PT1150SC.305	Seal
6	PT1150SC.306	Dust cover
7	PT1150SC.307	Locking ring
8	PT1150SC.308	Washer
9	PT1150SC.309	Bearing
10	PT1150SC.310B	wheel, steel, 180x50x38mm
11	PT1150SC.311	Elastic pin
12	PT1150SC.312	Elastic pin
13	PT1150SC.313	Thrust plate
14	PT1150SC.314	Retaining ring
15	PT1150SC.315	Bearing
16	PT1150SC.316	Loading wheel shaft
17	PT1150SC.317	Nut
18	PT1150SC.318	Screw
19	PT1150SC.319	Lever plate

Item	Part No.	Description
20	PT1150SC.320	Elastic pin
21	PT1150SC.321	Valve cartridge
22	PT1150SC.322B	Pump body
23	PT1150SC.323	Seal washer
24	PT1150SC.324	Screw plug
25	PT1150SC.325	Seal
26	PT1150SC.326	O-ring
27	PT1150SC.327	Dust ring
28	PT1150SC.328	Piston rod
29	PT1150SC.329	Steel ball
30	PT1150SC.330	Screw plug
31	PT1150SC.331	O-ring
32	PT1150SC.332	Bolt
33	PT1150SC.333	Spring
34	PT1150SC.334	Safety valve spindle
35	PT1150SC.335	Grease nipple 6mm
36	PT1150SC.336	Cylinder
37	PT1150SC.337	Bearing cover

NOTE: It is our policy to continually improve products and as such we reserve the right to alter data, specifications and component parts without prior notice.

IMPORTANT: No liability is accepted for incorrect use of product.

WARRANTY: Guarantee is 12 months from purchase date, proof of which will be required for any claim.



Item	Part No.	Description
1	PT1150SC.DU1	Lcd display & control pad
2	PT1150SC.DU2	Screw
3	PT1150SC.DU3	Nut
4	PT1150SC.DU4	Nut
5	PT1150SC.DU5	Screw
6	PT1150SC.DU6	Fixing board
7	PT1150SC.DU7	Protecting rubber ring
11	PT1150SC.DU11	Battery for display unit
12	PT1150SC.DU12	Power switch
13	PT1150SC.DU13	Screw
14	PT1150SC.DU14	Fixing board (lower)
15	PT1150SC.DU15	Bolt

Item	Part No.	Description
16	PT1150SC.DU16	Electrical outlet socket (charger)so
17	PT1150SC.DU17	Electrical outlet socket (dc power)
18	PT1150SC.DU18	Cover plate flap
19	PT1150SC.DU19	Locking nut for cover plate
24	PT1150SC.DU24	Adaptor
--	PT1150SC.B	Battery for pt1150sc (NOT SHOWN)
--	PT1150SC.C	Charger for pt1150sc (NOT SHOWN)
--	PT1150SC.DU	Display unit (complete) (NOT SHOWN)
--	B/51111	Bearing race 51111 (NOT SHOWN)
--	PT1150SC.RK	Hydraulic repair kit (NOT SHOWN)
--	PT1150SC.UNIT	Hydraulic unit complete (NOT SHOWN)

NOTE: It is our policy to continually improve products and as such we reserve the right to alter data, specifications and component parts without prior notice.

IMPORTANT: No liability is accepted for incorrect use of product.

WARRANTY: Guarantee is 12 months from purchase date, proof of which will be required for any claim.