

Item	Part No.	Description
1	120/112017	Potentiometer
2	120.120197	Air Set
3	120/120203	Gas Regulator
4	120.121007	Switch
5	120/121043	Knob Kit
6	120/122144	Air Switch
7	120/122155	Electro Valve 230V
8	120/122599	Switch
9	120.122988	Thermostat
10	120/123252	Cable 6mmq 5
10	120/712039	Dinse Plug Small (9mm Pin 10-25mm Cable)
--	120/132158	Mains Cable (NOT SHOWN)
12	120/152101	Fan
13	120.169244	Power Transformer
14	120.169245	Inductance
15	120/322065	Buckle
16	120.322112	Bushing
17	120/322408	Belt

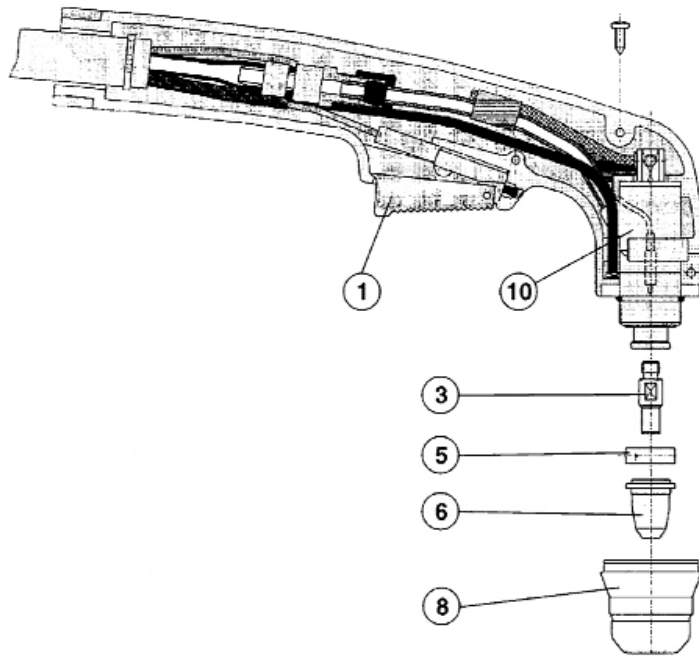
Item	Part No.	Description
18	120/322497	Frame
19	120/482833	Diaphragm
20	120/482834	Side Member
21	120.602326	Manometer
22	120.638603	Front Panel
23	120.638604	Back Panel
24	120/644183	Bottom
25	120/712035	Dinse Socket
26	120/712231	Work Clamp
27	120/742065	Plasma Torch (1999 Model - Marked S45)
28	120.990758	Primary Kit Board
29	120.990759	Secondary PCB Kit
30	120.990760	Control Board Kit
31	120.990761	IGBT Kit
32	120.990762	Kit Diodes
33	120.990796	Cover Kit
--	120/990179	Kit Primary PCB (NOT SHOWN)

**NOTE:** It is our policy to continually improve products and as such we reserve the right to alter data, specifications and component parts without prior notice.

**IMPORTANT:** No liability is accepted for incorrect use of product.

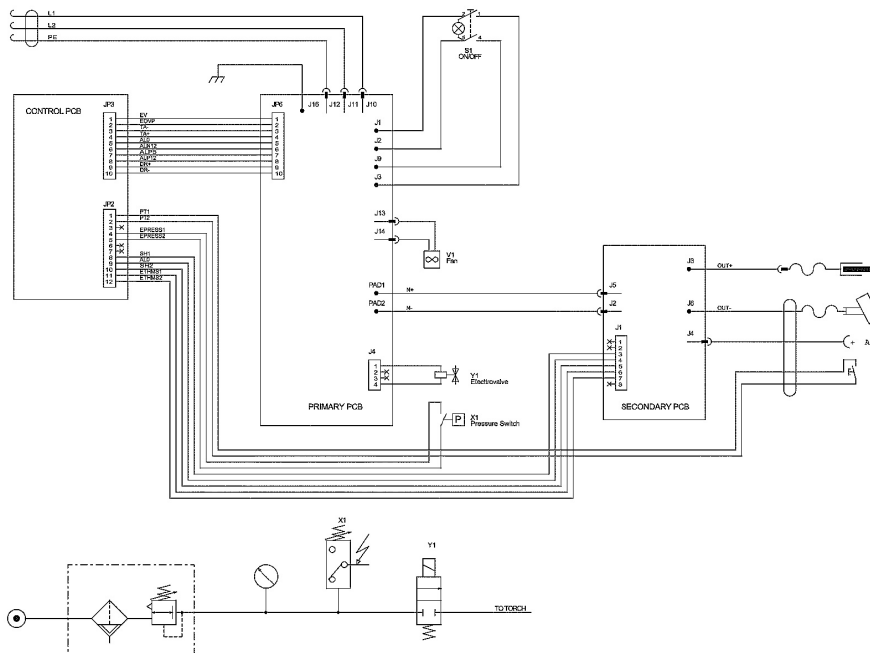
**WARRANTY:** Guarantee is 12 months from purchase date, proof of which will be required for any claim.

## Parts Information: Inverter Plasma 40Amp 230V Model No: PP35



Item	Part No.	Description
1	120/722677	Push Button
3	120/802420	Electrode Short Low Power Pack Of 5
3	120/802428	Electrode Long Pack Of 5
5	120/802422	Diffuser Pack Of 5
6	120/802423	Nozzle Short Low Power Pack Of 5
6	120/802429	Nozzle Long Pack Of 5
8	120/802425	Torch Safety Cap Pack Of 2

Item	Part No.	Description
10	120/742036	Torch Head Assembly
--	168.305375	Switch Red (NOT SHOWN)
--	120/802128	Spacer Pack Of 5 (NOT SHOWN)
--	120/802424	Nozzle Short High Power Pack Of 5 (NOT SHOWN)
--	120/742000	Complete Handle (NOT SHOWN)
--	120.742474	Torch Head Assembly (NOT SHOWN)



**NOTE:** It is our policy to continually improve products and as such we reserve the right to alter data, specifications and component parts without prior notice.

**IMPORTANT:** No liability is accepted for incorrect use of product.

**WARRANTY:** Guarantee is 12 months from purchase date, proof of which will be required for any claim.