

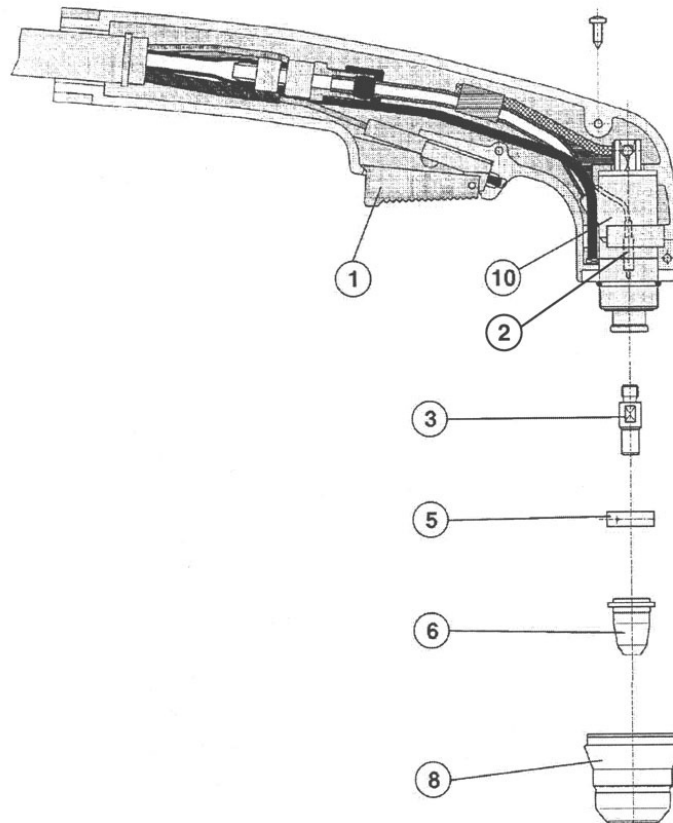
Item	Part No.	Description
1	120/112017	Potentiometer
2	120/112048	Resistor
3	120.113122	Capacitor 400v 680uf 50x35
4	120.113233	Relay
5	120/113487	PWM Controller
6	120.114299	Control Board
7	120.116346	Rectifier
8	120.120522	Gas Regulator
9	120.121064	Knob For Potentiometer
10	120/122155	Electro Valve 230v
11	120/122381	Switch, Green Rocker
12	120.123422	Cable 6mmq 3m
13	MC3CX1.5	Mains Cable Blk, 3 core, 1.5mm2
14	120/152006	Fan
15	120/152230	Transformer
16	120/164741	Inductance Filter

Item	Part No.	Description
17	120.169222	Inductance
18	120.169224	Power Transformer
19	120.169234	Transformer
20	120/322138	Bushing, Cable
21	120.322689	Front Panel
22	120.322691	Handle
23	120.322728	Back Panel
24	120.602326	Manometer
25	120.645146	Gas Regulator Support
26	120/712231	Work Clamp
27	120.742237	Plasma Torch
28	120.990734	Kit IGBT + Diode
29	120.990736	Kit Diode
30	120.980040	Cover Kit
31	120.980041	Bottom Kit
32	120.990979	Complete Control PCB Kit

**NOTE:** It is our policy to continually improve products and as such we reserve the right to alter data, specifications and component parts without prior notice.

**IMPORTANT:** No liability is accepted for incorrect use of product.

**WARRANTY:** Guarantee is 12 months from purchase date, proof of which will be required for any claim.



Item	Part No.	Description
--	120/722677	Push Button (NOT SHOWN)
1, 2	168.305375	Switch Red
--	120.990983	Plug Kit (Jan '08 Onwards) (NOT SHOWN)
3	120/802420	Electrode Short Low Power Pack Of 5
3	120/802428	Electrode Long Pack Of 5
5	120/802422	Diffuser Pack Of 5
6	120/802423	Nozzle Short Low Power Pack Of 5

Item	Part No.	Description
6	120/802429	Nozzle Long Pack Of 5
--	120.802096	Torch Safety Cap Pack Of 2 (NOT SHOWN)
8	120/802093	Kit 2 Torch Safety Caps
8	120/742036	Torch Head Assembly
8	120/742000	Complete Handle
--	120.742474	Torch Head Assembly (NOT SHOWN)
--	120.742475	Torch Handle (NOT SHOWN)

**NOTE:** It is our policy to continually improve products and as such we reserve the right to alter data, specifications and component parts without prior notice.

**IMPORTANT:** No liability is accepted for incorrect use of product.

**WARRANTY:** Guarantee is 12 months from purchase date, proof of which will be required for any claim.