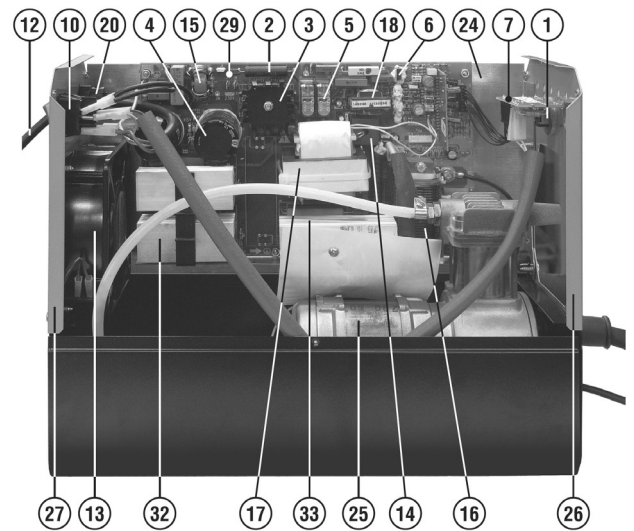
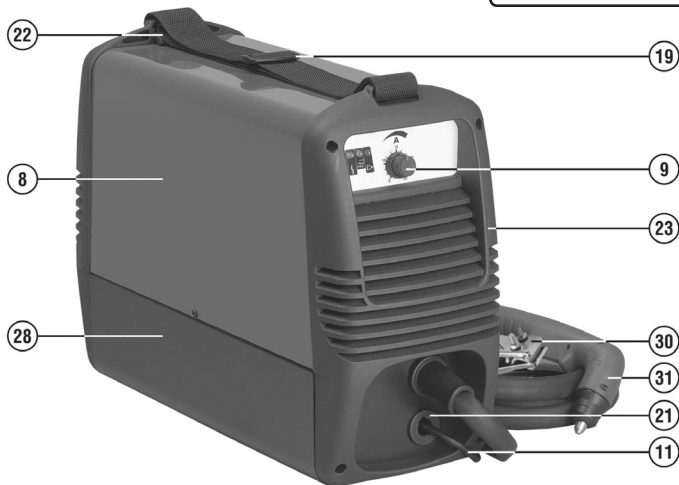




Parts Information:
Inverter Plasma 25Amp with Compressor
230V
Model No: PP25PLUS.V2



Item	Part No.	Description
1	120/112017	POTENTIOMETER
--	120.114720	POTENTIOMETER (NOT SHOWN)
2	120/112048	RESISTOR
3	120.116346	RECTIFIER
4	120.113122	CAPACITOR 400v 680uf 50x35
5	120.113233	RELAY
6	120/113487	PWM CONTROLLER
7	120.980681	CONTROL PCB KIT
8	120.990792	COVER KIT
9	120/121043	KNOB KIT
10	120/122381	SWITCH, GREEN ROCKER
11	120.123422	CABLE 6MMQ 3M
12	MC3CX1.5	MAINS CABLE BLK, 3 CORE, 1.5MM2
13	120/152101	FAN
14	120/152230	TRANSFORMER
15	120/164741	INDUCTANCE FILTER
16	120.169222	INDUCTANCE

Item	Part No.	Description
17	120.169223	POWER TRANSFORMER
18	120.169246	TRANSFORMER
19	120/322065	BUCKLE
20	120.322112	BUSHING
21	120/322138	BUSHING, CABLE
22	120/322408	BELT
23	120.322508	FRAME
24	120.484264	BRACKET
25	120.981060	COMPRESSOR KIT
26	120.638044	FRONT PANEL
27	120.638598	BACK
28	120.644793	BOTTOM
29	120.990756	KIT CONTROL PCB
30	120/712231	WORK CLAMP
31	120.742271	PLASMA TORCH 25A/35% S25K 4M
32	120.990734	KIT IGBT + DIODE
33	120.990736	KIT DIODE

NOTE: It is our policy to continually improve products and as such we reserve the right to alter data, specifications and component parts without prior notice.

IMPORTANT: No liability is accepted for incorrect use of product.

WARRANTY: Guarantee is 12 months from purchase date, proof of which will be required for any claim.

Sealey Group, Kempson Way, Suffolk Business Park, Bury St Edmunds, Suffolk. IP32 7AR



01284 757500



01284 703534



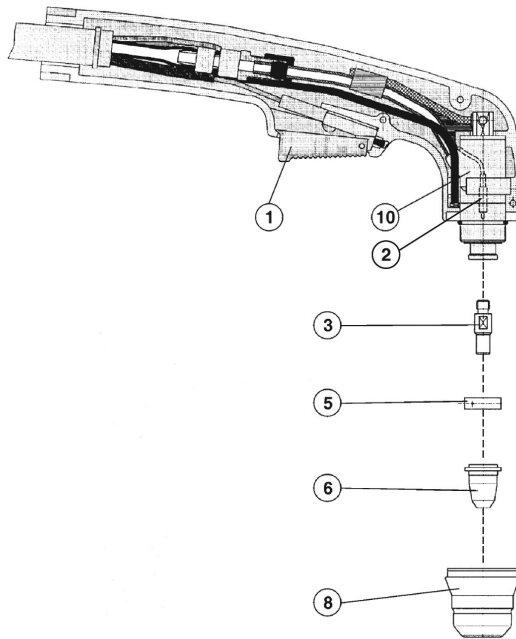
sales@sealey.co.uk



www.sealey.co.uk

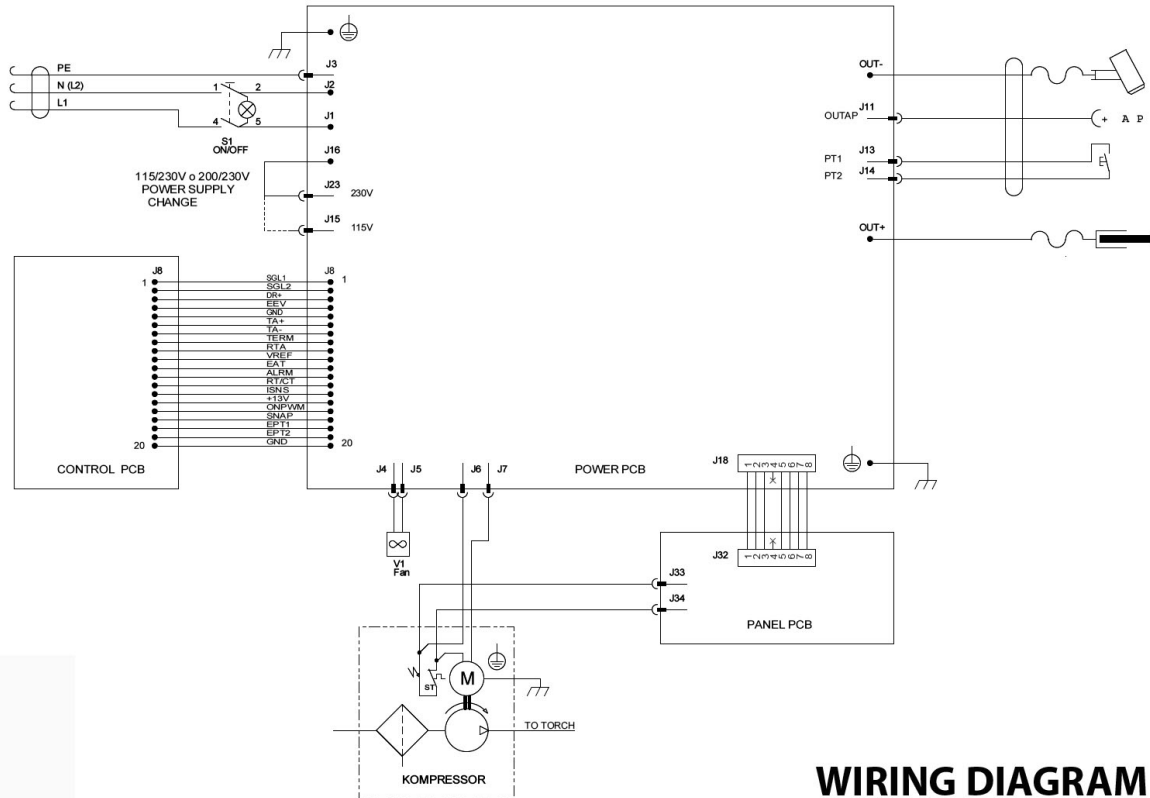


Parts Information:
Inverter Plasma 25Amp with Compressor
230V
Model No: PP25PLUS.V2



Item	Part No.	Description
1	120/722677	PUSH BUTTON
2	120.990983	PLUG KIT (JAN '08 ONWARDS)
3	120/802420	ELECTRODE SHORT LOW POWER Pack of 5
5	120/802422	DIFFUSER Pack of 5

Item	Part No.	Description
6	120/802092	NOZZLE Pack of 5
8	120/802093	KIT 2 TORCH SAFETY CAPS
10	120/742036	TORCH HEAD ASSEMBLY



WIRING DIAGRAM

NOTE: It is our policy to continually improve products and as such we reserve the right to alter data, specifications and component parts without prior notice.

IMPORTANT: No liability is accepted for incorrect use of product.

WARRANTY: Guarantee is 12 months from purchase date, proof of which will be required for any claim.

Sealey Group, Kempson Way, Suffolk Business Park, Bury St Edmunds, Suffolk. IP32 7AR



01284 757500



01284 703534



sales@sealey.co.uk



www.sealey.co.uk