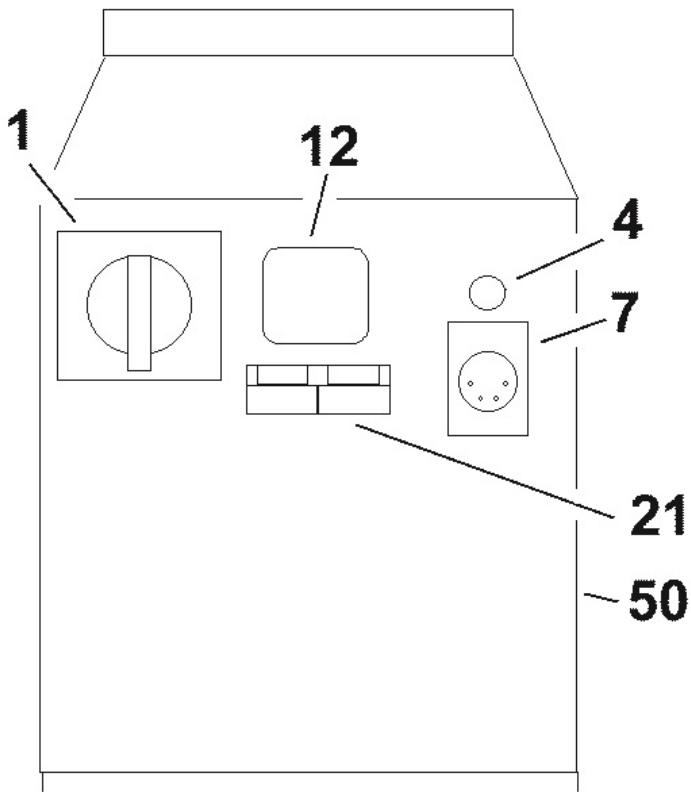
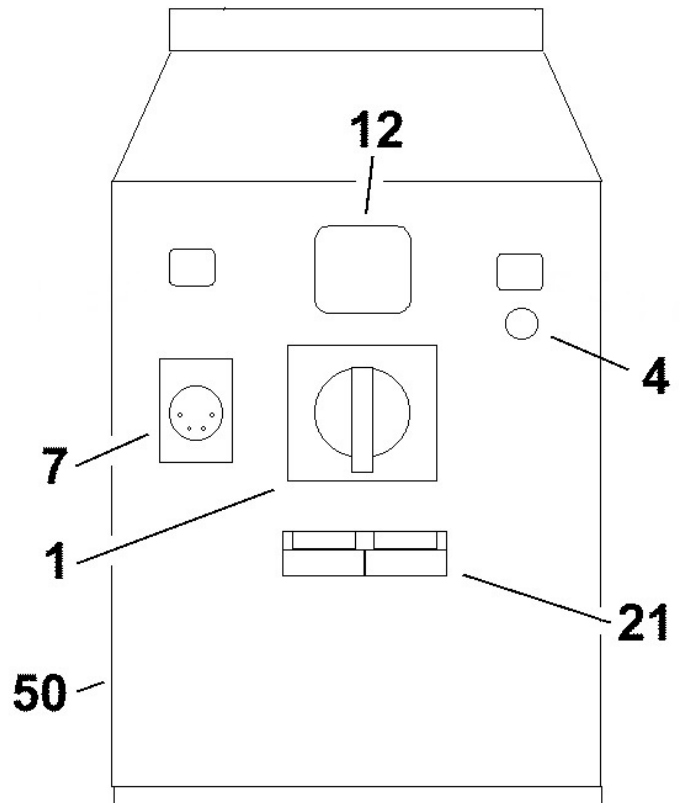




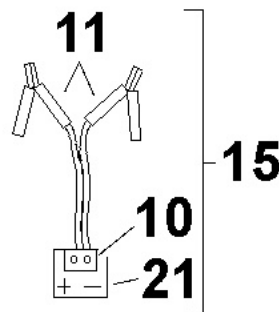
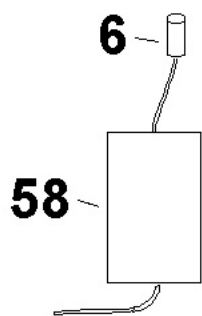
Parts Information:  
**PowerStart Emergency Jump Starter**  
**200hp Start 12V**  
**Model No: POWERSTART200**



**POWERSTART200**



**POWERSTART350 & POWERSTART500**



Item	Part No.	Description
1	SP.1	POWER CONTROL SWITCH 12V
4	SP.4	TEST BUTTON INC. WIRING
--	SP.5	VARISTOR (NOT SHOWN)
6	SP.6	4 PIN CHARGING PLUG (MALE)
7	SP.7	4 PIN CHARGING SOCKET (FEMALE)
--	SP.8	5A FUSE 32V 1.9x1.9 (NOT SHOWN)
--	SP.9	5A FUSE HOLDER (NOT SHOWN)
10	SP.10	REVERSE POLARITY INDICATOR UNIT
11	SP.11	500A CROCODILE CLAMP (PAIR)
12	SP.12	PANEL METER**CAN BE BLACK OR WHITE DIAL*

Item	Part No.	Description
15	SP.15	35MM X 2M STANDARD POWER CABLE
21	SP.21	ANDERSON SNAP CONNECTOR
50	SP.50	CASING
--	SP.55	BATTERY 12v 16ah (NOT SHOWN)
58	POWERSTARTCP	CHARGER UNIT FOR POWERSTART 200/350/500
--	SP.60	HEAVY DUTY TROLLEY (NOT SHOWN)
--	SP.60A	HOSE, BATTERY BREATHING (0.5Metre LENGTH (NOT SHOWN)
--	SP.75	AUTO-RESETTING THERMAL CIRCUIT BREAKER (NOT SHOWN)

**NOTE:** It is our policy to continually improve products and as such we reserve the right to alter data, specifications and component parts without prior notice.

**IMPORTANT:** No liability is accepted for incorrect use of product.

**WARRANTY:** Guarantee is 12 months from purchase date, proof of which will be required for any claim.

**Sealey Group**, Kempson Way, Suffolk Business Park, Bury St Edmunds, Suffolk. IP32 7AR



01284 757500



01284 703534



sales@sealey.co.uk



www.sealey.co.uk