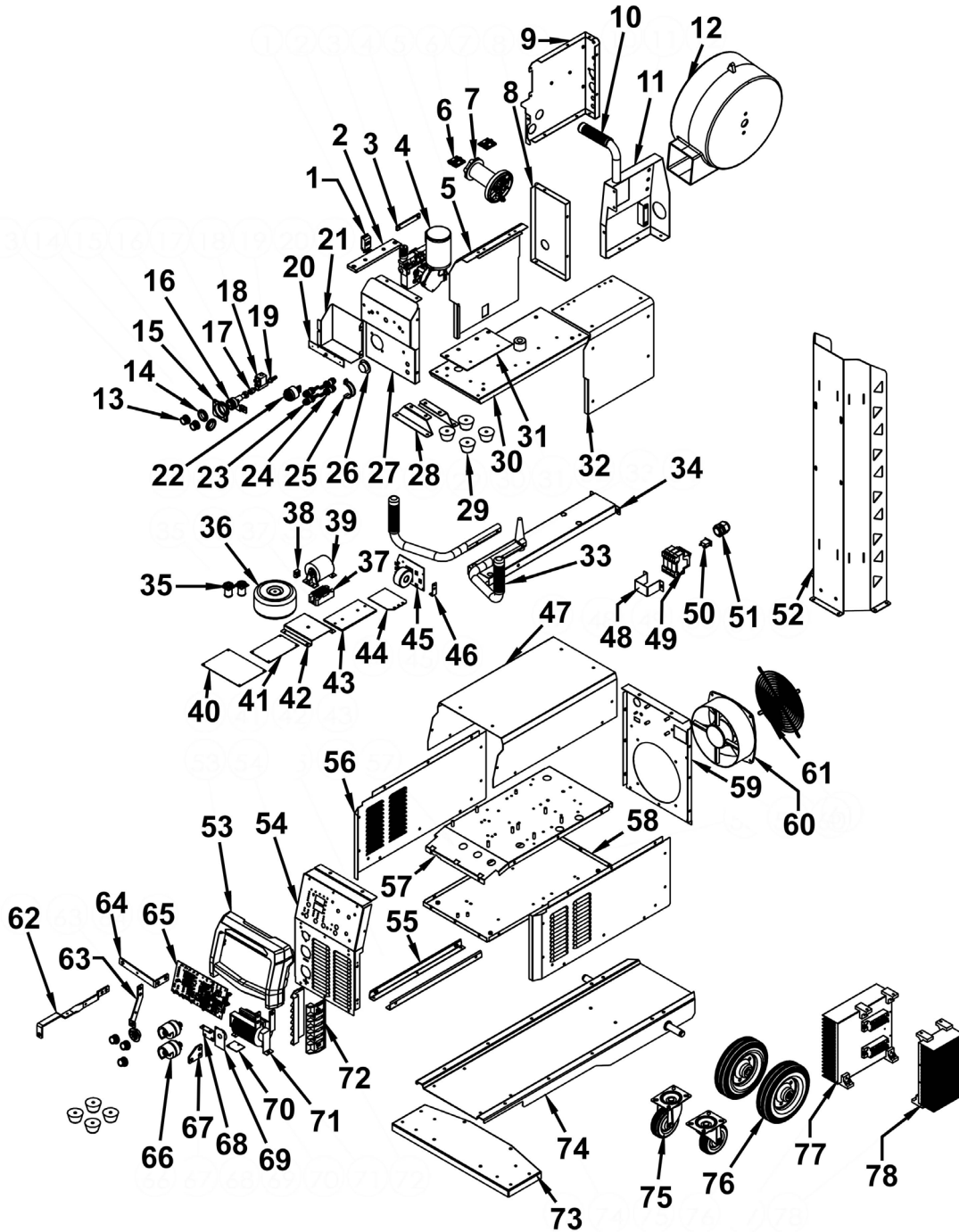


Parts Information:
**500A Professional Gas/Gasless MIG/
 MMA/TIG Inverter Welder With Portable
 Wire Feeder 415V 3ph
 Model No: POWERMIG500i**



Item	Part No.	Description	Qty
1	POWERMIG500Wi-01	Door Latch (for Wire Feed Unit)	1
2	POWERMIG500Wi-02	Brace Insulator	1
3	POWERMIG500Wi-03	Brace Strip	1
4	POWERMIG500Wi-04	Wire Feed Motor	1
5	POWERMIG500Wi-05	Side Panel, Left Side	1

Item	Part No.	Description	Qty
6	POWERMIG500Wi-06	Door Hinge (for Wire Feed Unit)	2
7	POWERMIG500Wi-07	Wire Spool Holder	1
8	POWERMIG500Wi-08	Rear Panel (for Wire Feed Unit)	1
9	POWERMIG500Wi-09	Middle Panel (for Wire Feed Unit)	1
10	POWERMIG500Wi-10	Handle Grip	3

NOTE: It is our policy to continually improve products and as such we reserve the right to alter data, specifications and component parts without prior notice. There may be alternative versions of this product, please contact us should you require this information.

IMPORTANT: No liability is accepted for incorrect use of product. Spare parts must be fitted by a competent person

WARRANTY: Guarantee is 12 months from purchase date, proof of which will be required for any claim.



Parts Information:
**500A Professional Gas/Gasless MIG/
 MMA/TIG Inverter Welder With Portable
 Wire Feeder 415V 3ph
 Model No: POWERMIG500i**

Item	Part No.	Description	Qty
11	POWERMIG500Wi-11	Spool Holder Bracket	1
12	POWERMIG500Wi-12	Wire Feed Cover	1
13	POWERMIG500Wi-33	Potentiometer Knob (for Wire Feed Unit)	5
14	POWERMIG500Wi-35	Bushing Ring (for Wire Feed Unit)	2
15	POWERMIG500Wi-34	Insulating Surround (for Wire Feed Unit)	1
16	POWERMIG500Wi-13	Euro Torch Connector	1
17	POWERMIG500Wi-17	Gas Connector	1
18	POWERMIG500Wi-18	Solenoid Valve	1
19	POWERMIG500Wi-19	Air Inlet Connector	1
20	POWERMIG500Wi-22	Control Panel PCB (for Wire Feed Unit)	1
21	POWERMIG500Wi-23	Control Panel PCB Cover	1
22	POWERMIG500Wi-14	Dinse Socket Connector	1
23	POWERMIG500Wi-15	Connection Socket (Red - for Wire Feed Unit)	2
24	POWERMIG500Wi-16	Connection Socket (Blue - for Wire Feed Unit)	2
25	POWERMIG500Wi-21	U-Clamp	1
26	POWERMIG500Wi-20	Quick Socket	2
27	POWERMIG500Wi-24	Front Panel (for Wire Feed Unit)	1
28	POWERMIG500Wi-31	Support Bracket (for Wire Feed Unit)	2
29	POWERMIG500Wi-27	Rubber Foot (for Wire Feed Unit)	8
30	POWERMIG500Wi-26	Bottom Panel (for Wire Feed Unit)	1
31	POWERMIG500Wi-25	Insulating Plate (for Wire Feed Unit)	1
32	POWERMIG500Wi-05	Side Panel, Left Side	1
33	POWERMIG500Wi-29	Side Handle (for Wire Feed Unit)	2
34	POWERMIG500Wi-30	Fixed Beam (for Wire Feed Unit)	1
35	POWERMIG500Wi-40	Bushing Ring	2
36	POWERMIG500Wi-37	Transformer	1
37	POWERMIG500Wi-38	Bridge Rectifier	1
38	POWERMIG500Wi-41	PCB Base	1
39	POWERMIG500Wi-39	Capacitance	1
40	POWERMIG500Wi-44	Wire Feed Panel PCB	1
41	POWERMIG500Wi-45	Drive PCB	1
42	POWERMIG500Wi-43	Transformer Bracket	1
43	POWERMIG500Wi-47	Bridge Radiator	1
44	POWERMIG500Wi-46	Protection PCB	1
45	POWERMIG500Wi-50	EMC PCB	1
46	POWERMIG500Wi-48	Bracket (L-Shape)	1

Item	Part No.	Description	Qty
47	POWERMIG500Wi-61	Top Panel (for Main Unit)	1
48	POWERMIG500Wi-52	Circuit Breaker Bracket	1
49	POWERMIG500Wi-53	Circuit Breaker	1
50	POWERMIG500Wi-49	Switch Socket	1
51	POWERMIG500Wi-51	Cable Grip	1
52	POWERMIG500Wi-54	Upright Bar	1
53	POWERMIG500Wi-72	Front Plastic Frame	1
54	POWERMIG500Wi-74	Front Panel (for Main Unit)	1
55	POWERMIG500Wi-42	Water Tank Bracket	2
56	POWERMIG500Wi-59	Panel, Left Side (for Main Unit)	1
57	POWERMIG500Wi-60	Mounting Beam	1
58	POWERMIG500Wi-62	Bottom Panel (for Main Unit)	1
59	POWERMIG500Wi-63	Rear Panel (for Main Unit)	1
60	POWERMIG500Wi-64	Fan	1
61	POWERMIG500Wi-65	Fan Cover	1
62	POWERMIG500Wi-55	Positive Angled Bar	1
63	POWERMIG500Wi-56	Negative Angled Bar	1
64	POWERMIG500Wi-57	Angled Bar	1
65	POWERMIG500Wi-70	Control Panel PCB (for Main Unit)	1
66	POWERMIG500Wi-68	Joint	2
67	POWERMIG500Wi-67	Quick Connector	1
68	POWERMIG500Wi-32	PCB Bracket	1
69	POWERMIG500Wi-69	Panel	1
70	POWERMIG500Wi-73	Protection Panel	1
71	POWERMIG500Wi-71	Inductance	1
72	POWERMIG500Wi-58	Panel Trim Strip	2
73	POWERMIG500Wi-96	Roller Support Bracket	1
74	POWERMIG500Wi-95	Gas Cylinder Tray	1
75	POWERMIG500Wi-97	Swivel Castor Wheel	2
76	POWERMIG500Wi-98	Fixed Wheel	2
77	POWERMIG500Wi-77	IGBT PCB	1
78	POWERMIG500Wi-78	Current Transformer	1
--	POWERMIG500Wi-99	Earth Clamp Set 2m (Not Shown)	1
--	POWERMIG500Wi-100	Gas Hose 3m (Not Shown)	1
--	POWERMIG500Wi-101	Electrode Holder Set 2m (Not Shown)	1
--	POWERMIG500Wi-102	Power Cable 2m (Not Shown)	1
--	POWERMIG500Wi-104	Signal Connection Cable (Not Shown)	1
--	POWERMIG500Wi-105	Power Connection Cable (Not Shown)	1
--	POWERMIG500i-85	Euro Mig Torch 3m (Not Shown)	1

NOTE: It is our policy to continually improve products and as such we reserve the right to alter data, specifications and component parts without prior notice. There may be alternative versions of this product, please contact us should you require this information.

IMPORTANT: No liability is accepted for incorrect use of product. Spare parts must be fitted by a competent person

WARRANTY: Guarantee is 12 months from purchase date, proof of which will be required for any claim.

Sealey Group, Kempson Way, Suffolk Business Park, Bury St Edmunds, Suffolk. IP32 7AR



01284 757500



sales@sealey.co.uk



www.sealey.co.uk