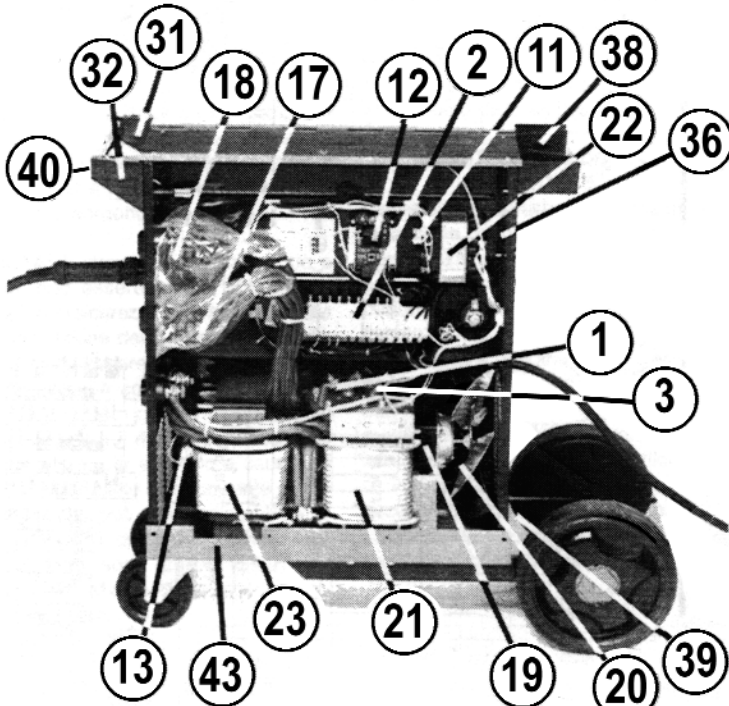
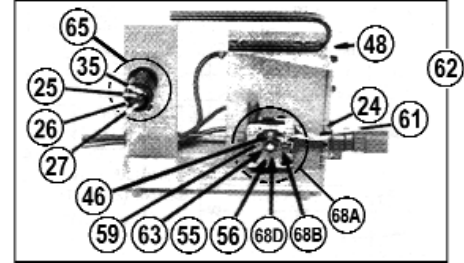
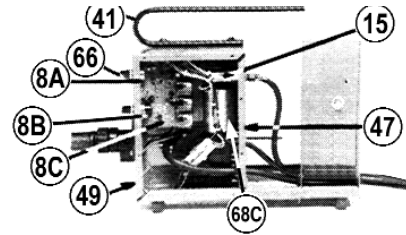


Issue Date:- 18/12/03
Issue No:- 3



PARTS IN BOLD TYPE INDICATE ASSEMBLIES. FOR A FURTHER BREAKDOWN OF COMPONENTS CONTACT YOUR LOCAL SEALEY DEALER (N/S = NOT SHOWN)

ITEM	PART NO	DESCRIPTION
1	120/112131	RECTIFIER (PTS/240)
2	120/112163	VOLTAGE SELECTION CARD 240/415
3	120/112182	PROTECTION, RECTIFIER
4	120/112238	USE 120/112131 (RECTIFIER)
5	120/112131	RECTIFIER (PTS/240)
7	120/112432	USE 120/112556 (REG. CARD)
8	120/112556	REGULATION CARD
8A	120/112282	POTENTIOMETER 1K
8B	120/112283	POTENTIOMETER 10K WITH SWITCH
9	120/122058	KNOB FOR SWITCH
10	120/122381	SWITCH, GREEN ROCKER
11	120/122407	FUSE, 1 Amp
12	120/122479	CONTACTOR
13	120/122525	THERMOSTAT
14	120/122594	LAMP, YELLOW
15	120/122682	ELECTRO-VALVE
16	120/122725	USE 120/122381 (SWITCH)
17	120/122802	SWITCH (SCH 0612/7567)
18	120/122804	SWITCH A2000 (SCH 7568)
19	120/152083	MOTOR, FAN
20	120/152113	FAN BLADE
21	120/164616	REACTANCE
22	120/164621	TRANSFORMER, AUX 240/415V
23	120/164623	TRANSFORMER 240/415V
24	120/312105	TORCH CONNECTION PROTECTION
25	120/312137	KNOB
26	120/322081	SPINDLE, SLEEVE/SPACER TYPE
27	120/322180	SPACER COLLAR
28	120/322187	CASTOR WHEEL COMPLETE
29	120/322189	WHEEL, FIXED
30	120/322190	CAP, WHEEL
31	120/322248	HANDLE SUPPRT BLOCK - RIGHT
32	120/322249	HANDLE SUPPORT BLOCK - LEFT
33	120/422981	AXLE, WHEEL
34	120/432102	BULL NOSE ADAPTOR
35	120/452057	SPRING
36	120/644443	REAR PANEL - BLACK
37	120/644445	DIAPHRAGM - BLACK
38	120/644446	BOTTLE SUPPORT - BLACK
39	120/644447	BASE TROLLEY - BLACK
40	120/644448	HANDLE - BLACK
41	120/644449	HANDLE - WIRE DRIVE
42	120/647949	FRONT PANEL PM4500
43	120/644948	CHASSIS - BLACK
44	120/650284	SIDE PANEL
45	120/650286	TOP COVER
46	120/650288	CHASSIS-WIRE DRIVE
47	120/650289	REAR PANEL-WIRE DRIVE
48	120/650291	SIDE PANEL - WIRE DRIVE
49	120/650587	FRONT PANEL - WIRE DRIVE
50	120/655564	SIDE PANEL
51	120/655565	DOOR *
52	120/712032	EARTH CLAMP
52	LS/25	LEAD (SINGLE) 25mm x 3m c/w EYES
53	120/712036	DINSE SOCKET
54	120/712040	DINSE PLUG
55	120/722112	FEED ROLLER 0.6-0.8mm STEEL
56	120/722113	FEED ROLLER 1.0-1.2 STEEL
57	120/722127	FEED ROLLER 1.0-1.2mm ALLY
58	120/742186	TORCH COMPLETE TB36 3mt BLUE EURO-TERMIN
59	120/722876	WIRE GUIDE INLET
60	120/723030	COPPER CABLE 36mm 3mt
61	120/723067	TORCH CONNECTOR,"EURO"TYPE
62	120/806013	PORTABLE WIRE DRIVE ASSY
63	120/990097	GUIDE HOSE
64	120/990226	CONTROL SOCKET, MOVABLE
65	120/990264	SPINDLE KIT
66	120/990328	KNOB
67	120/990330	SOCKET, COMMAND LEAD
68	120/990351	WIRE FEED UNIT (MOTOR+TENSION) ASSY
68A	120/722112	WIRE TENSION ASSEMBLY
68B	120/722123	COUNTER ROLLER ARM ASSEMBLY
68C	120/153028	WIRE FEED MOTOR
68D	120/232128	WOODRUFF KEY
69	120/802279	KIT, ALUMINIUM

In order to find the diagram corresponding to your model, check the last number "X" of the serial number (N.0000/X) printed on front panel

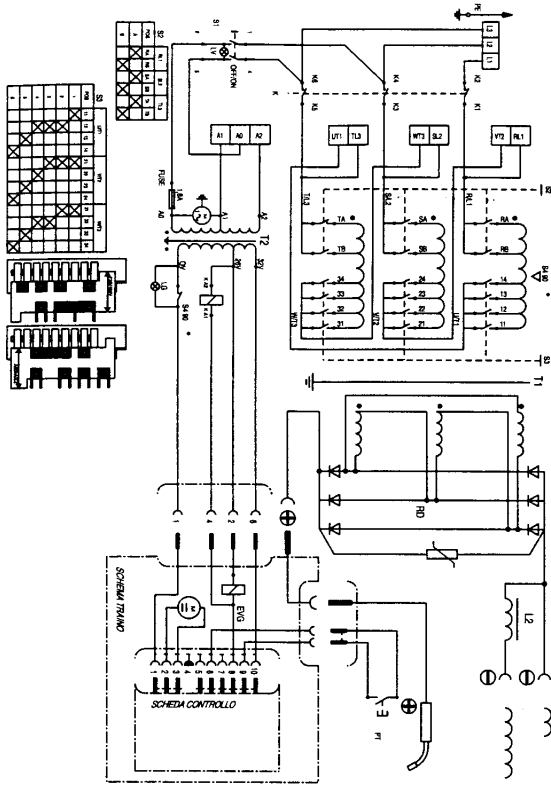


Diagram N. **1**

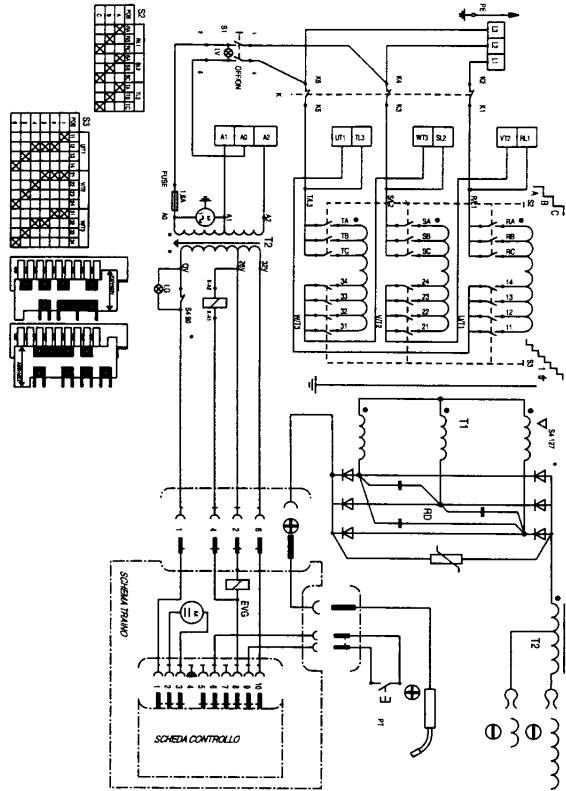


Diagram N. **2**

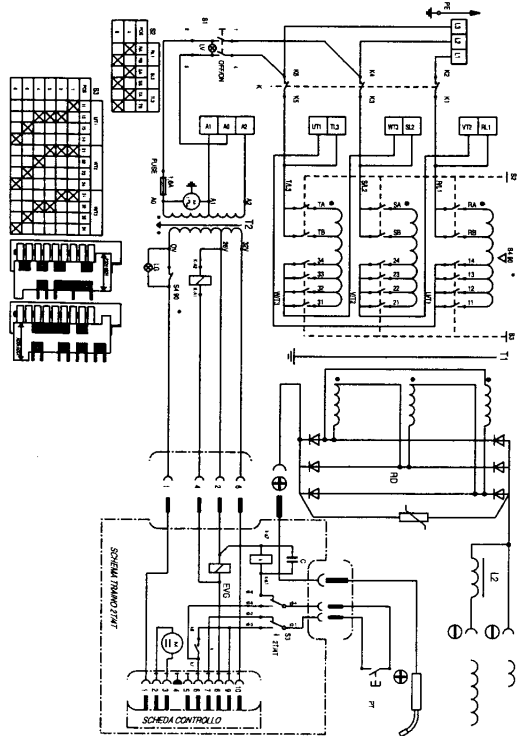


Diagram N.

3

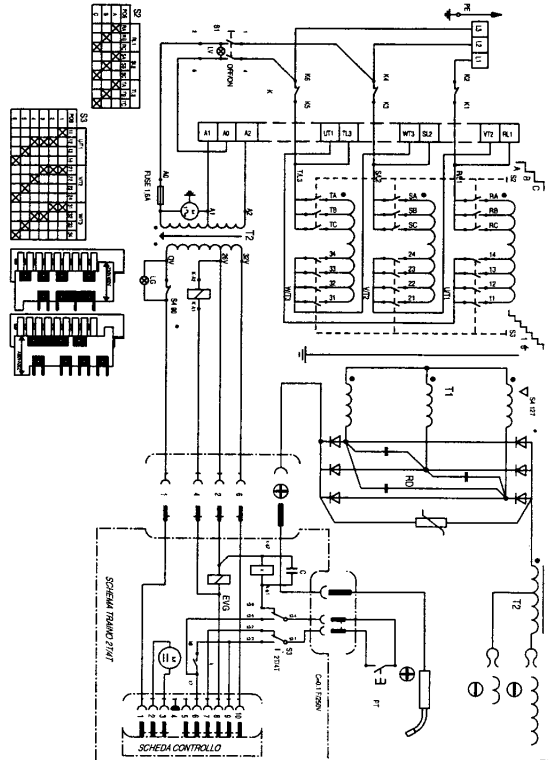
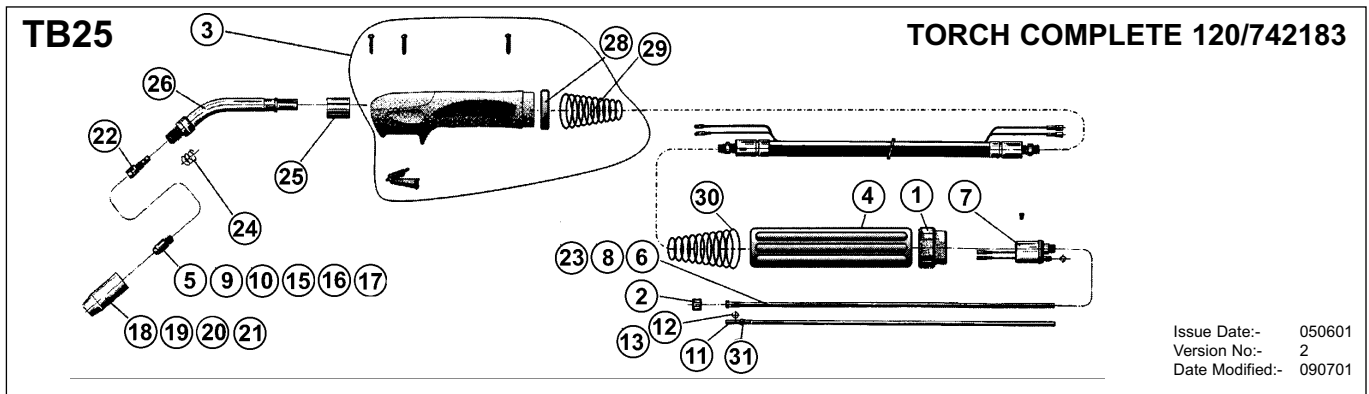


Diagram N.

4

NOTE: It is our policy to continually improve products and as such we reserve the right to alter data, specifications and component parts without prior notice.
IMPORTANT: No liability is accepted for incorrect use of product. **WARRANTY:** Guarantee is 12 months from purchase date, proof of which will be required for any claim. **INFORMATION:** Call us for a copy of our latest catalogue on 01284 757525 and leave your full name and address including your postcode.

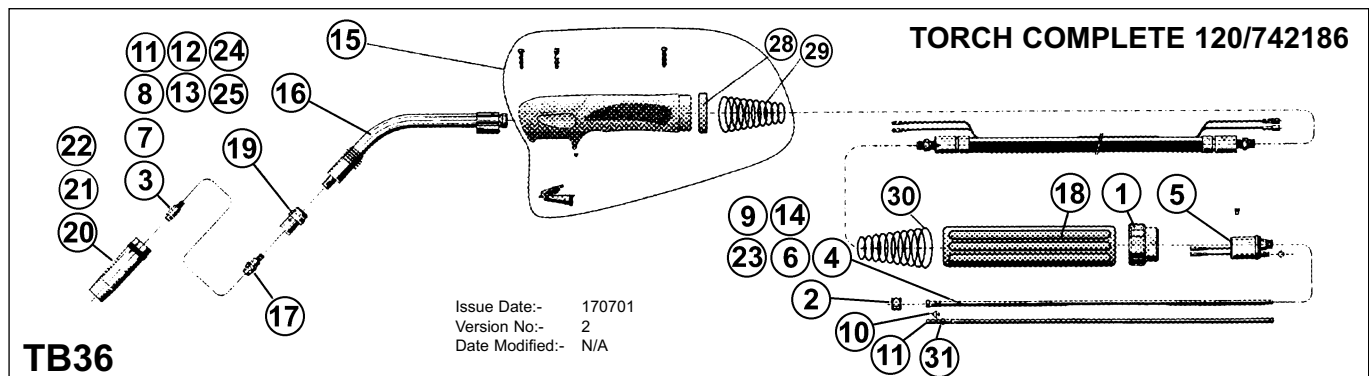
PARTS LIST FOR POWERMIG TORCHES Models 2500, 2750, 3500 only



ITEM	PART NO.	DESCRIPTION	ITEM	PART NO.	DESCRIPTION
1	120/722007	RINGNUT	17	120/722682	CONTACT TIP 1.2mm (AF1)
2	120/722013	NUT,LINER	18	120/722684	NOZZLE, CYLINDRICAL TB25 (AF1)
3	120/742170	HANDLE COMPLETE	19	120/722685	NOZZLE, CONICAL TB25
4	120/742175	GUN PLUG HOUSING	20	120/722686	NOZZLE, THIN HEADED TB25
5	120/722415	CONTACT TIP 0.6mm (AF1)	21	120/722687	NOZZLE, SPOT WELDING TB25
6	120/722437	LINER,T, 0.6-0.8 3m STEEL	22	120/722688	DIFFUSER, GAS (AF1)
7	120/722441	TERMINATION CONNECTION	23	120/722689	LINER,T, 1.0-1.2mm 3m STEEL
8	120/722516	LINER, RED 1.0-1.2mm 3m ALLUMINIUM	24	120/722690	SPRING, NOZZLE RETAINER (AF1)
9	120/722552	CONTACT TIP 1.0mm ALLY (AF1)	25	120/722693	INSULATING BLOCK,TORCH PART
10	120/722553	CONTACT TIP 1.2mm ALLY (AF1)	26	120/722696	LANCE
11	120/722600	LOCKING TEFLON GUIDE WIRE TUBE	28	120/742171	RING NUT
12	120/722601	O-RING 3.5x1.5	29	120/742173	SPRING
13	120/722606	O-RING 4x1	30	120/742174	SPRING
15	120/722680	CONTACT TIP 0.8mm (AF1)	31	120/742598	WIRE GUIDE NIPPLE
16	120/722681	CONTACT TIP 1.0mm (AF1)			

PARTS LIST FOR POWERMIG TORCH

Model 4500 only



ITEM	PART NO.	DESCRIPTION	ITEM	PART NO.	DESCRIPTION
1	120/722007	RINGNUT	17	120/722789	TIP ADAPTOR M6 (AF1)
2	120/722013	NUT, LINER RETAINER	18	120/722790	FRONT SOCKET/SLEEVE
3	120/722415	CONTACT TIP 0.6mm (AF1)	19	120/722791	CERAMIC DIFFUSER (AF1)
4	120/722437	LINER,T, 0.6-0.8 3m STEEL	20	120/722792	NOZZLE, CONICAL TB36 (AF1)
5	120/722441	TERMINATION CONNECTION	21	120/722793	NOZZLE, THIN HEADED TB36
6	120/722516	LINER, RED 1.0-1.2mm 3m ALLUMINIUM	22	120/722794	NOZZLE, SPOT WELDING TB36
7	120/722552	CONTACT TIP 1.0mm ALLY (AF1)	23	120/722795	LINER,T, 1.2-1.6mm 3m STEEL
8	120/722553	CONTACT TIP 1.2mm ALLY (AF1)	24	120/722797	CONTACT TIP 1.6 (AF1)
9	120/722597	LINER,T, 1.6-2.0mm 3m ALLY	25	120/722818	CONTACT TIP 1.6 ALLY (AF1)
10	120/722606	O-RING 4x1	26	120/722819	ADAPTOR GUARD
11	120/722680	CONTACT TIP 0.8mm (AF1)	27	120/722279	KIT, ALUMINIUM
12	120/722681	CONTACT TIP 1.0mm (AF1)	28	120/742138	RING NUT
13	120/722682	CONTACT TIP 1.2mm (AF1)	29	120/742173	SPRING
14	120/722689	LINER,T, 1.0-1.2mm 3m STEEL	30	120/742174	SPRING
15	120/742170	TORCH HANDLE COMPLETE	31	120/722598	WIRE FEED NIPPLE
16	120/722788	LANCE			

NOTE: It is our policy to continually improve products and as such we reserve the right to alter data, specifications and component parts without prior notice.

IMPORTANT: No liability is accepted for incorrect use of product. **WARRANTY:** Guarantee is 12 months from purchase date, proof of which will be required for any claim. **INFORMATION:** Call us for a copy of our latest catalogue on 01284 757525 and leave your full name and address including your postcode.