

NOTE: It is our policy to continually improve products and as such we reserve the right to alter data, specifications and component parts without prior notice.

IMPORTANT: No liability is accepted for incorrect use of product.

WARRANTY: Guarantee is 12 months from purchase date, proof of which will be required for any claim.



Parts Information:
**Professional MIG Welder 350Amp
 400/440V with Euro Torch
 Model No: POWERMIG3500.V2**

Item	Part No.	Description
1	120/112170	Rectifier
2	120/112165	Card
3	120/112182	Protector,Rectifier
4	120/112363	Potentiometer
5	120.112380	Potentiometer
6	120.980714	Timer Control PCB Kit
7	120/122585	Contacto Relay 240V 9Amp
8	120.122517	Switch
9	120/122594	Lamp, Yellow, Slim, 24V
10	120/122682	Electro-Valve 24V
11	120/122725	Switch
12	120/122132	Thermostat (Blue)
13	120/122802	Switch
14	120/122879	Fuse (Glass T1.6Amp 250V 5x20)
15	MC4CX2.5	Mains Cable Blk,4 Core,2.5mm2
16	120/152083	Motor, Fan
17	120/152113	Fan Blade
18	120.153033	Wire Feed Motor (Electrolux)(Internal 24V 50W)
19	120/164089	Transformer
20	120.164991	Auxiliary Transformer
21	120.169339	Reactance
22	120/312105	Torch Connection Protection
23	120/312137	Knob
24	120.980082	Handle
25	120/322081	Spindle, Sleeve/Spacer Type
26	120/322180	Spacer Collar
27	120/322187	Wheel,Castor (124x13x33x141)
28	120.322772	Wheel,Fixed (250x25x55)
29	120.322736	Frame
30	120.323101	Switch Knob Set
31	120.422020	Wheels Axle
--	120/432102	Bull Nose Adaptor (NOT SHOWN)
33	120/452057	Spring
34	120/644444	Hook, Accessory - Black
35	120/644447	Trolley Base

Item	Part No.	Description
36	120/644449	Handle
37	120.645102	Bottom
38	120.645103	Back Panel
39	120.645105	Diaphragm
40	120.649750	Front Panel
41	120.650419	Side Panel
42	120.651059	Side Panel
43	120.651075	Bottom Kit
44	120.645237	Back Panel
45	120.655436	Door
46	120.655437	Cover
47	120.655408	Front Panel
48	120/712231	Work Clamp
49	120/712036	Dinse Socket
50	120/712040	Dinse Plug Large (13mm Pin 35-70mm Cable)
51	120.722225	Roll Feeder For Wire 0,6-0,8
52	120.722227	Roll Feeder For Wire 0,8-1
--	120.722346	Gas Regulator, 2 Manometers (NOT SHOWN)
54	120/742260	Pipe
55	120.723229	Torch Connection
56	120.713192	Cable 25mmq 3m Work Clamp-Dinse 50
57	120.723198	Wire Feed Assembly
58	120.742053	Roller Fixing Screw
59	MIG/T25	MIG Torch 3mtr Euro Connector TB25
--	120.742304	Feed Roll d.0, 8-1 al (NOT SHOWN)
61	120.742306	Wire Guide Inlet
62	120.742307	Left Anchor For Pressure Roller
63	120.742308	Right Anchor For Pressure Roller
--	120/990226	Socket (NOT SHOWN)
65	120/990264	Spindle Kit
66	120/990328	Knob
67	120/990330	Socket, Command Lead
68	120/990097	Guide Hose 2mm x 4mm x 122mm
69	120.742366	Roll Feeder For Wire 0.1-1.2
70	120.722241	Roll Feeder For Wire 1.2-1.6

NOTE: It is our policy to continually improve products and as such we reserve the right to alter data, specifications and component parts without prior notice.

IMPORTANT: No liability is accepted for incorrect use of product.

WARRANTY: Guarantee is 12 months from purchase date, proof of which will be required for any claim.

Sealey Group, Kempson Way, Suffolk Business Park, Bury St Edmunds, Suffolk. IP32 7AR



01284 757500



01284 703534

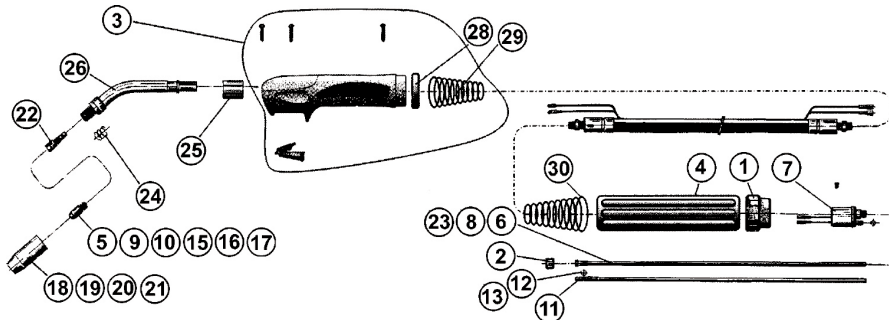
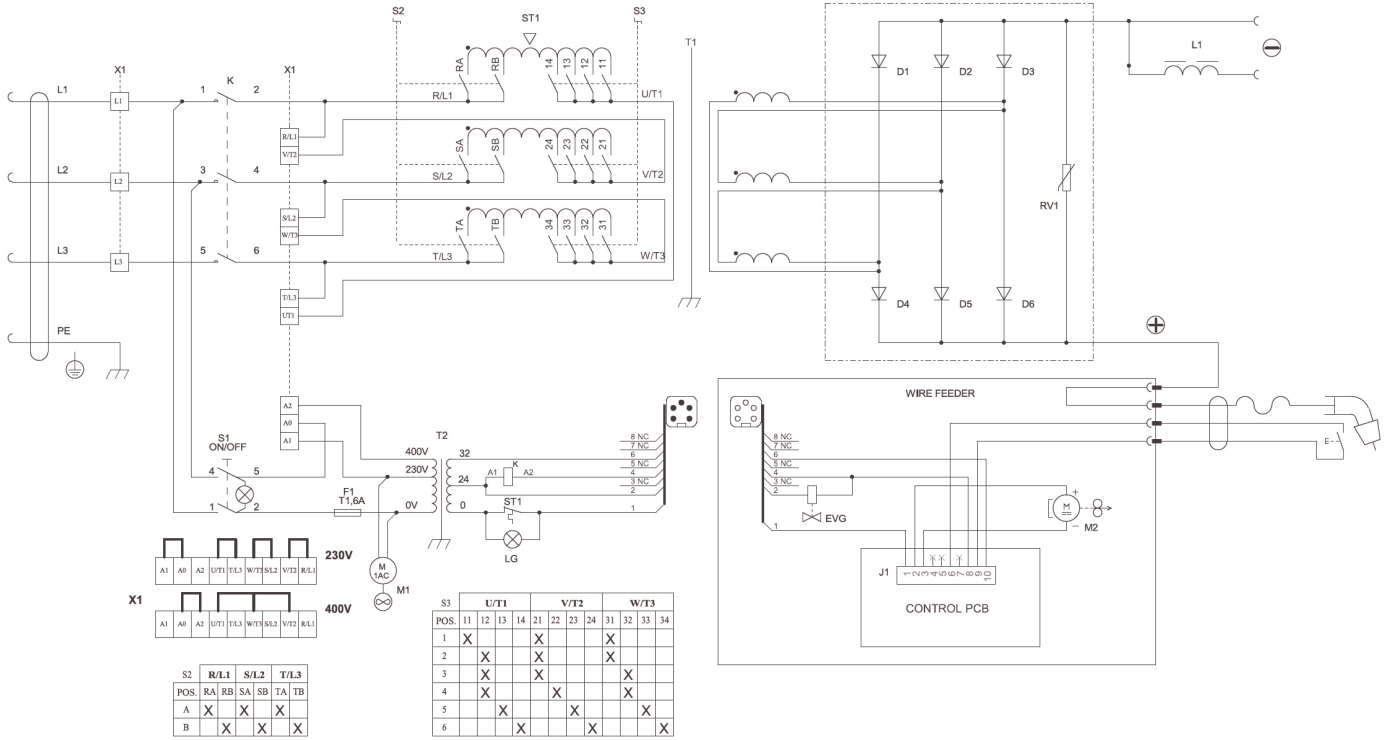


sales@sealey.co.uk



www.sealey.co.uk

Parts Information: Professional MIG Welder 350Amp 400/440V with Euro Torch Model No: POWERMIG3500.V2



Item	Part No.	Description
1	120/722007	Adaptor Nut
2	120/722013	Liner Positioner Nut
3	120/742170	Handle Without Switch (With Trigger)
4	120/742175	Gun Plug Housing
5	MIG956	Contact Tip 0.6mm TB15 Pack Of 5
6	168.301535	Blue Steel Liner, Dia 1,5/4,5mm Round
7	120/722441	Central Adaptor kz2 For 15/25/36 305300
8	120/722909	Liner, Red, 1.0-1.2mm 3.25m Alluminium
9	MIG921	Contact Tip 1mm Aluminium TB25/36 Pack Of 5
10	120/722553	Contact Tip tr-25 m6-08-1.2a 100223
11	120/722600	Guide Tube
12	168.301300	O-Ring For Teflon Liner 4x1.5mm
13	120/722606	O-Ring
15	MIG917	Contact Tip 0.8mm TB25/36 Pack Of 5

Item	Part No.	Description
16	MIG918	Contact Tip 1mm TB25/36 Pack Of 5
17	MIG919	Contact Tip 1.2mm TB25/36 Pack Of 5
18	MIG915	Cylindrical Nozzle TB25/36 Pack Of 2
19	MIG929	Conical Nozzle TB25/36 Pack Of 2
20	120/722686	Thin Headed Nozzle TB25/36 Single
21	120/722687	Spot Welding Nozzle TB25/36 Single
22	MIG913	Diffuser Adaptor TB25/36 Pack Of 2
23	120/722689	Liner,t, 1.0-1.2mm 3mt Steel
24	MIG914	Nozzle Spring TB25/36 Pack Of 2
25	120/722693	Plastic Body For Swanneck 305500
26	120/300060	Swanneck
28	120/742171	Ring Nut
29	120/742173	Spring
30	120/742174	Spring

NOTE: It is our policy to continually improve products and as such we reserve the right to alter data, specifications and component parts without prior notice.

IMPORTANT: No liability is accepted for incorrect use of product.

WARRANTY: Guarantee is 12 months from purchase date, proof of which will be required for any claim.