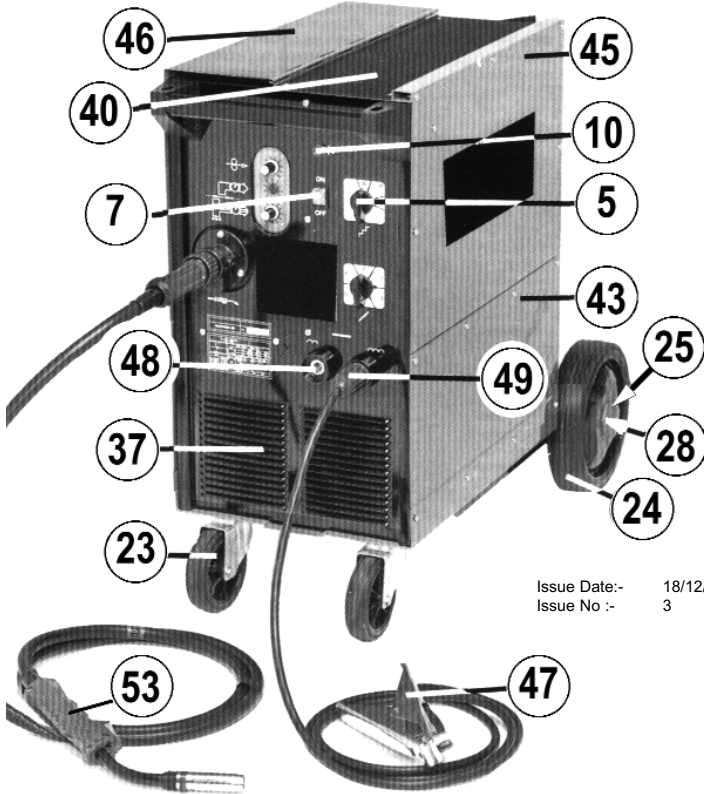
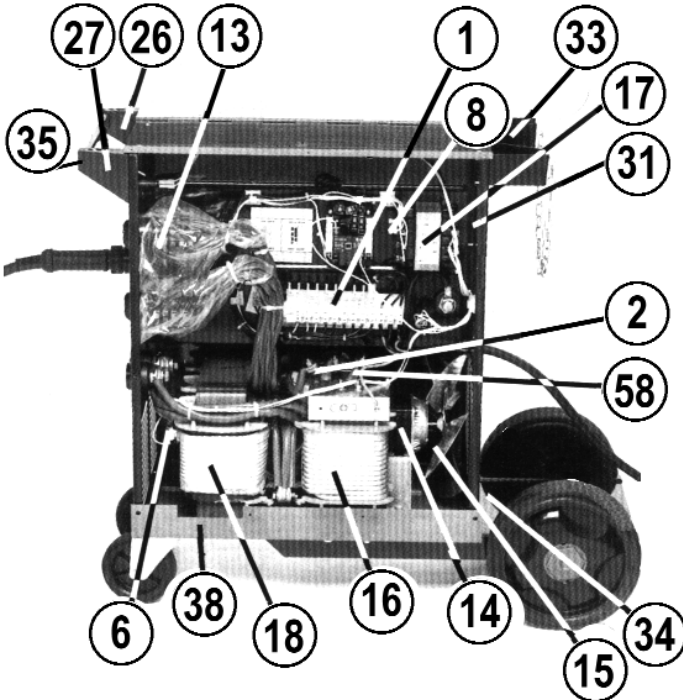
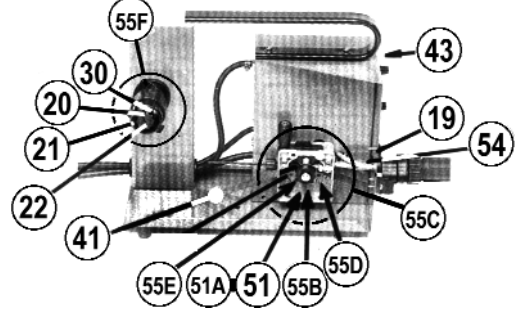
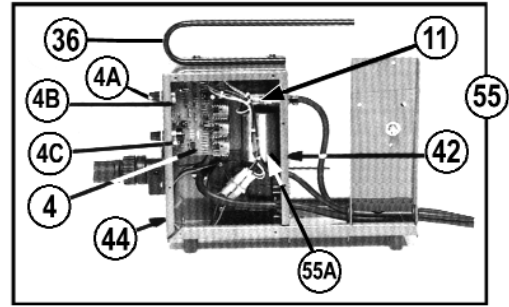


PARTS LIST FOR Model POWERMIG 3500



Issue Date:- 18/12/03
Issue No :- 3



PARTS IN BOLD TYPE INDICATE ASSEMBLIES. FOR A FURTHER BREAKDOWN OF COMPONENTS CONTACT YOUR LOCAL SEALEY DEALER (N/S = NOT SHOWN)

Sole UK Distributor
Sealey Group,
Bury St. Edmunds, Suffolk.

01284 757500

01284 703534

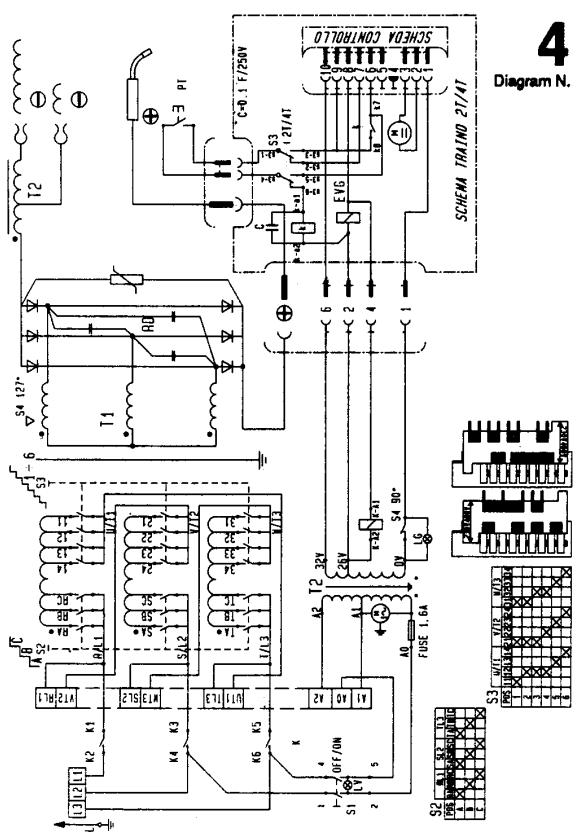
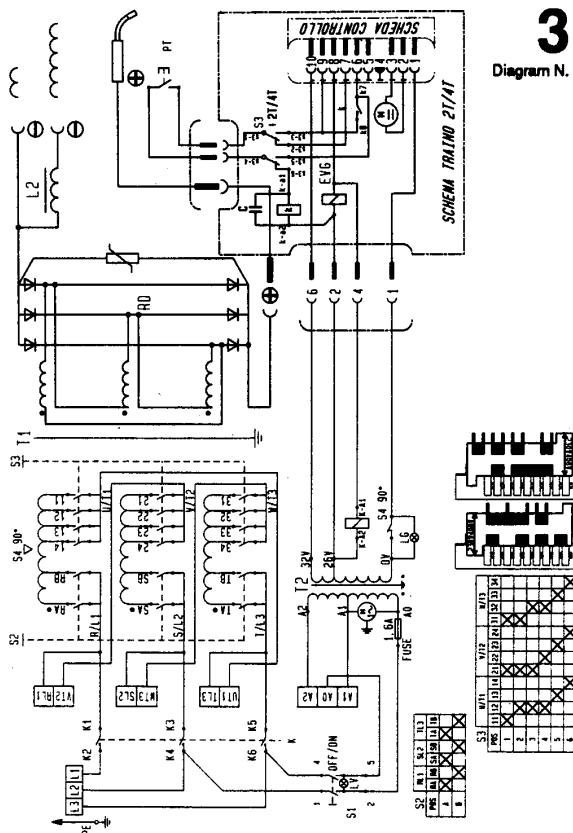
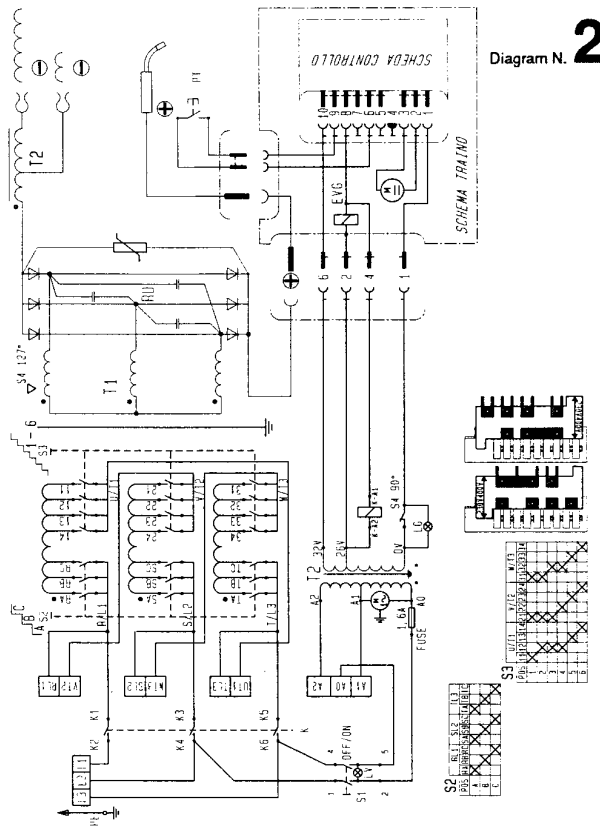
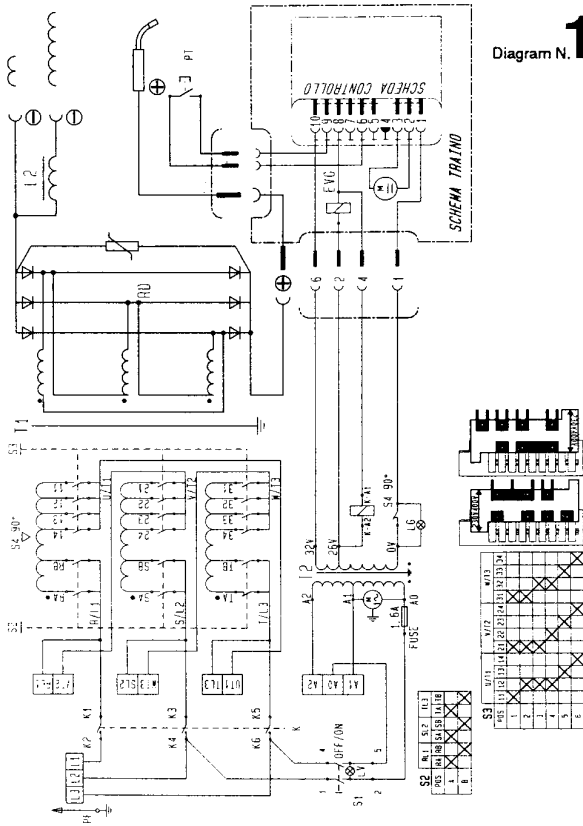
E-mail: sales@sealey.co.uk

NOTE: It is our policy to continually improve products and as such we reserve the right to alter data, specifications and component parts without prior notice.

IMPORTANT: No liability is accepted for incorrect use of product. **WARRANTY:** Guarantee is 12 months from purchase date, proof of which will be required for any claim. **INFORMATION:** Call us for a copy of our latest catalogue on 01284 757525 and leave your full name and address including your postcode.

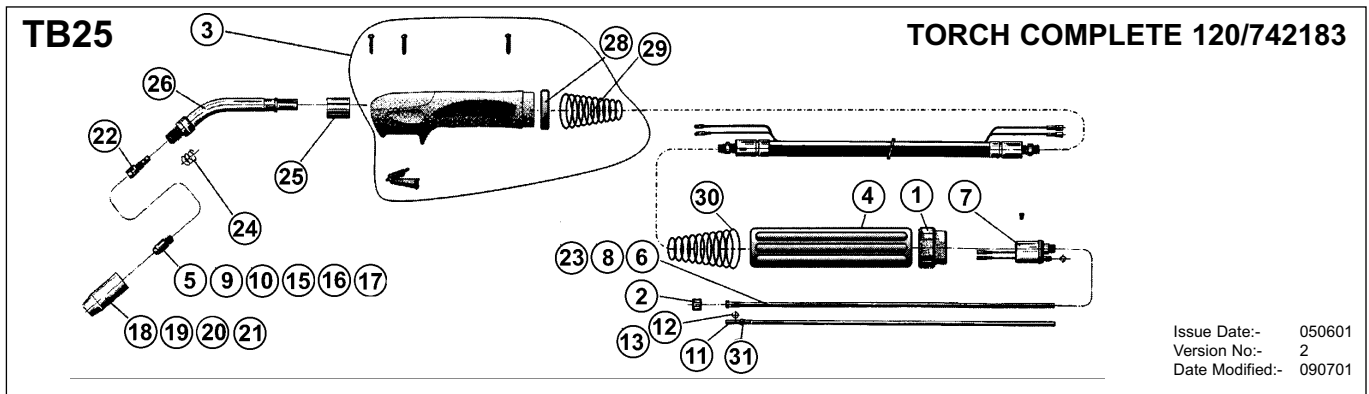
ITEM	PART NO	DESCRIPTION
1	120/112165	VOLTAGE SELECTION CARD
2	120/112170	RECTIFIER (PTS M211)
3	120/112432	USE 120/112556 (REG. CARD)
4	120/112556	REGULATION CARD
4A	120/990328	KNOB
4B	120/112282	POTENTIOMETER 1K
4C	120/112283	POTENTIOMETER WITH SWITCH 10K
5	120/122058	KNOB FOR SWITCH
6	120/122132	THERMOSTAT
7	120/122381	SWITCH, GREEN ROCKER
8	120/122407	FUSE, 1 Amp
9	120/122479	CONTACTOR
10	120/122594	LAMP, YELLOW
11	120/122682	ELECTRO-VALVE
12	120/122725	USE 120/122381 (SWITCH)
13	120/122801	SWITCH, A1600
14	120/152083	MOTOR, FAN
15	120/152113	FAN BLADE
16	120/164614	REACTANCE
17	120/164991	TRANSFORMER, AUX 240/415V
18	120/164622	TRANSFORMER 240/415V
19	120/312105	TORCH CONNECTION PROTECTION
20	120/312137	KNOB
21	120/322081	SPINDLE, SLEEVE/SPACER TYPE
22	120/322180	SPACER COLLAR
23	120/322187	CASTOR WHEEL COMPLETE
24	120/322189	WHEEL, FIXED
25	120/322190	CAP, WHEEL
26	120/322248	HANDLE SUPPRT BLOCK - RIGHT
27	120/322249	HANDLE SUPPORT BLOCK - LEFT
28	120/422981	AXLE, WHEEL
29	120/432102	BULL NOSE ADAPTOR (NOT SHOWN)
30	120/452057	SPRING
31	120/644443	REAR PANEL - BLACK
32	120/644445	DIAPHRAGM - BLACK
33	120/644446	BOTTLE SUPPORT - BLACK
34	120/644447	BASE TROLLEY - BLACK
35	120/644448	HANDLE - BLACK
36	120/644449	HANDLE - WIRE DRIVE
37	120/647948	FRONT PANEL PM3500
38	120/644948	CHASSIS - BLACK
39	120/650284	SIDE PANEL
40	120/650286	TOP COVER
41	120/650288	CHASSIS-WIRE DRIVE
42	120/650289	REAR PANEL-WIRE DRIVE
43	120/650291	SIDE PANEL - WIRE DRIVE
44	120/650587	FRONT PANEL - WIRE DRIVE
45	120/655562	SIDE PANEL
46	120/655563	DOOR
47	120/712031	EARTH CLAMP
48	120/712036	DINSE SOCKET
49	120/712040	DINSE PLUG
50	120/712111	SOCKET, DINSE, PANEL (BEHIND DOOR)
51	120/722113	FEED ROLLER 1.0-1.2 STEEL
51A	120/722113	FEED ROLLER 0.6-0.8 STEEL
52	120/722309	USE REG/MTHD (REGULATOR)
53	120/722679	USE 120/742183 TORCH
54	120/723067	TORCH CONNECTOR,"EURO"TYPE
55	120/806013	PORTABLE WIRE DRIVE ASSY
55A	120/153028	WIRE FEED MOTOR (ELECTROLUX)
55B	120/232128	WOODRUFF KEY
55C	120/723068	WIRE TENSION ASSEMBLY
55D	120/722123	COUNTER ROLLER ARM ASSEMBLY
55E	120/722115	FEED ROLLER RETAINING SCREW
55F	120/990264	SPINDLE KIT
56	120/990261	SOCKET, MOVABLE CONTROL (BEHIND DOOR)
57	120/802279	KIT, ALUMINIUM (NOT SHOWN)

In order to find the diagram corresponding to your model, check the last number "X" of the serial number (N.0000/X) printed on front panel



NOTE: It is our policy to continually improve products and as such we reserve the right to alter data, specifications and component parts without prior notice.
IMPORTANT: No liability is accepted for incorrect use of product. **WARRANTY:** Guarantee is 12 months from purchase date, proof of which will be required for any claim. **INFORMATION:** Call us for a copy of our latest catalogue on 01284 757525 and leave your full name and address including your postcode.

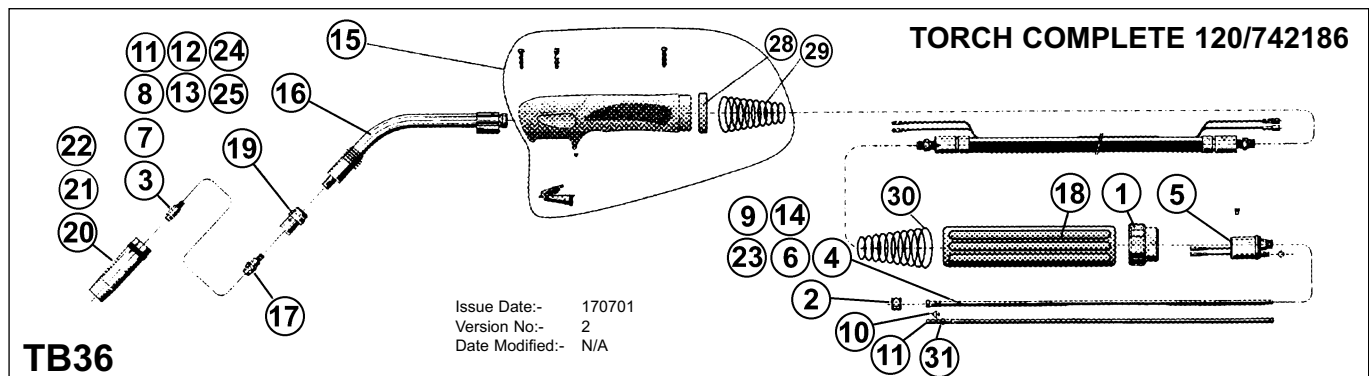
PARTS LIST FOR POWERMIG TORCHES Models 2500, 2750, 3500 only



ITEM	PART NO.	DESCRIPTION	ITEM	PART NO.	DESCRIPTION
1	120/722007	RINGNUT	17	120/722682	CONTACT TIP 1.2mm (AF1)
2	120/722013	NUT,LINER	18	120/722684	NOZZLE, CYLINDRICAL TB25 (AF1)
3	120/742170	HANDLE COMPLETE	19	120/722685	NOZZLE, CONICAL TB25
4	120/742175	GUN PLUG HOUSING	20	120/722686	NOZZLE, THIN HEADED TB25
5	120/722415	CONTACT TIP 0.6mm (AF1)	21	120/722687	NOZZLE, SPOT WELDING TB25
6	120/722437	LINER,T, 0.6-0.8 3m STEEL	22	120/722688	DIFFUSER, GAS (AF1)
7	120/722441	TERMINATION CONNECTION	23	120/722689	LINER,T, 1.0-1.2mm 3m STEEL
8	120/722516	LINER, RED 1.0-1.2mm 3m ALLUMINIUM	24	120/722690	SPRING, NOZZLE RETAINER (AF1)
9	120/722552	CONTACT TIP 1.0mm ALLY (AF1)	25	120/722693	INSULATING BLOCK,TORCH PART
10	120/722553	CONTACT TIP 1.2mm ALLY (AF1)	26	120/722696	LANCE
11	120/722600	LOCKING TEFLON GUIDE WIRE TUBE	28	120/742171	RING NUT
12	120/722601	O-RING 3.5x1.5	29	120/742173	SPRING
13	120/722606	O-RING 4x1	30	120/742174	SPRING
15	120/722680	CONTACT TIP 0.8mm (AF1)	31	120/742598	WIRE GUIDE NIPPLE
16	120/722681	CONTACT TIP 1.0mm (AF1)			

PARTS LIST FOR POWERMIG TORCH

Model 4500 only



ITEM	PART NO.	DESCRIPTION	ITEM	PART NO.	DESCRIPTION
1	120/722007	RINGNUT	17	120/722789	TIP ADAPTOR M6 (AF1)
2	120/722013	NUT, LINER RETAINER	18	120/722790	FRONT SOCKET/SLEEVE
3	120/722415	CONTACT TIP 0.6mm (AF1)	19	120/722791	CERAMIC DIFFUSER (AF1)
4	120/722437	LINER,T, 0.6-0.8 3m STEEL	20	120/722792	NOZZLE, CONICAL TB36 (AF1)
5	120/722441	TERMINATION CONNECTION	21	120/722793	NOZZLE, THIN HEADED TB36
6	120/722516	LINER, RED 1.0-1.2mm 3m ALLUMINIUM	22	120/722794	NOZZLE, SPOT WELDING TB36
7	120/722552	CONTACT TIP 1.0mm ALLY (AF1)	23	120/722795	LINER,T, 1.2-1.6mm 3m STEEL
8	120/722553	CONTACT TIP 1.2mm ALLY (AF1)	24	120/722797	CONTACT TIP 1.6 (AF1)
9	120/722597	LINER,T, 1.6-2.0mm 3m ALLY	25	120/722818	CONTACT TIP 1.6 ALLY (AF1)
10	120/722606	O-RING 4x1	26	120/722819	ADAPTOR GUARD
11	120/722680	CONTACT TIP 0.8mm (AF1)	27	120/722279	KIT, ALUMINIUM
12	120/722681	CONTACT TIP 1.0mm (AF1)	28	120/742138	RING NUT
13	120/722682	CONTACT TIP 1.2mm (AF1)	29	120/742173	SPRING
14	120/722689	LINER,T, 1.0-1.2mm 3m STEEL	30	120/742174	SPRING
15	120/742170	TORCH HANDLE COMPLETE	31	120/722598	WIRE FEED NIPPLE
16	120/722788	LANCE			

NOTE: It is our policy to continually improve products and as such we reserve the right to alter data, specifications and component parts without prior notice.

IMPORTANT: No liability is accepted for incorrect use of product. **WARRANTY:** Guarantee is 12 months from purchase date, proof of which will be required for any claim. **INFORMATION:** Call us for a copy of our latest catalogue on 01284 757525 and leave your full name and address including your postcode.