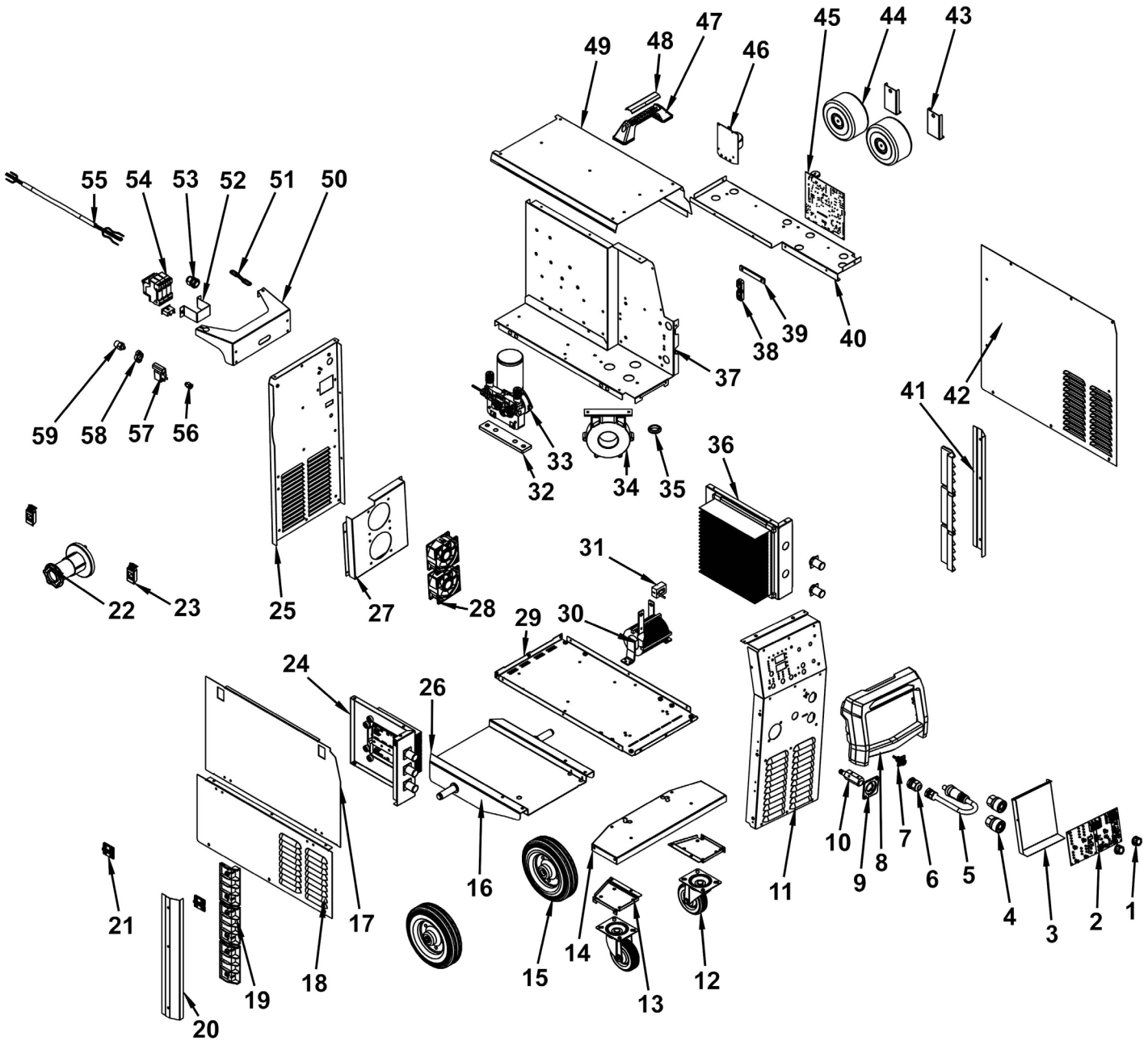


Parts Information:
**300A Professional Gas/Gasless MIG/
 MMA/TIG Inverter Welder 415V 3ph
 Model No: POWERMIG300i**



Item	Part No.	Description
1	POWERMIG300I-01	Potentiometer Knob
2	POWERMIG300I-02	Control Panel PCB
3	POWERMIG300I-03	Control Panel Protector
4	POWERMIG300I-04	Quick Connector
5	POWERMIG300I-05	Polarity Conversation Ccable

Item	Part No.	Description
6	POWERMIG300I-06	Cable Grip
7	POWERMIG300I-07	Power Socket (4-Pin)
8	POWERMIG300I-08	Front Plastic Panel
9	POWERMIG300I-09	Insulating Panel (Square)
10	POWERMIG300I-10	Torch Joint

NOTE: It is our policy to continually improve products and as such we reserve the right to alter data, specifications and component parts without prior notice. There may be alternative versions of this product, please contact us should you require this information.

IMPORTANT: No liability is accepted for incorrect use of product. Spare parts must be fitted by a competent person

WARRANTY: Guarantee is 12 months from purchase date, proof of which will be required for any claim.



Parts Information:
**300A Professional Gas/Gasless MIG/
MMA/TIG Inverter Welder 415V 3ph
Model No: POWERMIG300i**

Item	Part No.	Description
11	POWERMIG300I-11	Front Panel
12	POWERMIG300I-12	Swivel Castor Wheel
13	POWERMIG300I-13	Swivel Castor Wheel Support
14	POWERMIG300I-14	Front Fixed Wheel Support
15	POWERMIG300I-15	Front Fixed Wheel
16	POWERMIG300I-16	Gas Bottle Support Rack
17	POWERMIG300I-17	Upper Door Panel, Right Side
18	POWERMIG300I-18	Lower Door Panel, Right Side
19	POWERMIG300I-19	Front Panel Trim Strip
20	POWERMIG300I-20	Right Trim
21	POWERMIG300I-21	Door Hinge
22	POWERMIG300I-22	Spindle Holder
23	POWERMIG300I-23	Door Latch
24	POWERMIG300I-24	Radiator Rectifier
25	POWERMIG300I-25	Rear Panel
26	POWERMIG300I-26	Gas Cylinder Tray
27	POWERMIG300I-27	Fan Support
28	POWERMIG300I-28	Fan
29	POWERMIG300I-29	Bottom Panel
30	POWERMIG300I-30	Inductance
31	POWERMIG300I-31	Sensor
32	POWERMIG300I-32	Wire Feed Insulation Board
33	POWERMIG300I-33	Wire Feed Motor
34	POWERMIG300I-34	Transformer
35	POWERMIG300I-35	Bushing Ring
36	POWERMIG300I-36	Inverter
37	POWERMIG300I-37	Middle Panel

Item	Part No.	Description
38	POWERMIG300I-38	Low Pressure Wire Plate
39	POWERMIG300I-39	Radiator Support Strip
40	POWERMIG300I-40	Beam
41	POWERMIG300I-41	Door Panel, Left Side
42	POWERMIG300I-42	Left Trim
43	POWERMIG300I-43	Transformer Support
44	POWERMIG300I-44	Assembled Fixing
45	POWERMIG300I-45	Control PCB
46	POWERMIG300I-46	EMC Panel
47	POWERMIG300I-47	Top Handle
48	POWERMIG300I-48	Top Handle Cover
49	POWERMIG300I-49	Top Panel
50	POWERMIG300I-50	Gas Bottle Support
51	POWERMIG300I-51	Gas Bottle Support Chain
52	POWERMIG300I-52	Circuit Breaker Bracket
53	POWERMIG300I-53	Cable Grip
54	POWERMIG300I-54	Circuit Breaker
55	POWERMIG300I-55	Power Cord
56	POWERMIG300I-56	Pneumatic Joint
57	POWERMIG300I-57	Gas Valve
58	POWERMIG300I-58	Air Connection Ring
59	POWERMIG300I-59	Valve Connection
--	POWERMIG300I-60	Power Cable 2m (Not Shown)
--	POWERMIG300I-61	Earth Clamp Set 2m (Not Shown)
--	POWERMIG300I-62	Electrode Holder Set 2m (Not Shown)
--	POWERMIG300I-63	Mig Torch 3m (Not Shown)
--	POWERMIG300I-64	Gas Hose (Not Shown)

NOTE: It is our policy to continually improve products and as such we reserve the right to alter data, specifications and component parts without prior notice. There may be alternative versions of this product, please contact us should you require this information.

IMPORTANT: No liability is accepted for incorrect use of product. Spare parts must be fitted by a competent person

WARRANTY: Guarantee is 12 months from purchase date, proof of which will be required for any claim.

Sealey Group, Kempson Way, Suffolk Business Park, Bury St Edmunds, Suffolk. IP32 7AR



01284 757500



sales@sealey.co.uk



www.sealey.co.uk