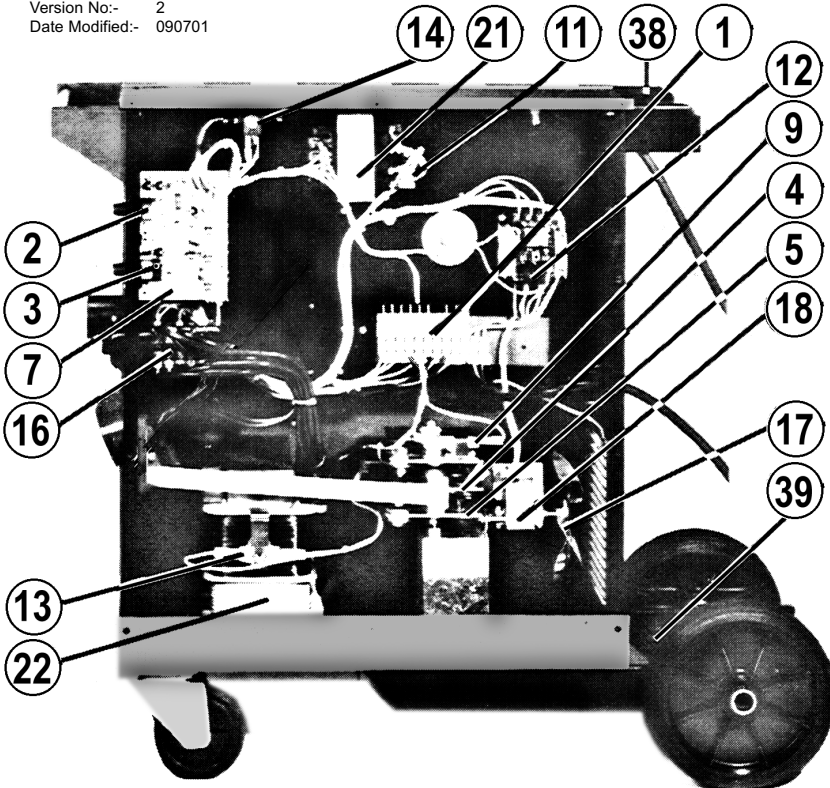


Issue Date:- 050601
Version No:- 2
Date Modified:- 090701



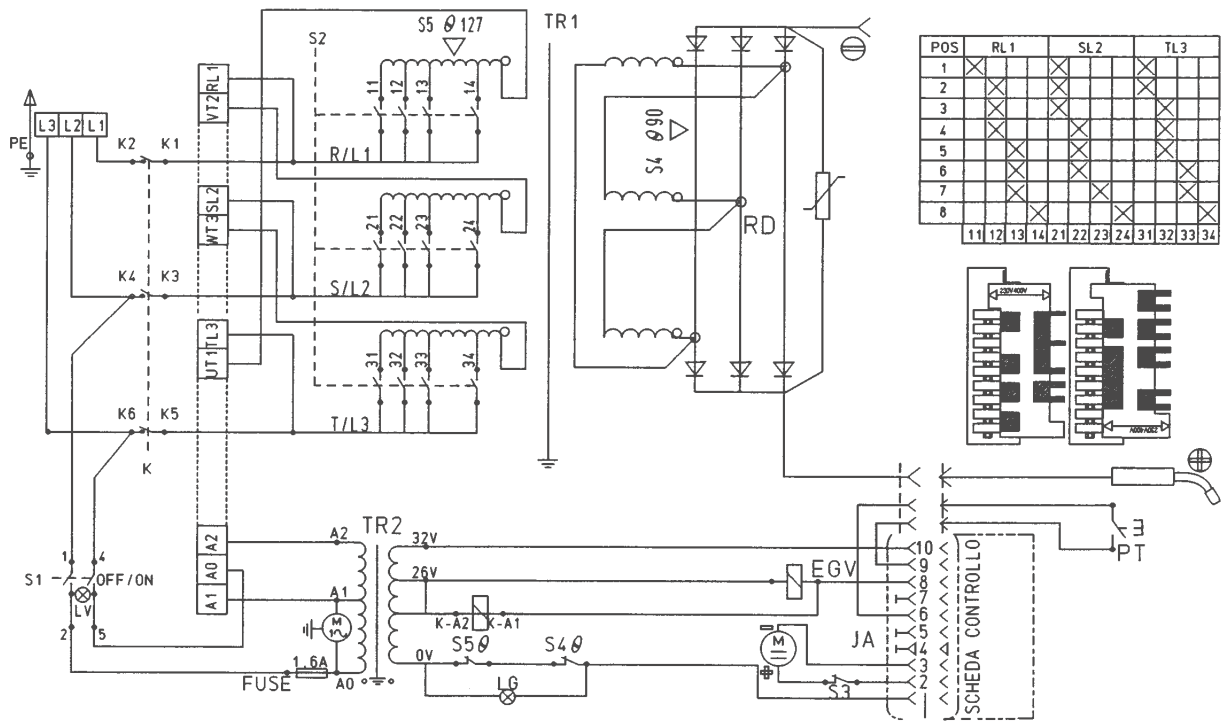
ITEM	PART NO	DESCRIPTION
1	120/112165	VOLTAGE SELECTION CARD
2	120/112282	POTENTIOMETER 1K
3	120/112283	POTENTIOMETER 10K WITH SWITCH
4	120/112286	RECTIFIER PROTECTION
5	120/112315	RECTIFIER (LINEAR 220)
6	120/112432	USE 120/112556 (REG. CARD)
7	120/112556	REGULATION CARD
8	120/122058	KNOB FOR SWITCH
9	120/122132	THERMOSTAT
10	120/122381	SWITCH, GREEN ROCKER
11	120/122407	FUSE, 1 Amp
12	120/122459	CONTACTOR
13	120/122594	LAMP, YELLOW
14	120/122682	ELECTRO-VALVE
16	120/122827	SWITCH (SCH 0918/7938)
17	120/152054	BLADE, FAN
18	120/152112	USE 120/152110 (FAN MOTOR)
19	120/153028	WIRE FEED MOTOR (ELECTROLUX)
20	120/164134	REACTANCE (NOT INDICATED)
21	120/164991	TRANSFORMER, AUX 240/415V
22	120/164764	TRANSFORMER 240-415V
23	120/232128	WOODRUFF KEY
24	120/312105	TORCH CONNECTION PROTECTION
25	120/312137	KNOB
26	120/322081	SPINDLE, SLEEVE/SPACER TYPE
27	120/322180	SPACER COLLAR
28	120/322188	WHEEL FIXED
29	120/322246	WHEEL
30	120/322248	HANDLE SUPPRT BLOCK - RIGHT
31	120/322249	HANDLE SUPPORT BLOCK - LEFT
32	120/422969	BRACKET, CASTER
33	120/422981	AXLE, WHEEL
34	120/432102	BULL NOSE ADAPTOR (NOT SHOWN)
35	120/452057	SPRING
36	120/644544	HANDLE
37	120/644604	PANEL, BACK
38	120/644606	BRACKET
39	120/644612	HOLDER, BOTTLE
40	120/644613	DIVIDER, CENTER (NOT SHOWN)
41	120/647947	FRONT PANEL PM2750
42	120/650329	PANEL, RIGHT SIDE
43	120/650331	COVER, TOP
44	120/650340	BOTTOM
45	120/655560	SIDE PANEL
46	120/655561	DOOR
47	120/712031	EARTH CLAMP
48	120/712036	DINSE SOCKET
49	120/712040	DINSE PLUG
50	120/722112	FEED ROLLER 0.6-0.8mm STEEL
51	120/722113	FEED ROLLER 1.0-1.2 STEEL
52	120/722115	SCREW, FEED ROLLER RETAINER
53	120/722119	USE REG/MT (REGULATOR) N/S
54	120/722123	COUNTER ROLLER ARM ASSY
55	120/722679	USE 120/742183 TORCH
56	120/723067	TORCH CONNECTOR, "EURO" TYPE
57	120/723068	WIRE TENSION ASSY
58	120/802279	KIT, ALUMINIUM (NOT SHOWN)
59	120/990097	GUIDE HOSE (NOT SHOWN)
60	120/990264	SPINDLE KIT
61	120/990328	KNOB
62	120/990351	WIRE FEED UNIT (MOTOR+TENSION) ASSY

PARTS IN BOLD TYPE INDICATE ASSEMBLIES. FOR A FURTHER BREAKDOWN OF COMPONENTS CONTACT YOUR LOCAL SEALEY DEALER (N/S = NOT SHOWN)

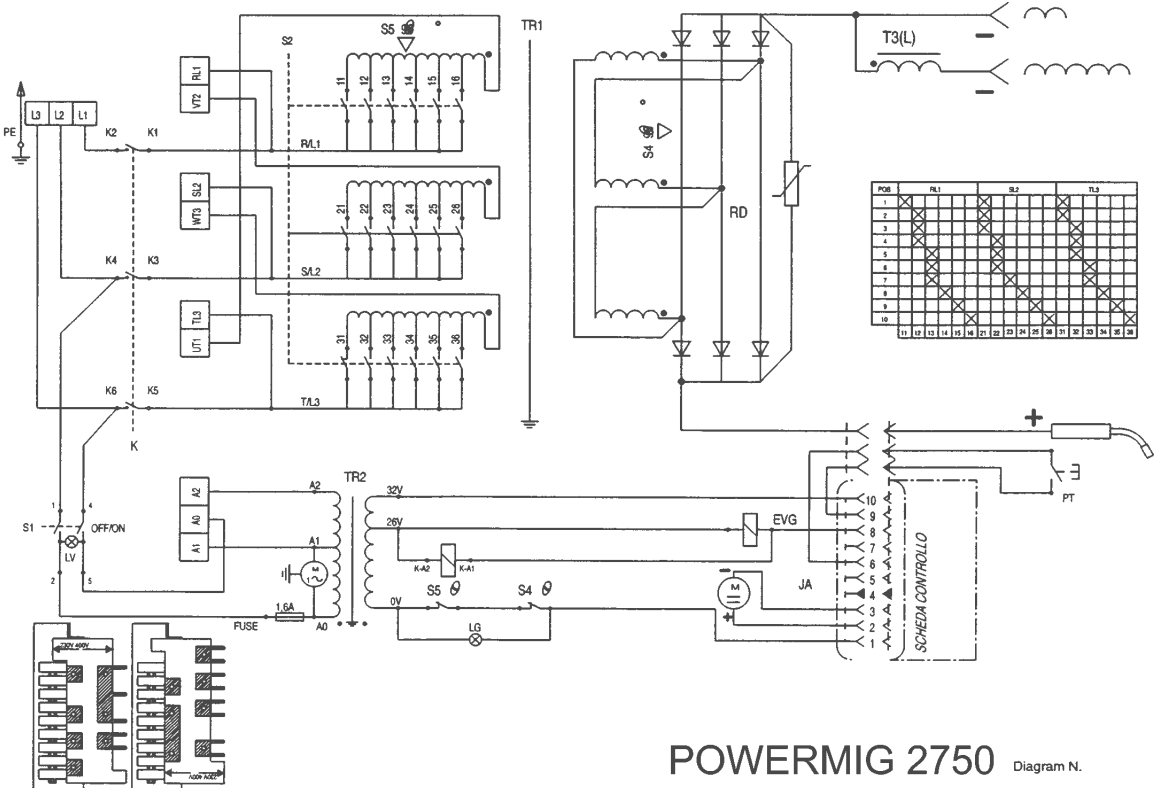
NOTE: It is our policy to continually improve products and as such we reserve the right to alter data, specifications and component parts without prior notice.
IMPORTANT: No liability is accepted for incorrect use of product. **WARRANTY:** Guarantee is 12 months from purchase date, proof of which will be required for any claim. **INFORMATION:** Call us for a copy of our latest catalogue on 01284 757525 and leave your full name and address including your postcode.

WIRING DIAGRAM FOR : POWERMIG 2750

In order to find the diagram corresponding to your model, check the last number "X" of the serial number (N.0000/X) printed on front panel



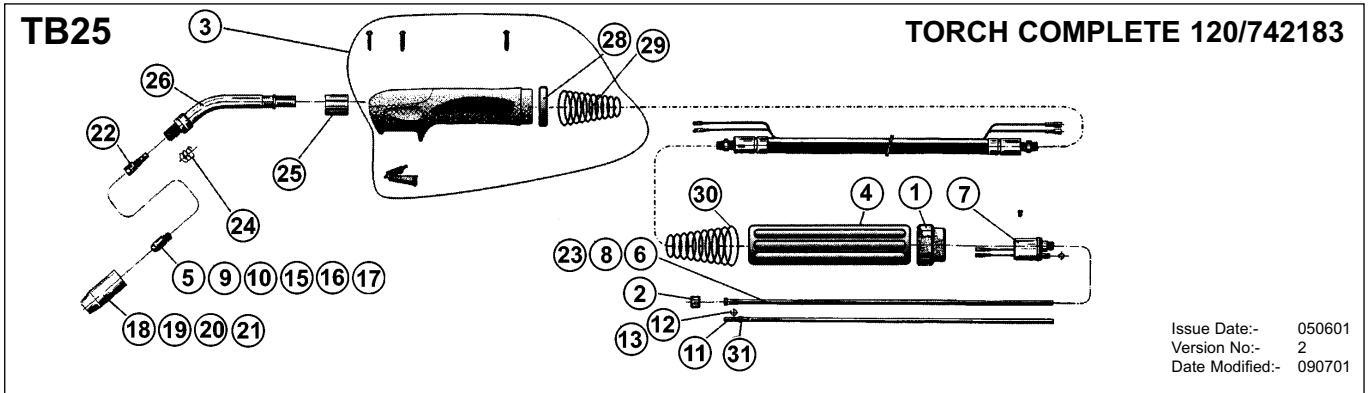
POWERMIG 2750 Diagram N. **2**



POWERMIG 2750 Diagram N. **3**

NOTE: It is our policy to continually improve products and as such we reserve the right to alter data, specifications and component parts without prior notice.
IMPORTANT: No liability is accepted for incorrect use of product. **WARRANTY:** Guarantee is 12 months from purchase date, proof of which will be required for any claim. **INFORMATION:** Call us for a copy of our latest catalogue on 01284 757525 and leave your full name and address including your postcode.

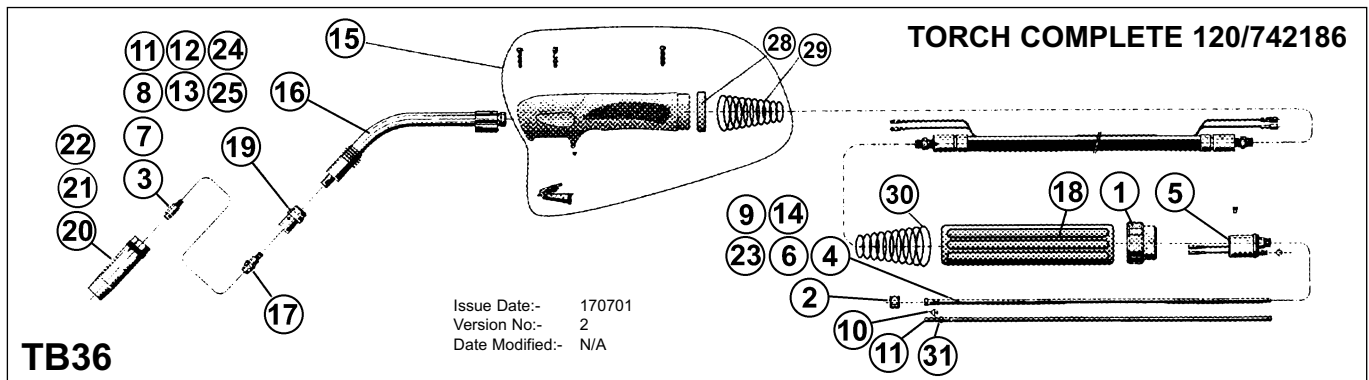
PARTS LIST FOR POWERMIG TORCHES Models 2500, 2750, 3500 only



ITEM	PART NO.	DESCRIPTION	ITEM	PART NO.	DESCRIPTION
1	120/722007	RINGNUT	17	120/722682	CONTACT TIP 1.2mm (AF1)
2	120/722013	NUT,LINER	18	120/722684	NOZZLE, CYLINDRICAL TB25 (AF1)
3	120/742170	HANDLE COMPLETE	19	120/722685	NOZZLE, CONICAL TB25
4	120/742175	GUN PLUG HOUSING	20	120/722686	NOZZLE, THIN HEADED TB25
5	120/722415	CONTACT TIP 0.6mm (AF1)	21	120/722687	NOZZLE, SPOT WELDING TB25
6	120/722437	LINER,T, 0.6-0.8 3m STEEL	22	120/722688	DIFFUSER, GAS (AF1)
7	120/722441	TERMINATION CONNECTION	23	120/722689	LINER,T, 1.0-1.2mm 3m STEEL
8	120/722516	LINER, RED 1.0-1.2mm 3m ALLUMINIUM	24	120/722690	SPRING, NOZZLE RETAINER (AF1)
9	120/722552	CONTACT TIP 1.0mm ALLY (AF1)	25	120/722693	INSULATING BLOCK,TORCH PART
10	120/722553	CONTACT TIP 1.2mm ALLY (AF1)	26	120/722696	LANCE
11	120/722600	LOCKING TEFLON GUIDE WIRE TUBE	28	120/742171	RING NUT
12	120/722601	O-RING 3.5x1.5	29	120/742173	SPRING
13	120/722606	O-RING 4x1	30	120/742174	SPRING
15	120/722680	CONTACT TIP 0.8mm (AF1)	31	120/742598	WIRE GUIDE NIPPLE
16	120/722681	CONTACT TIP 1.0mm (AF1)			

PARTS LIST FOR POWERMIG TORCH

Model 4500 only



ITEM	PART NO.	DESCRIPTION	ITEM	PART NO.	DESCRIPTION
1	120/722007	RINGNUT	17	120/722789	TIP ADAPTOR M6 (AF1)
2	120/722013	NUT, LINER RETAINER	18	120/722790	FRONT SOCKET/SLEEVE
3	120/722415	CONTACT TIP 0.6mm (AF1)	19	120/722791	CERAMIC DIFFUSER (AF1)
4	120/722437	LINER,T, 0.6-0.8 3m STEEL	20	120/722792	NOZZLE, CONICAL TB36 (AF1)
5	120/722441	TERMINATION CONNECTION	21	120/722793	NOZZLE, THIN HEADED TB36
6	120/722516	LINER, RED 1.0-1.2mm 3m ALLUMINIUM	22	120/722794	NOZZLE, SPOT WELDING TB36
7	120/722552	CONTACT TIP 1.0mm ALLY (AF1)	23	120/722795	LINER,T, 1.2-1.6mm 3m STEEL
8	120/722553	CONTACT TIP 1.2mm ALLY (AF1)	24	120/722797	CONTACT TIP 1.6 (AF1)
9	120/722597	LINER,T, 1.6-2.0mm 3m ALLY	25	120/722818	CONTACT TIP 1.6 ALLY (AF1)
10	120/722606	O-RING 4x1	26	120/722819	ADAPTOR GUARD
11	120/722680	CONTACT TIP 0.8mm (AF1)	27	120/722279	KIT, ALUMINIUM
12	120/722681	CONTACT TIP 1.0mm (AF1)	28	120/742138	RING NUT
13	120/722682	CONTACT TIP 1.2mm (AF1)	29	120/742173	SPRING
14	120/722689	LINER,T, 1.0-1.2mm 3m STEEL	30	120/742174	SPRING
15	120/742170	TORCH HANDLE COMPLETE	31	120/722598	WIRE FEED NIPPLE
16	120/722788	LANCE			

NOTE: It is our policy to continually improve products and as such we reserve the right to alter data, specifications and component parts without prior notice.
IMPORTANT: No liability is accepted for incorrect use of product. **WARRANTY:** Guarantee is 12 months from purchase date, proof of which will be required for any claim. **INFORMATION:** Call us for a copy of our latest catalogue on 01284 757525 and leave your full name and address including your postcode.