

Issue Date:- 050601
Version No:- 2
Date Modified:- 090701

PARTS IN BOLD TYPE INDICATE ASSEMBLIES. FOR A FURTHER BREAKDOWN OF COMPONENTS CONTACT YOUR LOCAL SEALEY DEALER (N/S = NOT SHOWN)

Sole UK Distributor
Sealey Group,
Bury St. Edmunds, Suffolk.

01284 757500

01284 703534

E-mail: sales@sealey.co.uk

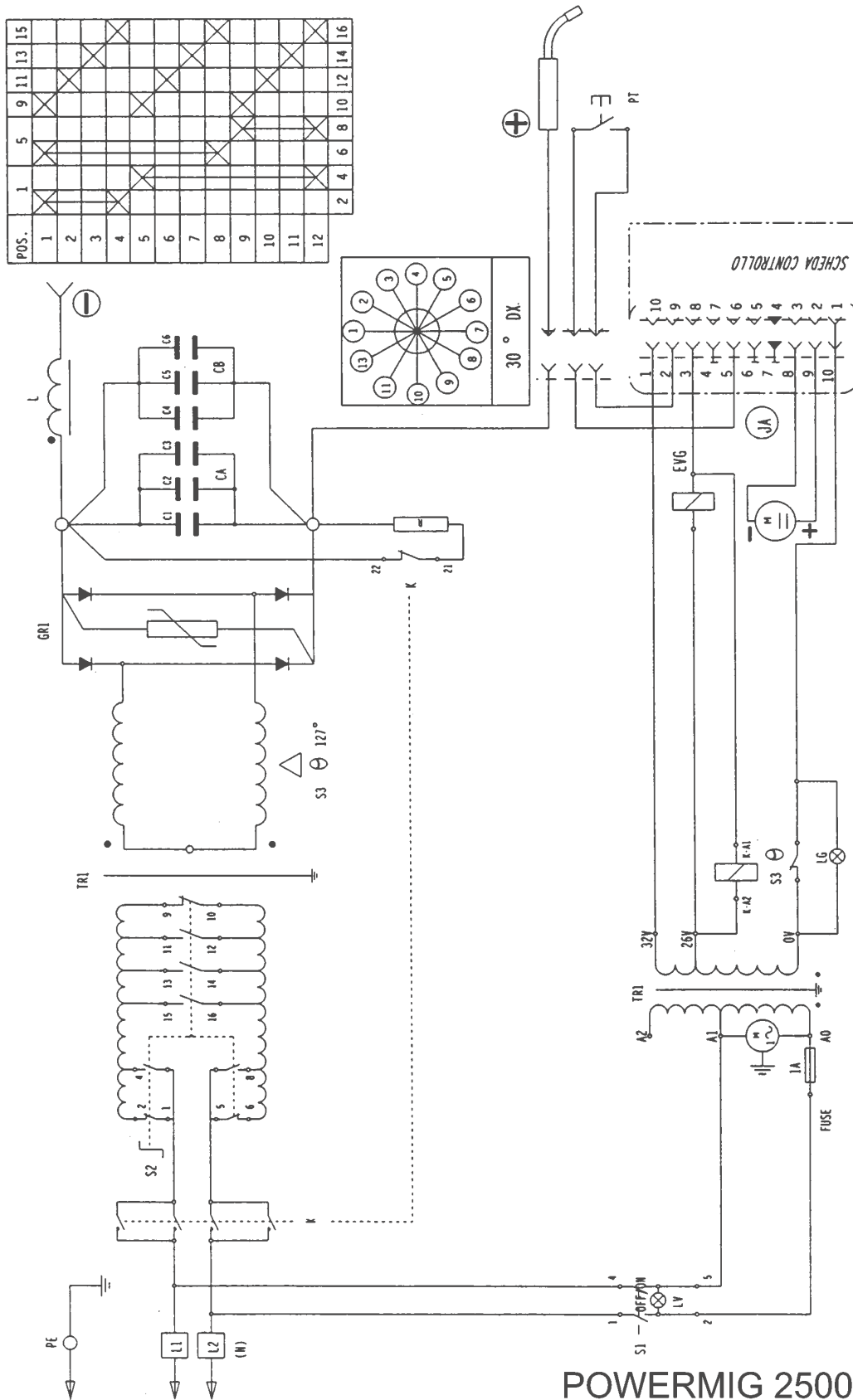
NOTE: It is our policy to continually improve products and as such we reserve the right to alter data, specifications and component parts without prior notice.

IMPORTANT: No liability is accepted for incorrect use of product. **WARRANTY:** Guarantee is 12 months from purchase date, proof of which will be required for any claim. **INFORMATION:** Call us for a copy of our latest catalogue on 01284 757525 and leave your full name and address including your postcode.

ITEM	PART NO	DESCRIPTION
1	120/112061	RECTIFIER (PMS-24/4/2)
1A	120/112286	RECTIFIER PROTECTION
2	120/112205	CONDENSOR 15000NF
3	120/112432	USE 120/112556 (REG. CARD)
4	120/112556	REGULATION CARD
4A	120/112282	POTENTIOMETER 1K
4B	120/112283	POTENTIOMETER 10K C/W SWITCH
4C	120/990328	KNOB
5	120/122006	SWITCH (SCH 0408/8160)
5A	120/122058	KNOB FOR SWITCH
6	120/122381	SWITCH, GREEN ROCKER
7	120/122407	FUSE, 1 Amp
8	120/122459	CONTACTOR
9	120/122525	THERMOSTAT
10	120/122594	LAMP, YELLOW
11	120/122682	ELECTRO-VALVE (PARTS N/S)
12	120/152110	MOTOR, FAN
12A	120/152054	BLADE, FAN
13	120/153028	WIRE FEED MOTOR (ELECTROLUX)
13A	120/232128	WOODRUFF KEY
14	120/164020	TRANSFORMER, AUX 230-400V
15	120/164370	TRANSFORMER 230V "261"
16	120/164991	REACTANCE
17	120/312105	TORCH CONNECTION PROTECTION
18	120/312137	KNOB
19	120/322081	SPINDLE, SLEEVE/SPACER TYPE
20	120/322180	SPACER COLLAR
21	120/322188	WHEEL FIXED
22	120/322246	WHEEL
23	120/322248	HANDLE SUPPRT BLOCK - RIGHT
24	120/322249	HANDLE SUPPORT BLOCK - LEFT
25	120/422969	BRACKET, CASTER
26	120/422981	AXLE, WHEEL
27	120/452057	SPRING
28	120/644544	HANDLE
29	120/644604	PANEL, BACK
30	120/644606	BRACKET (NOT SHOWN)
31	120/644612	HOLDER, BOTTLE
32	120/644613	DIVIDER, CENTER (NOT SHOWN)
33	120/646860	FRONT PANEL
34	120/650329	PANEL, RIGHT SIDE
35	120/650331	COVER, TOP
36	120/650340	BOTTOM
37	120/650412	DOOR
38	120/650413	SIDE PANEL, LEFT
39	120/712031	EARTH CLAMP
40	120/712035	DINSE SOCKET
41	120/712039	DINSE PLUG
42	120/722119	USE REG/MT (REGULATOR) N/S
43	120/722679	USE 120/742183 TORCH
44	120/723067	TORCH CONNECTOR,"EURO"TYPE
45	120/723068	WIRE TENSION ASSY
N/S	120/722112	FEED ROLLER 0.6 - 0.8MM STEEL
N/S	120/722113	FEED ROLLER 1.0 - 1.2MM STEEL
N/S	120/722115	SCREW, FEED ROLLER RETAINING
N/S	120/722123	COUNTER ROLLER ARM ASSEM.
N/S	120/722127	FEED ROLLER 1.0 - 1.2 ALLY
N/S	120/722128	FEED ROLLER 1.2 - 1.6 ALLY
N/S	120/722876	WIRE GUIDE INLET
N/S	120/723069	GEAR ADAPTOR KIT 0.8-1.0 & 1.2-1.6
N/S	120/990097	GUIDE HOSE
46	LS/16	LEAD (SINGLE) 16mm 3m c/w EYES
47	120/112605	BALLAST RESISTOR (NOT SHOWN)

WIRING DIAGRAM FOR : POWERMIG 2500

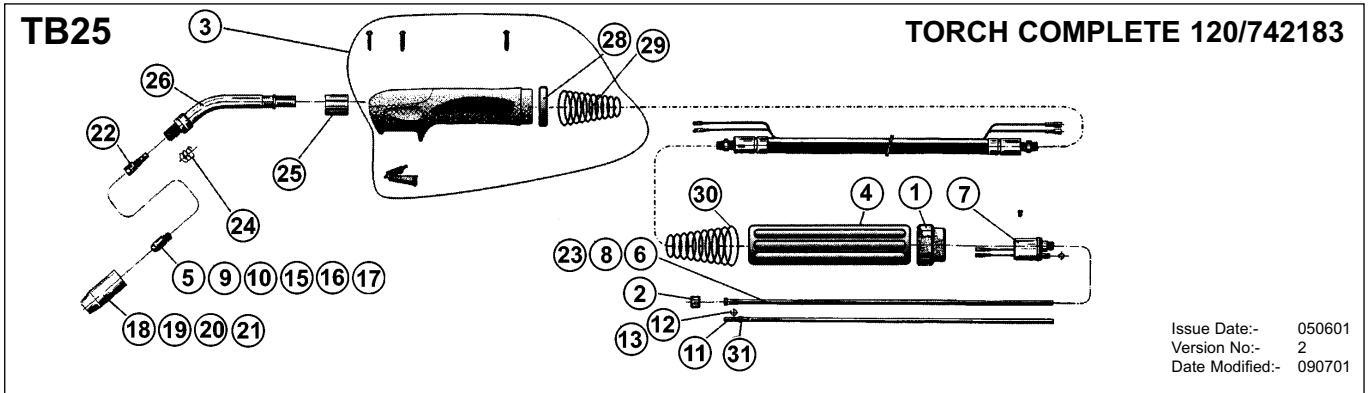
In order to find the diagram corresponding to your model, check the last number "X" of the serial number (N.0000/X) printed on front panel



POWERMIG 2500

NOTE: It is our policy to continually improve products and as such we reserve the right to alter data, specifications and component parts without prior notice.
IMPORTANT: No liability is accepted for incorrect use of product. **WARRANTY:** Guarantee is 12 months from purchase date, proof of which will be required for any claim. **INFORMATION:** Call us for a copy of our latest catalogue on 01284 757525 and leave your full name and address including your postcode.

PARTS LIST FOR POWERMIG TORCHES Models 2500, 2750, 3500 only

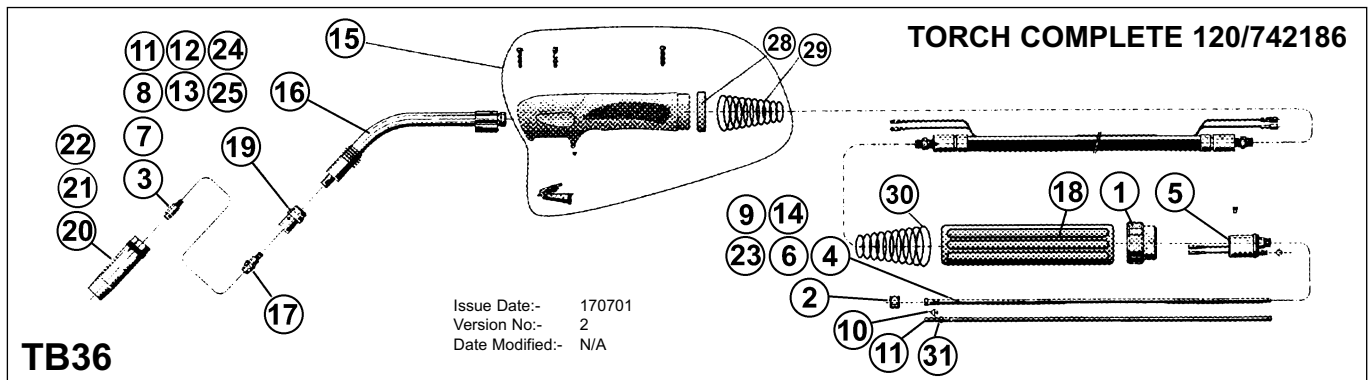


Issue Date:- 050601
Version No:- 2
Date Modified:- 090701

ITEM	PART NO.	DESCRIPTION	ITEM	PART NO.	DESCRIPTION
1	120/722007	RINGNUT	17	120/722682	CONTACT TIP 1.2mm (AF1)
2	120/722013	NUT,LINER	18	120/722684	NOZZLE, CYLINDRICAL TB25 (AF1)
3	120/742170	HANDLE COMPLETE	19	120/722685	NOZZLE, CONICAL TB25
4	120/742175	GUN PLUG HOUSING	20	120/722686	NOZZLE, THIN HEADED TB25
5	120/722415	CONTACT TIP 0.6mm (AF1)	21	120/722687	NOZZLE, SPOT WELDING TB25
6	120/722437	LINER,T, 0.6-0.8 3m STEEL	22	120/722688	DIFFUSER, GAS (AF1)
7	120/722441	TERMINATION CONNECTION	23	120/722689	LINER,T, 1.0-1.2mm 3m STEEL
8	120/722516	LINER, RED 1.0-1.2mm 3m ALLUMINIUM	24	120/722690	SPRING, NOZZLE RETAINER (AF1)
9	120/722552	CONTACT TIP 1.0mm ALLY (AF1)	25	120/722693	INSULATING BLOCK,TORCH PART
10	120/722553	CONTACT TIP 1.2mm ALLY (AF1)	26	120/722696	LANCE
11	120/722600	LOCKING TEFLON GUIDE WIRE TUBE	28	120/742171	RING NUT
12	120/722601	O-RING 3.5x1.5	29	120/742173	SPRING
13	120/722606	O-RING 4x1	30	120/742174	SPRING
15	120/722680	CONTACT TIP 0.8mm (AF1)	31	120/742598	WIRE GUIDE NIPPLE
16	120/722681	CONTACT TIP 1.0mm (AF1)			

PARTS LIST FOR POWERMIG TORCH

Model 4500 only



Issue Date:- 170701
Version No:- 2
Date Modified:- N/A

ITEM	PART NO.	DESCRIPTION	ITEM	PART NO.	DESCRIPTION
1	120/722007	RINGNUT	17	120/722789	TIP ADAPTOR M6 (AF1)
2	120/722013	NUT, LINER RETAINER	18	120/722790	FRONT SOCKET/SLEEVE
3	120/722415	CONTACT TIP 0.6mm (AF1)	19	120/722791	CERAMIC DIFFUSER (AF1)
4	120/722437	LINER,T, 0.6-0.8 3m STEEL	20	120/722792	NOZZLE, CONICAL TB36 (AF1)
5	120/722441	TERMINATION CONNECTION	21	120/722793	NOZZLE, THIN HEADED TB36
6	120/722516	LINER, RED 1.0-1.2mm 3m ALLUMINIUM	22	120/722794	NOZZLE, SPOT WELDING TB36
7	120/722552	CONTACT TIP 1.0mm ALLY (AF1)	23	120/722795	LINER,T, 1.2-1.6mm 3m STEEL
8	120/722553	CONTACT TIP 1.2mm ALLY (AF1)	24	120/722797	CONTACT TIP 1.6 (AF1)
9	120/722597	LINER,T, 1.6-2.0mm 3m ALLY	25	120/722818	CONTACT TIP 1.6 ALLY (AF1)
10	120/722606	O-RING 4x1	26	120/722819	ADAPTOR GUARD
11	120/722680	CONTACT TIP 0.8mm (AF1)	27	120/72279	KIT, ALUMINIUM
12	120/722681	CONTACT TIP 1.0mm (AF1)	28	120/742138	RING NUT
13	120/722682	CONTACT TIP 1.2mm (AF1)	29	120/742173	SPRING
14	120/722689	LINER,T, 1.0-1.2mm 3m STEEL	30	120/742174	SPRING
15	120/742170	TORCH HANDLE COMPLETE	31	120/722598	WIRE FEED NIPPLE
16	120/722788	LANCE			

NOTE: It is our policy to continually improve products and as such we reserve the right to alter data, specifications and component parts without prior notice.
IMPORTANT: No liability is accepted for incorrect use of product. **WARRANTY:** Guarantee is 12 months from purchase date, proof of which will be required for any claim. **INFORMATION:** Call us for a copy of our latest catalogue on 01284 757525 and leave your full name and address including your postcode.