



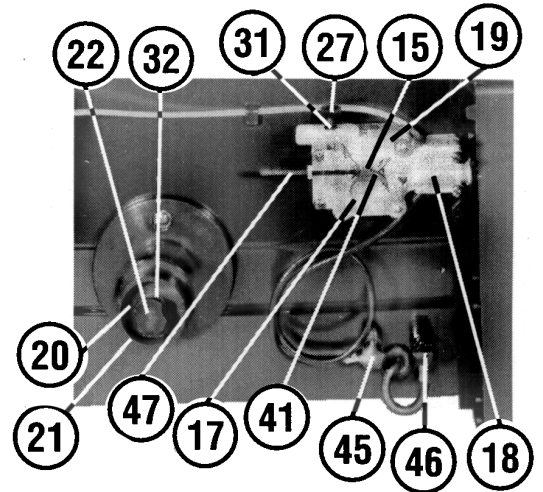
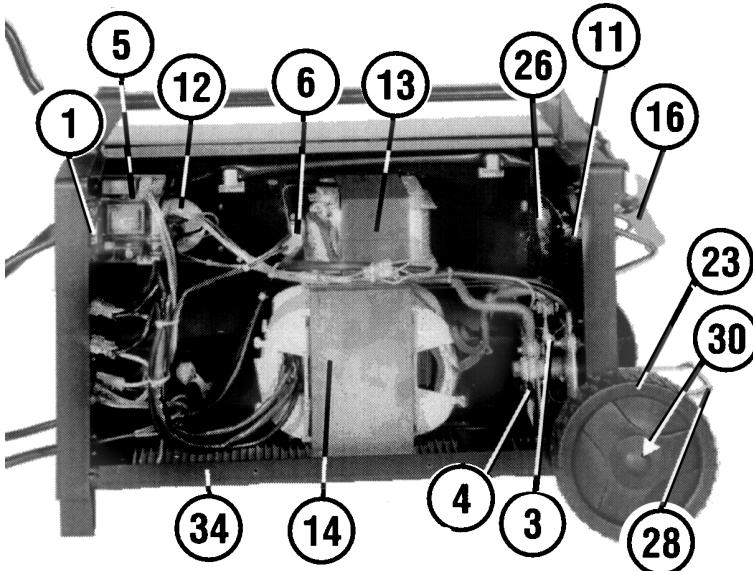
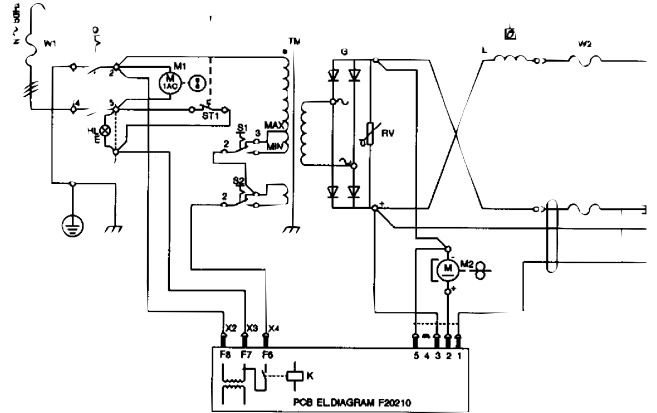
**PARTS LIST FOR
GASLESS MIG WELDERS
PMG135XT & PMG155XT**

Origin Date: 060696

Issue Date: 060696

Revision No: 1

Revision Date: 010100



Common Parts for Models PMG135XT & PMG155XT

| Item | Part No | Description | Item | Part No | Description |
|------|------------|-------------------------|------|------------|-----------------------|
| 1 | 120/112079 | potentiometer | 24 | 120/322443 | front panel |
| 2 | 120/112125 | potentiometer knob | 25 | 120/322447 | rear panel |
| 3 | 120/112185 | rectifier protection | 26 | 120/312026 | fan blade |
| 5 | 120/114182 | Regulation/control card | 27 | 120/422257 | wire feed knob |
| 6 | 120/122525 | thermostat | 28 | 120/422485 | bottle holder |
| 7 | 120/122400 | switch | 29 | 120/422487 | handle |
| 9 | LS/16 | work cable | 31 | 120/452022 | spring |
| 11 | 120/152080 | fan motor | 32 | 120/452065 | reel spring |
| 12 | 120/153023 | wire feed motor | 37 | 120/712045 | mask lens * |
| 13 | 120/164139 | reactance | 38 | 120/712139 | hammer-brush * |
| 15 | 120/232105 | pressure roller | 39 | 120/712001 | work clamp |
| 16 | 120/322104 | bottle belt | 40 | 120/712207 | mask * |
| 17 | 120/322126 | roll support | 41 | 120/722529 | wire feed roller |
| 18 | 120/322127 | torch fixing casing | 42 | 120/742402 | torch |
| 19 | 120/322128 | pressure roll bracket | 45 | 120/990072 | charging clamp, red |
| 20 | 120/322172 | spindle | 46 | 120/990073 | charging clamp, black |
| 21 | 120/322173 | reel ring nut | 47 | 120/990097 | gas hose |
| 22 | 120/322174 | reel handwheel | 48 | 120/990286 | gear kit * |
| 23 | 120/322193 | wheel | 49 | 120/990288 | reel kit * |

* Not illustrated.

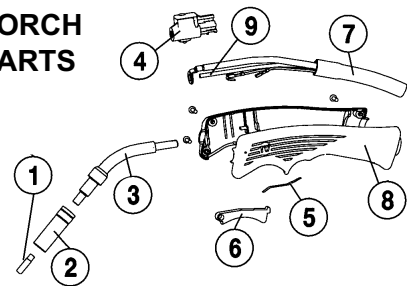
Model PMG135XT only

| Item | Part No | Description |
|------|------------|------------------|
| 4 | 120/112077 | rectifier |
| 8 | 120/112379 | switch |
| 14 | 120/164341 | transformer 230V |
| 30 | 120/422960 | wheel axle |
| 33 | 120/422497 | handle |
| 34 | 120/644065 | bottom |
| 35 | 120/650040 | door |
| 36 | 120/650004 | side panel |

Model PM155XT only

| Item | Part No | Description |
|------|------------|------------------|
| 4 | 120/112074 | rectifier |
| 8 | 120/122752 | switch |
| 14 | 120/164343 | transformer 230V |
| 30 | 120/422960 | wheel axle |
| 33 | 120/422509 | handle |
| 34 | 120/644066 | bottom |
| 35 | 120/650041 | door |
| 36 | 120/650005 | side panel |

TORCH PARTS

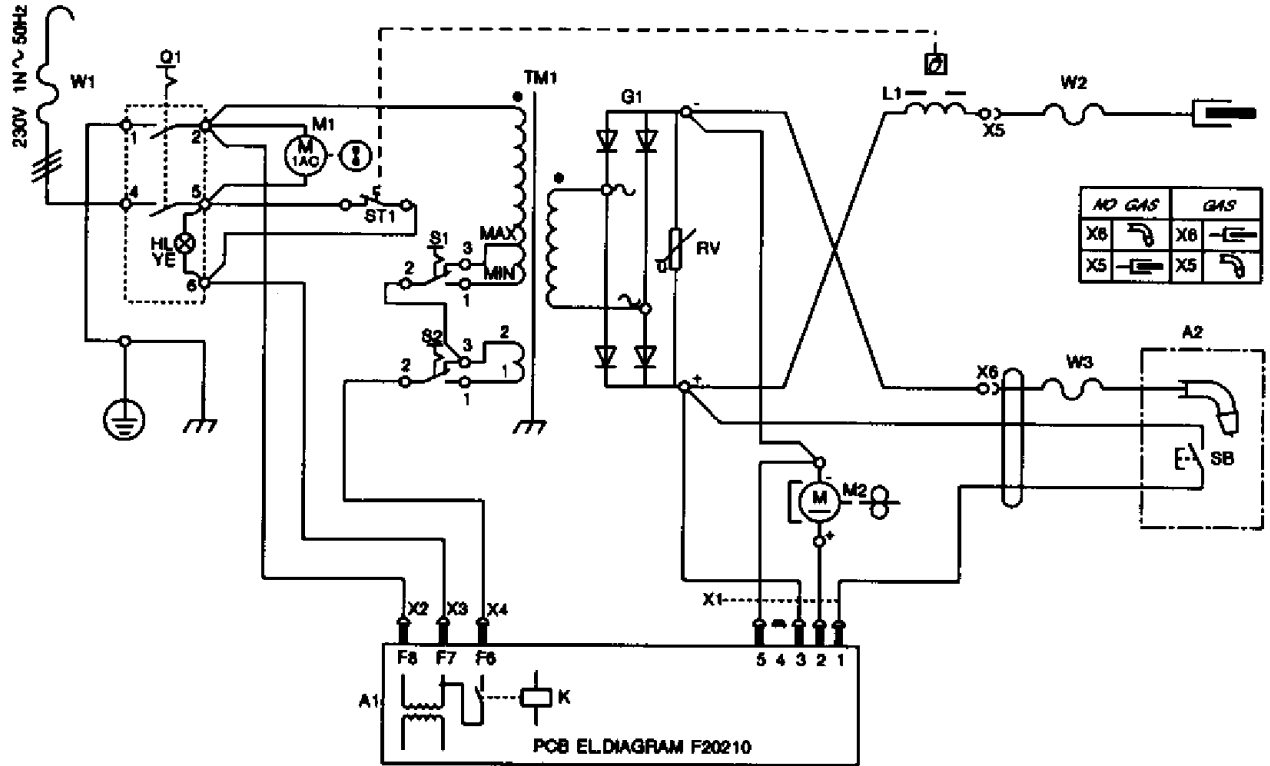


Common to PMG135XT & PMG155XT

| Item | Part No | Description |
|------|------------|-----------------------|
| 42 | 120/742402 | torch complete |
| T1 | 120/722552 | contact tip |
| T2 | 120/722149 | cylindrical nozzle |
| T3 | 120/990277 | insulated swan neck |
| T4 | 120/990464 | torch connection assy |
| T5 | 120/452087 | contact spring |
| T6 | 120/322295 | push button |
| T7 | 120/742414 | cable group |
| T8 | 120/990465 | complete handle |
| T9 | 120/722077 | wire guide hose |



PMG135XT



PMG155XT

