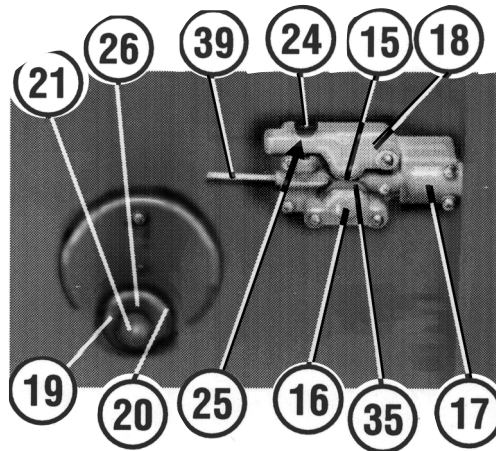
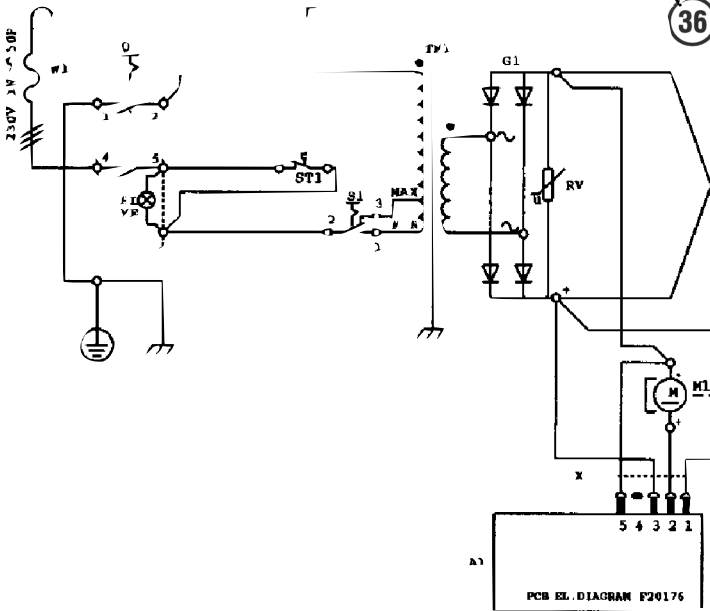
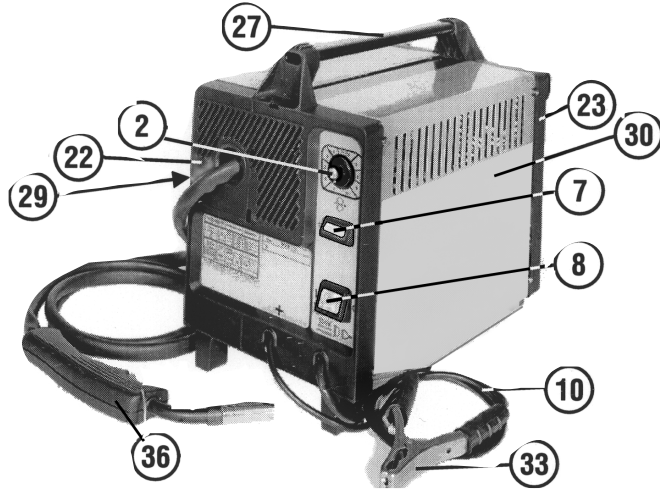




**PARTS LIST FOR
GASLESS MIG WELDERS
PMG100 & PMG110**

Origin Date: 060696
Issue Date: 060696

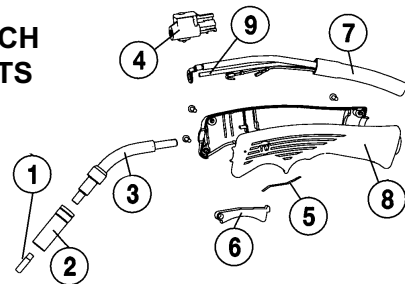
Revision No: 1
Revision Date: 010100



Common Parts for Models PMG100 & PMG110

Item	Part No	Description	Item	Part No	Description
1	120/112363	potentiometer	24	120/422257	wire feed knob
2	120/112125	potentiometer knob	25	120/452022	spring
3	120/112185	rectifier protection	26	120/452065	reel spring
4	120/112072	rectifier	27	120/422497	handle
6	120/122525	thermostat	28	120/644065	bottom
7	120/122400	switch	29	120/650040	door
8	120/112379	switch	30	120/650004	side panel
10	LS/10	lead set	31	120/712045	mask lens *
12	120/153023	wire feed motor	32	120/712139	hammer-brush *
13	120/164131	reactance	33	120/712001	earth clamp
15	120/232105	pressure roller	34	120/712207	mask *
16	120/322126	roll support	35	120/722529	wire feed roller
17	120/322127	torch fixing casing	39	120/990097	gas hose
18	120/322128	pressure roll bracket	43	120/990286	gear kit *
19	120/322172	spindle	47	120/122527	fuse, 1.6A
20	120/322173	reel ring nut			* Not illustrated.
21	120/322174	reel handwheel			
23	120/322447	back panel			

TORCH PARTS



Common to PMG100 & PMG110

Item	Part No	Description
T1	120/722552	contact tip
T2	120/722149	cylindrical nozzle
T3	120/990277	insulated swan neck
T4	120/990464	torch connection assy
T5	120/452087	contact spring
T6	120/322295	push button
T8	120/990465	complete handle
T9	120/722077	wire guide hose

Model PMG100 only

36	120/742403	torch complete
T7	120/742416	cable group

Model PMG110 only

36	120/742404	torch complete
T7	120/742414	cable group

Model PMG100 only

Item	Part No	Description
5	120/112289	control card
14	120/164340	transformer
22	120/322446	front panel
36	120/742403	torch

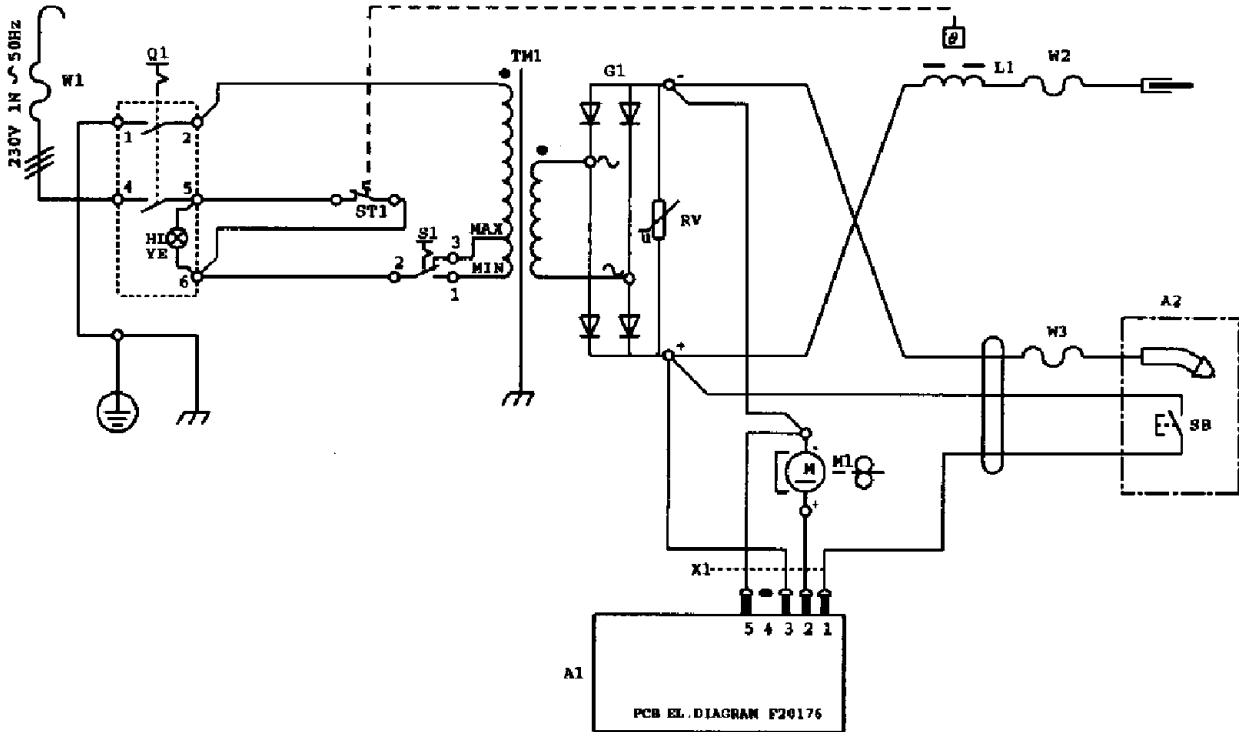
Model PM110 only

Item	Part No	Description
5	120/114182	control card
14	120/164343	transformer
22	120/322443	front panel
36	120/742404	torch



**ELECTRICAL DIAGRAM
FOR
GASLESS MIG WELDERS
PMG100 & PMG110**

PMG100



PMG110

