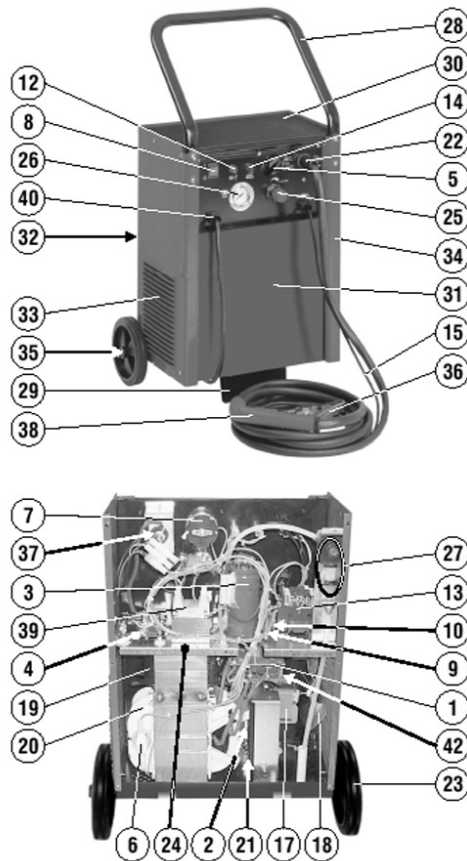


Parts Information: Plasma Cutter 6mm Capacity 230V/1ph Model No: PL60/1.V3



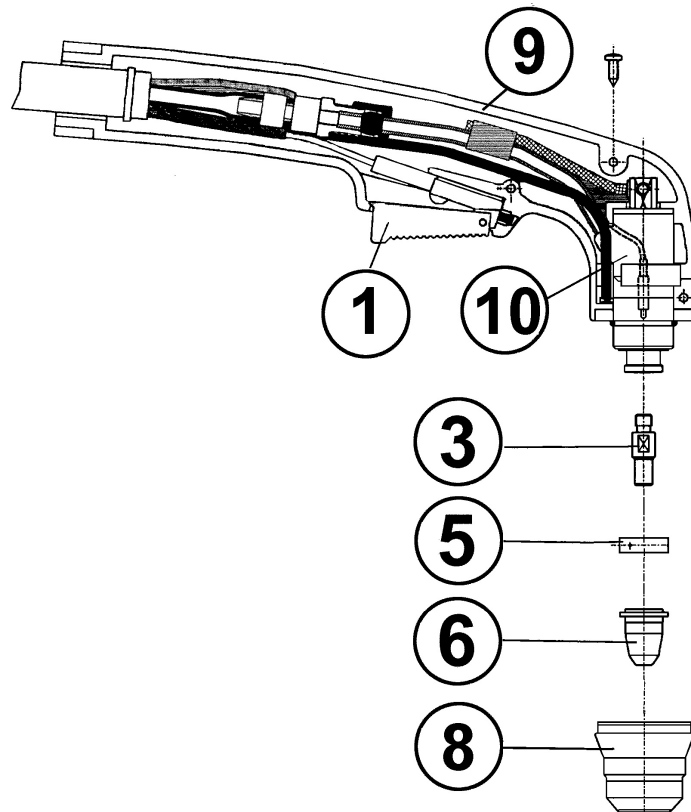
Item	Part No.	Description
1	120.112695	Rectifier
2	120.112883	Resistance
3	120.112854	Capacitor 350vdc 9935 110x65
4	120.114318	Control
5	120.323101	Switch Knob Set
6	120/122329	Thermostat
7	120/122347	Switch
8	120/122381	Switch, Green Rocker
9	120/122403	Fuse Holder (Glass Type Fuse - Clips In)
10	541-4404	Fuse Glass 1.6Amp 250V Quick Acting 5x20
--	120/122497	Electro-Valve 24V (NOT SHOWN)
12	120/122594	Lamp, Yellow, Slim, 24V
13	120/122694	Contactora
14	120.122909	Lamp, Pilot, Slim, 24V
15	120.123422	Cable 6mmq 3M
17	120/152110	Motor, Fan
18	120/152111	Fan Blade
19	120.169376	Reactance
20	120.169262	Transformer 225V
21	120.116151	Wire Resistance
22	120/322148	Cable Bushing

Item	Part No.	Description
23	120/322198	Wheel
24	120.483255	Diaphragm
25	120/602019	Air Regulator
26	120.602326	Manometer
27	120/602040	Air Filter
28	120/644284	Handle
29	120/644285	Front Panel
30	120.644528	Cover
31	120.649531	Front Panel
32	120.650046	Back Panel
33	120.650059	Cover
34	120/650060	Top Cover
35	120.681147	Wheel Axle
36	120/712001	Clamp, Earth (Black)
37	120.722388	Torch Connection
38	120/742065	Plasma Torch (1999 Model - Marked S45)
39	120/169122	Auxiliary Transformer
40	120/990046	Bushing & Nut, Cable
--	120/802143	Magnetic Strip (NOT SHOWN)
42	120/112513	Varistor

NOTE: It is our policy to continually improve products and as such we reserve the right to alter data, specifications and component parts without prior notice.

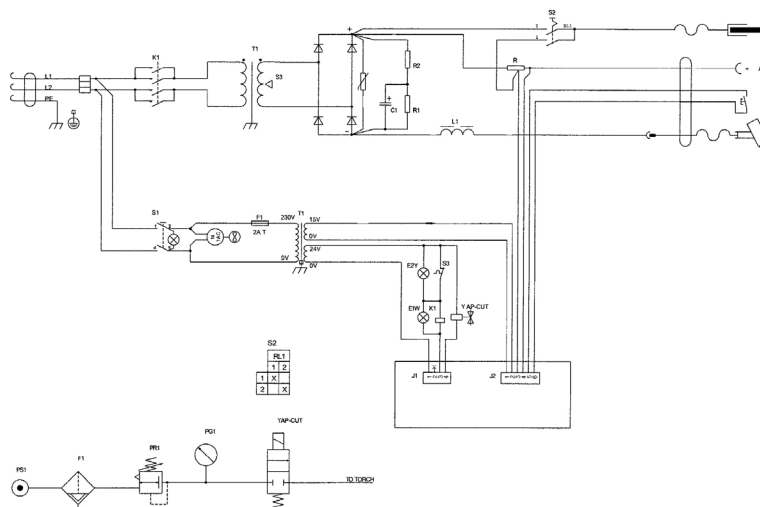
IMPORTANT: No liability is accepted for incorrect use of product.

WARRANTY: Guarantee is 12 months from purchase date, proof of which will be required for any claim.



Item	Part No.	Description
1	120/722677	Push Button
--	120/802128	Spacer Pack Of 5 (NOT SHOWN)
3	120/802428	Electrode Long Pack Of 5
5	120/802422	Diffuser Pack Of 5
6	120/802429	Nozzle Long Pack Of 5
8	120/802425	Torch Safety Cap Pack Of 2
9	120/742000	Complete Handle
10	120/742036	Torch Head Assembly

Item	Part No.	Description
--	168.305375	Switch Red (NOT SHOWN)
--	120/802420	Electrode Short Low Power Pack Of 5 (NOT SHOWN)
--	120/802423	Nozzle Short Low Power Pack Of 5 (NOT SHOWN)
--	120/802424	Nozzle Short High Power Pack Of 5 (NOT SHOWN)
--	120.742474	Torch Head Assembly (NOT SHOWN)



NOTE: It is our policy to continually improve products and as such we reserve the right to alter data, specifications and component parts without prior notice.

IMPORTANT: No liability is accepted for incorrect use of product.

WARRANTY: Guarantee is 12 months from purchase date, proof of which will be required for any claim.