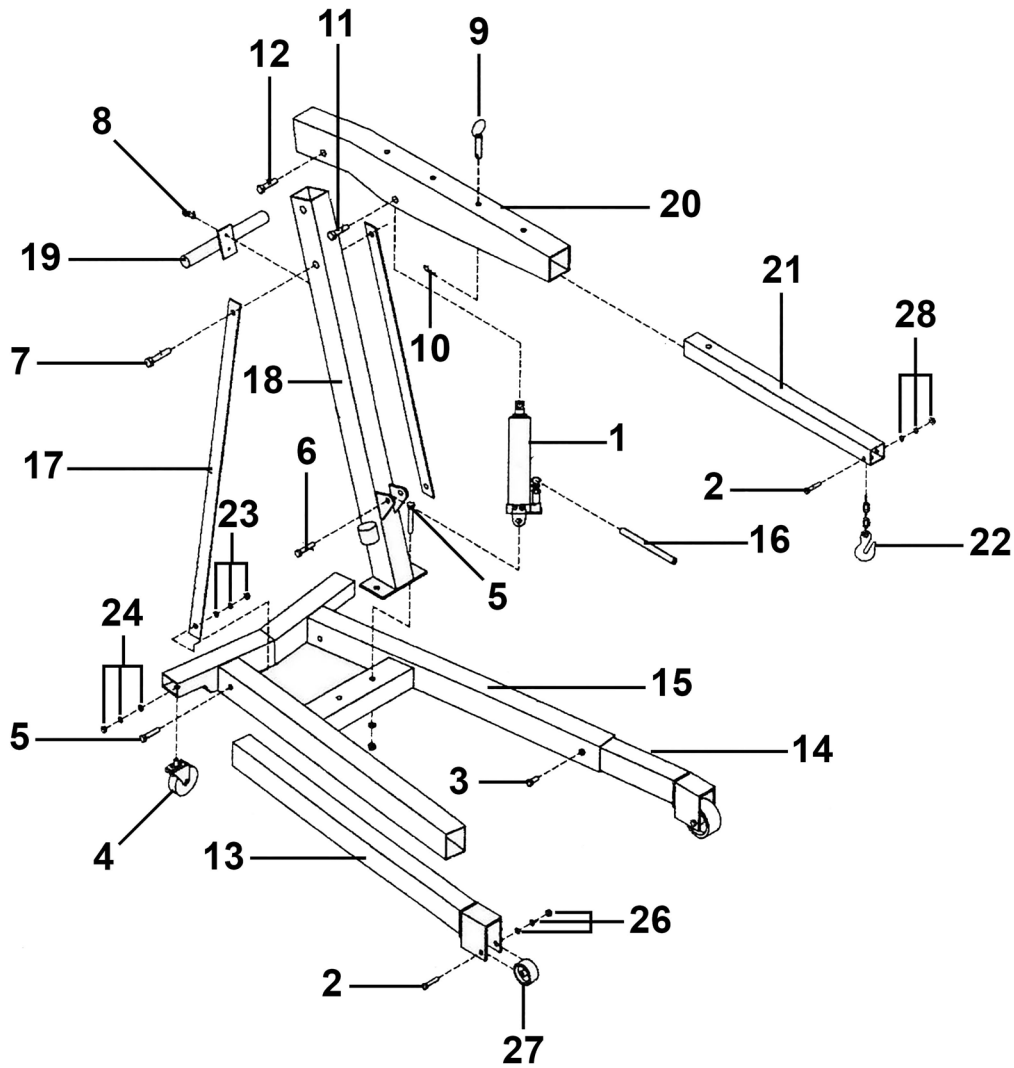


Parts Information:  
**Fixed Frame Engine Crane with Extendable  
 Legs 3 Tonne**  
**Model No: PH30.V2**



Item	Part No.	Description
1	PH30.01	Hydraulic Ram for PH30
2	HHB16100.S	Hex Head Bolt M16 x 100mm
3	PH30-V2-03	Bolt M12 x 30
4	PH30-V2-04	Wheel,Swivel Castor,Single Bolt
5	HHB18110.S	Hex Head Bolt M18 x 110mm
6	PH30-V2-06	Hex Head Bolt M20 x 100mm
7	HHB16120.S	Hex Head Bolt M16 x 120mm
8	PH30-V2-08	Bolt M8 x 20
9	PH30-V2-09	Pin
10	PH30-V2-10	'R' Pin
11	HHB22130.S	Hex Head Bolt M22 x 130mm
12	HHB20130.S	Hex Head Bolt M20 x 130mm
13	PH30-V2-13	Leg (Right)
14	PH30-V2-14	Leg (Left)
15	PH30-V2-15	Base

Item	Part No.	Description
16	PH30-V2-16	Jack Handle
17	PH30-V2-17	Brace
18	PH30-V2-18	Upright
19	PH30-V2-19	Handle
20	PH30-V2-20	Boom
21	PH30-V2-21	Ext Jib
22	PH30-V2-22	Chain & Hook
23	PH30-V2-23	Washer/Spring Washer/Nut (M16)
24	PH30-V2-24	Washer/Spring Washer/Nut (M16)
26	PH30-V2-26	Washer/Spring Washer/Nut
27	PH30-V2-27	Wheel,Front Fixed (w/Bearing)
28	PH30-V2-28	Washer/Spring Washer/Nut (M16)
--	PH30-V2-29	Washer/Spring Washer/Nut (M20) (Not Shown)
--	PH30-V2-30	Washer/Spring Washer/Nut (M22) (Not Shown)

**NOTE:** It is our policy to continually improve products and as such we reserve the right to alter data, specifications and component parts without prior notice. There may be alternative versions of this product, please contact us should you require this information.

**IMPORTANT:** No liability is accepted for incorrect use of product. Spare parts must be fitted by a competent person

**WARRANTY:** Guarantee is 12 months from purchase date, proof of which will be required for any claim.