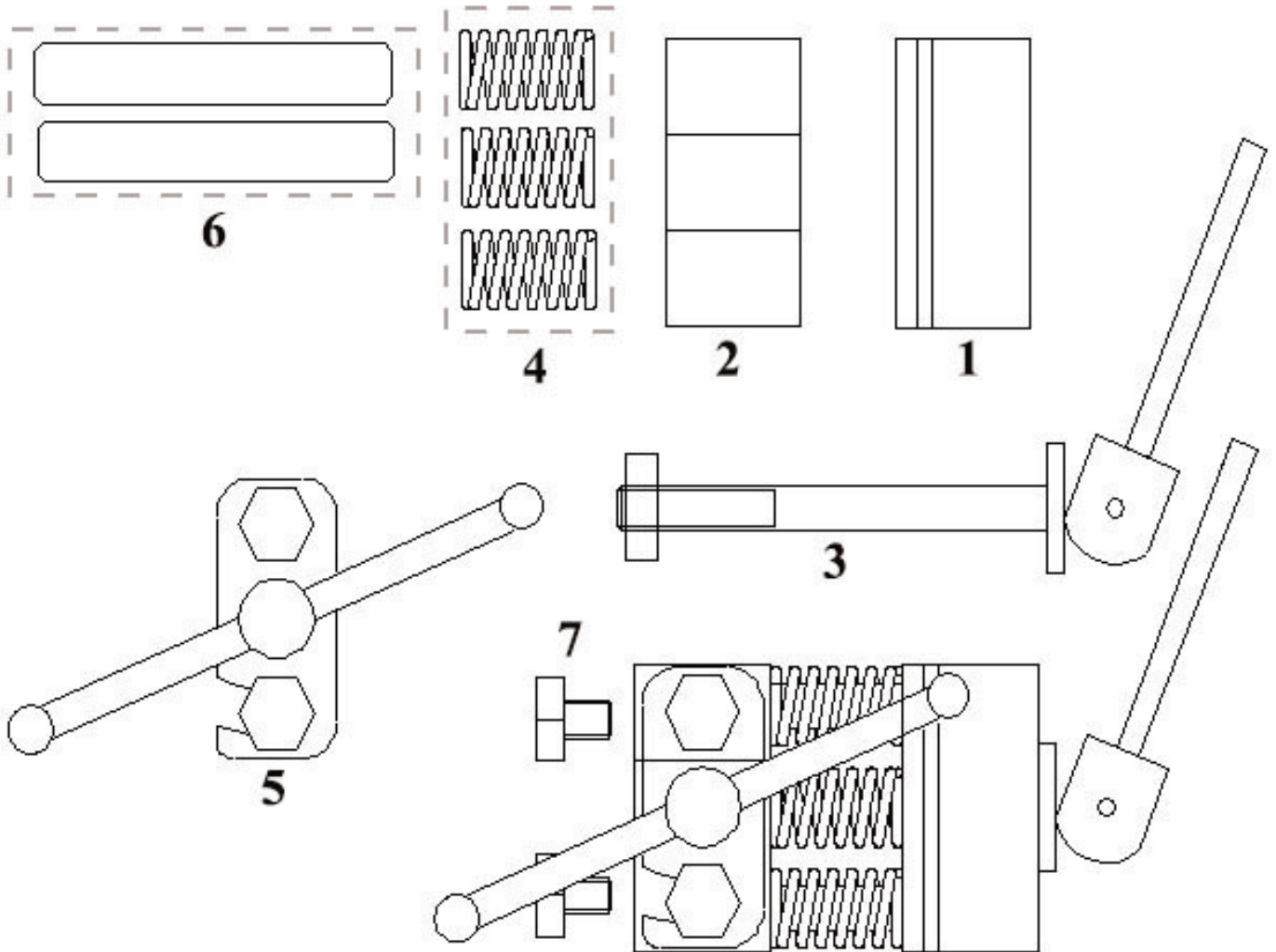




Parts Information:
Pipe Flaring Kit 3/16" SAE, 4.75mm SAE & DIN
Model No: PFT/02.V2



Item	Part No.	Description
1	PFT02.V2-01	MOVING JAW
2	PFT02.V2-02	FIXED JAW
3	PFT02.V2-03	CAM
4	PFT02.V2-04	RELEASE SPRINGS (SET OF 3)
5	PFT02.V2-05	LOCK BAR & BOLTS
6	PFT02.V2-06	GUIDE BOLTS (SET OF 2)
7	PFT02.V2-07	STOP BOLTS
--	PFT-DP01	4.75 & 3/16" SAE DIN DIE & PUNCH SET (NOT SHOWN)
--	PFT-DP02	1/4" SAE DIE & PUNCH SET (NOT SHOWN)
--	PFT-DP03	5/16" SAE DIE & PUNCH SET (NOT SHOWN)

Item	Part No.	Description
--	PFT-DP04	3/8" SAE DIE & PUNCH SET (NOT SHOWN)
--	PFT-DP05	1/2" SAE DIE & PUNCH SET (NOT SHOWN)
--	PFT-DP07	6MM SAE DIE & PUNCH SET (NOT SHOWN)
--	PFT-DP08	8MM SAE DIE & PUNCH SET (NOT SHOWN)
--	PFT-DP09	10MM SAE DIE & PUNCH SET (NOT SHOWN)
--	PFT-DP10	12MM SAE DIE & PUNCH SET (NOT SHOWN)
--	PFT-DP11	6MM DIN DIE & PUNCH SET (NOT SHOWN)
--	PFT-DP12	8MM DIN DIE & PUNCH SET (NOT SHOWN)
--	PFT-DP13	10MM DIN DIE & PUNCH SET (NOT SHOWN)
--	PFT-DP14	12MM DIN DIE & PUNCH SET (NOT SHOWN)

NOTE: It is our policy to continually improve products and as such we reserve the right to alter data, specifications and component parts without prior notice.

IMPORTANT: No liability is accepted for incorrect use of product.

WARRANTY: Guarantee is 12 months from purchase date, proof of which will be required for any claim.

Sealey Group, Kempson Way, Suffolk Business Park, Bury St Edmunds, Suffolk. IP32 7AR



01284 757500



01284 703534



sales@sealey.co.uk



www.sealey.co.uk