

Item	Part No.	Description
1	GSM610.S	GRUB SCREW M6x10 (SINGLE)
2	PDM170F-1-02	RACK COLLAR
3	PDM260F-1-18	GEAR HELICAL
4	PDM170F-1-04	CRANK
6	PDM170F-1-06	TABLE
7	PDM240F-1-07	TABLE CLAMP
8	PDM170F-1-08	SCREW HEX M16X20-35
9	PDM170F-1-09	TABLE ARM
10	PDM125B-1-10	BASE

Item	Part No.	Description
11	PDM125B-1-11	COLUMN SUPPORT
12	SS1040.S	HEX HEAD SET SCREW M10x40mm SINGLE
13	GSM1012.S	GRUB SCREW M10x12 (SINGLE)
14	PDM125B-1-14	COLUMN TUBE
15	PDM125B-1-15	RACK
16	PDM260F-1-17	COLUMN CLAMP
17	PDM170F-1-17	TABLE SUPPORT
18	PDM155B-1-18	WORM ELEVATION
19	PDM260F-1-16	GEAR PIN

NOTE: It is our policy to continually improve products and as such we reserve the right to alter data, specifications and component parts without prior notice.

IMPORTANT: No liability is accepted for incorrect use of product.

WARRANTY: Guarantee is 12 months from purchase date, proof of which will be required for any claim.



Parts Information:
**Pillar Drill Bench 16-Speed 1050mm Height
 230V
 Model No: PDM125B**

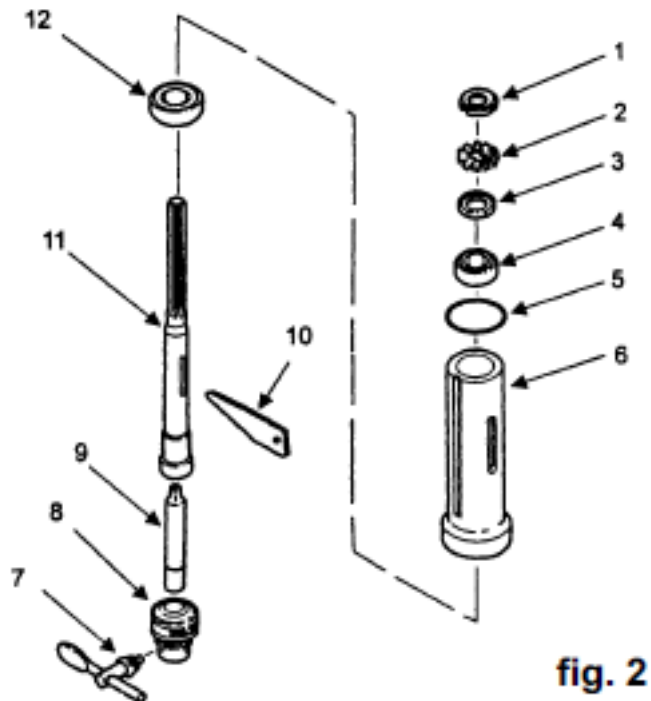


fig. 2

Item	Part No.	Description
1	PDM170F-2-01	NUT LOCKING
2	PDM170F-2-02	RING LOCKING
3	PDM170F-2-03	CIRCLIP
4	B/6201-2RS	BEARING 6201-2RS
5	PDM170F-2-05	RUBBER WASHER
6	PDM170F-2-06	TUBE QUILL

Item	Part No.	Description
7	GDM92B/44	CHUCK KEY
8	PDM170F-2-08	CHUCK J3 1-16mm
9	PDM170F-2-09	ARBOR
10	PDM170F-2-10	KEY DRIFT
11	PDM170F-2-11	SPINDLE
12	B/6204-2RS	BEARING 6204-2RS

NOTE: It is our policy to continually improve products and as such we reserve the right to alter data, specifications and component parts without prior notice.

IMPORTANT: No liability is accepted for incorrect use of product.

WARRANTY: Guarantee is 12 months from purchase date, proof of which will be required for any claim.

Sealey Group, Kempson Way, Suffolk Business Park, Bury St Edmunds, Suffolk. IP32 7AR



01284 757500



01284 703534



sales@sealey.co.uk



www.sealey.co.uk

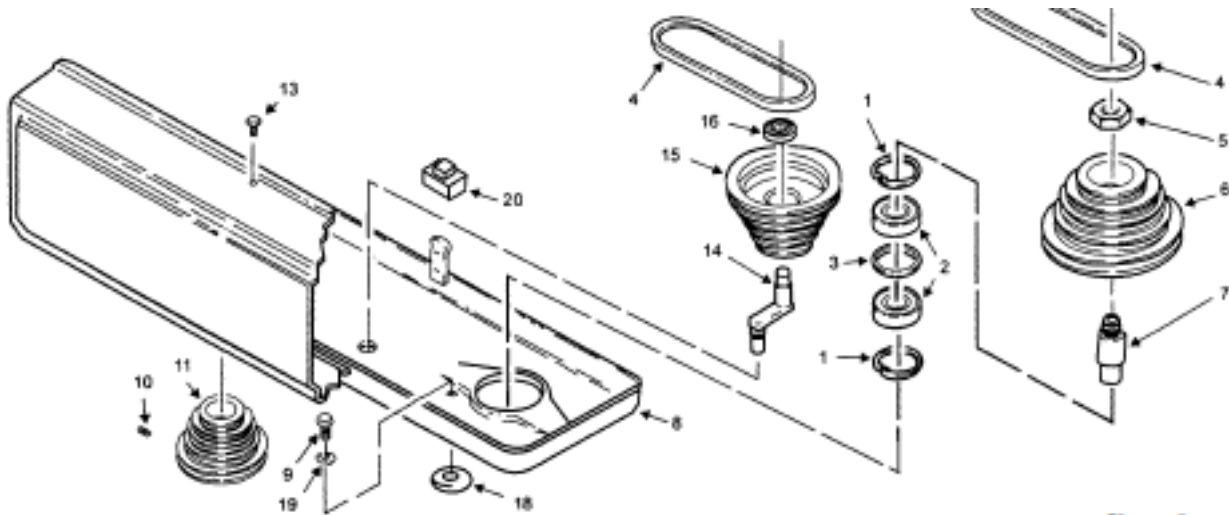


fig. 3

Item	Part No.	Description
1	PDM170F-3-01	RETAINING RING
2	B/6203-2RS	BEARING 6203-2RS
3	PDM170F-3-03	BEARING SPACER
4	V/M24	V-BELT (ID-600) M24
5	PDM170F-3-05	PULLEY HALF NUT
6	PDM170F-3-06	SPINDLE PULLEY
7	PDM170F-3-07	PULLEY INSERT
8	PDM170F-3-08	PULLEY GUARD(SO)
9	PDM260F-3-10	SCREW RD HD WASHER M6X1.0-16

Item	Part No.	Description
10	GSM815.S	GRUB SCREW M8x15 (SINGLE)
11	PDM170F-3-11	MOTOR PULLEY
13	MSP512.SB	MACHINE SCREW PAN HEAD PHILLIPS M5x12mm
14	PDM240F-3-14	IDLER PIVOT
15	PDM170F-3-15	CENTRE PULLEY
16	B/6202ZZ	BEARING 6202ZZ
18	PDM155B-3-18	FOAM WASHER
19	PDM170F-3-19	LOCK WASHER EXT M16
20	PDM.MS	MICRO SWITCH FOR PDM DRILLS

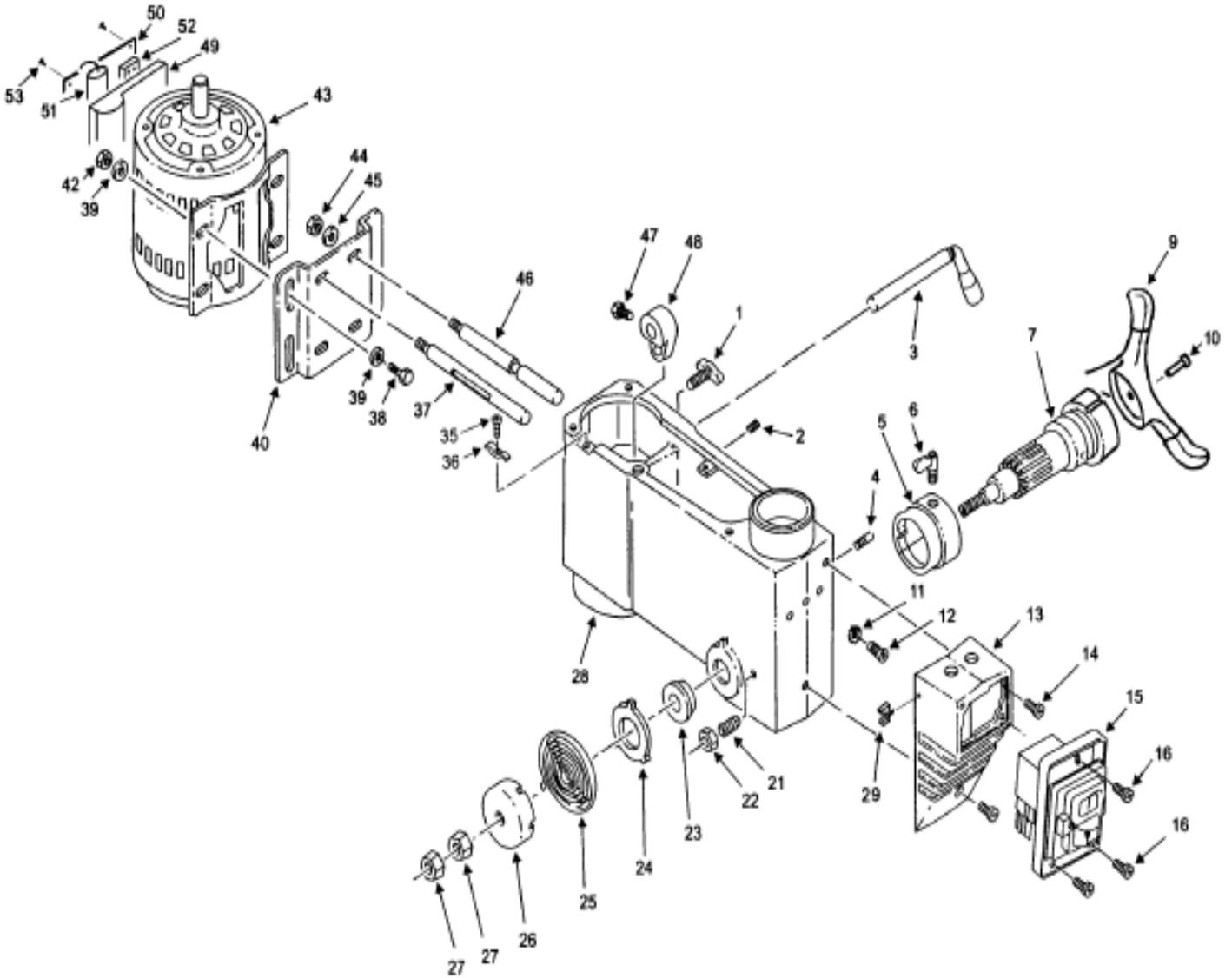
NOTE: It is our policy to continually improve products and as such we reserve the right to alter data, specifications and component parts without prior notice.

IMPORTANT: No liability is accepted for incorrect use of product.

WARRANTY: Guarantee is 12 months from purchase date, proof of which will be required for any claim.



Parts Information:
Pillar Drill Bench 16-Speed 1050mm Height
230V
Model No: PDM125B



NOTE: It is our policy to continually improve products and as such we reserve the right to alter data, specifications and component parts without prior notice.

IMPORTANT: No liability is accepted for incorrect use of product.

WARRANTY: Guarantee is 12 months from purchase date, proof of which will be required for any claim.

Sealey Group, Kempson Way, Suffolk Business Park, Bury St Edmunds, Suffolk. IP32 7AR



01284 757500



01284 703534



sales@sealey.co.uk



www.sealey.co.uk



Parts Information:
**Pillar Drill Bench 16-Speed 1050mm Height
230V
Model No: PDM125B**

Item	Part No.	Description
1	PDM170F-4-01	MOTOR ADJUSTMENT KNOB
2	GSM1012.S	GRUB SCREW M10x12 (SINGLE)
3	PDM170F-4-03	BELT TENSION HANDLE
4	PDM170F-4-04	PIN, STOP
5	PDM170F-4-05	DEPTH STOP RING
6	PDM155B-4-06	LOCK DEPTH SCREW
7	PDM170F-4-07	HUB
9	PDM170F-4-09	HANDLE
10	SCB820.SB	SOCKET HEAD CAP SCREW M8x20 BLACK
11	PDM170F-4-11	LOCK WASHER M5
12	MSP58.SB	MACHINE SCREW PAN HEAD PHILLIPS M5x8mm
13	PDM170F-4-13	SWITCH BOX
14	MSP58.SB	MACHINE SCREW PAN HEAD PHILLIPS M5x8mm
15	PDM170F-4-15	SWITCH
16	PDM260F-4-29	SCREW PAN HEAD M24X1.4-8
21	PDM170F-4-21	SCREW SET SPECIAL 10X1.5-27
22	PDM170F-4-22	HEX NUT M10X1.5-27
23	PDM170F-4-23	SPRING SEAT
24	PDM170F-4-24	SPRING RETAINER
25	PDM170F-4-25	SPRING TORSION
26	PDM170F-4-26	SPRING CAP
27	PDM170F-4-27	M12 X 1.5 FINE PITCH HALF NUT

Item	Part No.	Description
28	PDM170F-4-28	HEAD
29	PDM170F-4-29	CHUCK KEY CLIP
35	PDM170F-4-35	SCREW
36	PDM170F-4-36	USE PDM155B-4-36 CORD CLAMP
37	PDM155B-4-36	CORD CLAMP
38	PDM170F-4-37	MOTOR BRACKET SUPPORT
39	SS825.SB	HEX HEAD SET SCREW M8x25mm SINGLE BLACK
39	PDM155B-4-39	WASHER
40	PDM170F-4-40	MOTOR MOUNT
42	SN8.SB	STEEL NUT M8 BLACK (SINGLE)
43	PDM125B-4-43	MOTOR
44	PDM170F-4-44	HEX NUT M12X1.75
45	PDM170F-4-45	LOCKWASHER 1/2
46	PDM170F-4-46	MOTOR BRACKET SUPPORT
47	PDM170F-4-47	SCREW HEX HD M8X1.25-16
48	PDM260F-4-02	ADJUSTING LEVER
49	PDM170F-4-49	TERMINAL BOX
50	PDM170F-4-49	TERMINAL BOX
51	C/100-250	CAPACITOR 100mfd 250vac (60x40)
52	PDM155B-4-52	TERMINAL BLOCK
53	MSP410.SB	MACHINE SCREW PAN HEAD PHILLIPS M4x10mm
--	DPG95	DRILL PRESS GUARD 55mm (NOT SHOWN)

NOTE: It is our policy to continually improve products and as such we reserve the right to alter data, specifications and component parts without prior notice.

IMPORTANT: No liability is accepted for incorrect use of product.

WARRANTY: Guarantee is 12 months from purchase date, proof of which will be required for any claim.

Sealey Group, Kempson Way, Suffolk Business Park, Bury St Edmunds, Suffolk. IP32 7AR



01284 757500



01284 703534



sales@sealey.co.uk



www.sealey.co.uk